

ILLUSTRATED PARTS MANUAL

FOR

LAVAPRESS

LP 581

LP 582

LP 583

Serial N°	
Wiring Diagram	
Hydraulic Diagram	

1998	01	DE
1999	02	DA
2000	03	EN ●
2001	04	ES
2002	05	FI
2003	06	FR
2004	07	IT
2005	08	NL
2006 ●	09	NO
2007	10	PT
2008	11	RU
2009	12 ●	SE

LAVATEC

L A V A T E C
Wäschereimaschinen
GMBH & CO. KG
Wannenackerstraße 53
D - 74 078 Heilbronn
P . O . B . 2 5 6 5
D - 74 015 Heilbronn
Phone 0 71 31 / 2980
Fax 0 71 31 / 2 30 51

9. SPARE PARTS LIST

ORDERING SPARE PARTS

When ordering spare parts, please include the following information with your order:

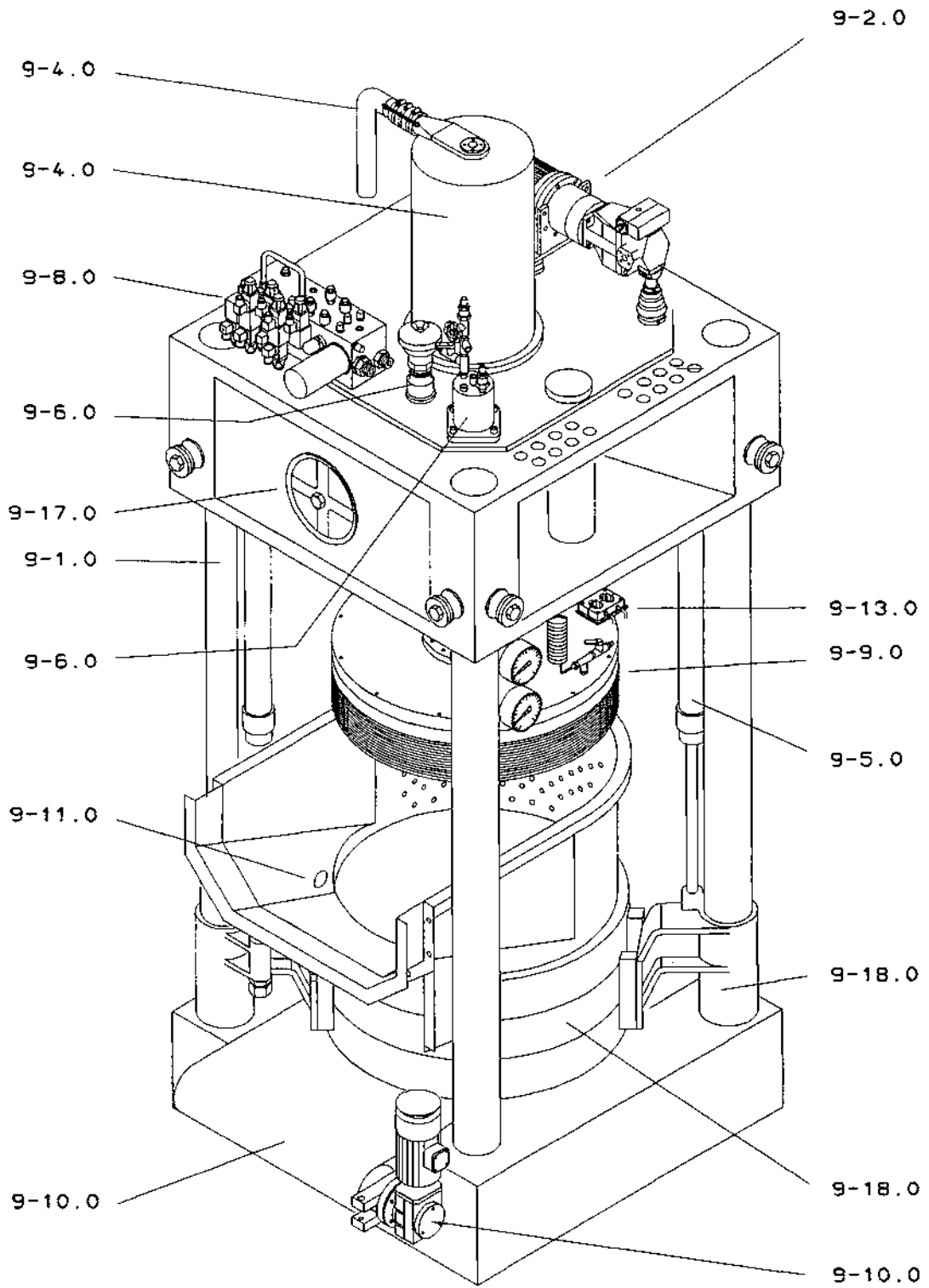
1. Model and serial number of the equipment (located on the name plate).
2. Part number, part name, and quantity required. Use the manual to facilitate ordering.
3. When ordering electrical motors please include complete name plate data, motor manufacturer, and wiring diagram number.

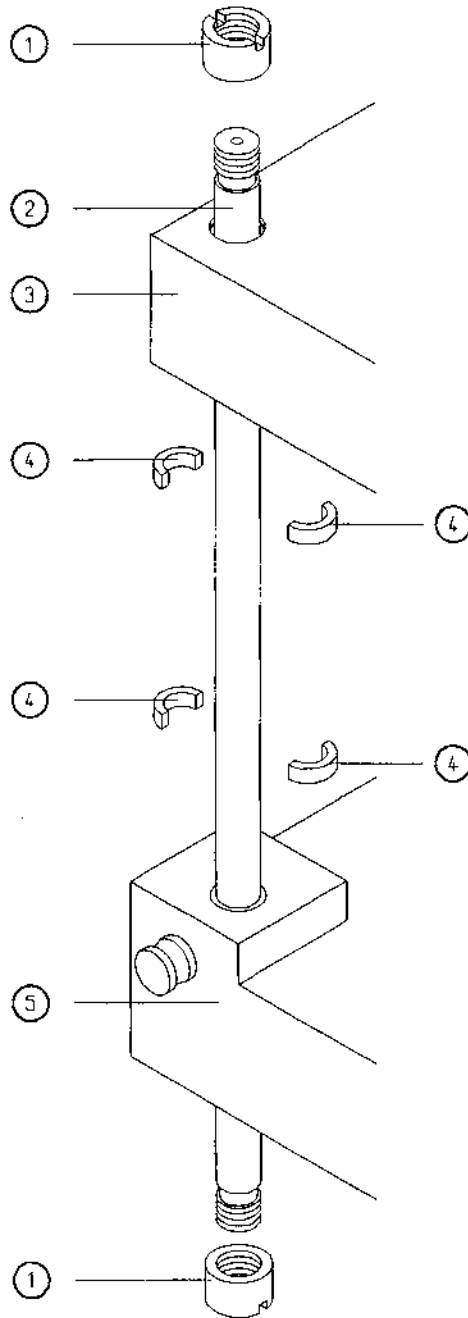
Our service and service parts department is staffed with specially trained personnel to assist you with your needs. Please do not hesitate to call if we can be of any assistance.

SUBJECT TO CHANGES WITHOUT NOTIFICATION

9.1 TABLE OF CONTENTS

	Page
Table of contents	9-0.1
Overview	9-0.2
Column Assembly	9-1.0
Pump Assembly, Proportional Pump	9-2.0
Free	9-3.0
Main Cylinder Piping	9-4.0
Basket Cylinder Piping	9-5.0
Air Filter - Heat Exchanger	9-6.0
Free	9-7.0
Control Block	9-8.0
Membrane Assembly and Pressing Pressure Control	9-9.0
Conveyor Assembly, Tensioner Conveyor Motor	9-10.0
Photocells	9-11.0
Free	9-12.0
Control Rods and Supports	9-13.0
Control Elements	9-14.0
Controls	9-15.0
Water Tanks	9-16.0
Oil Tank	9-17.0
Basket	9-18.0
Panels Type LP 581	9-19.0
Panels Type LP 582	9-20.0
Panels Type LP 583	9-21.0
Chute	9-22.0



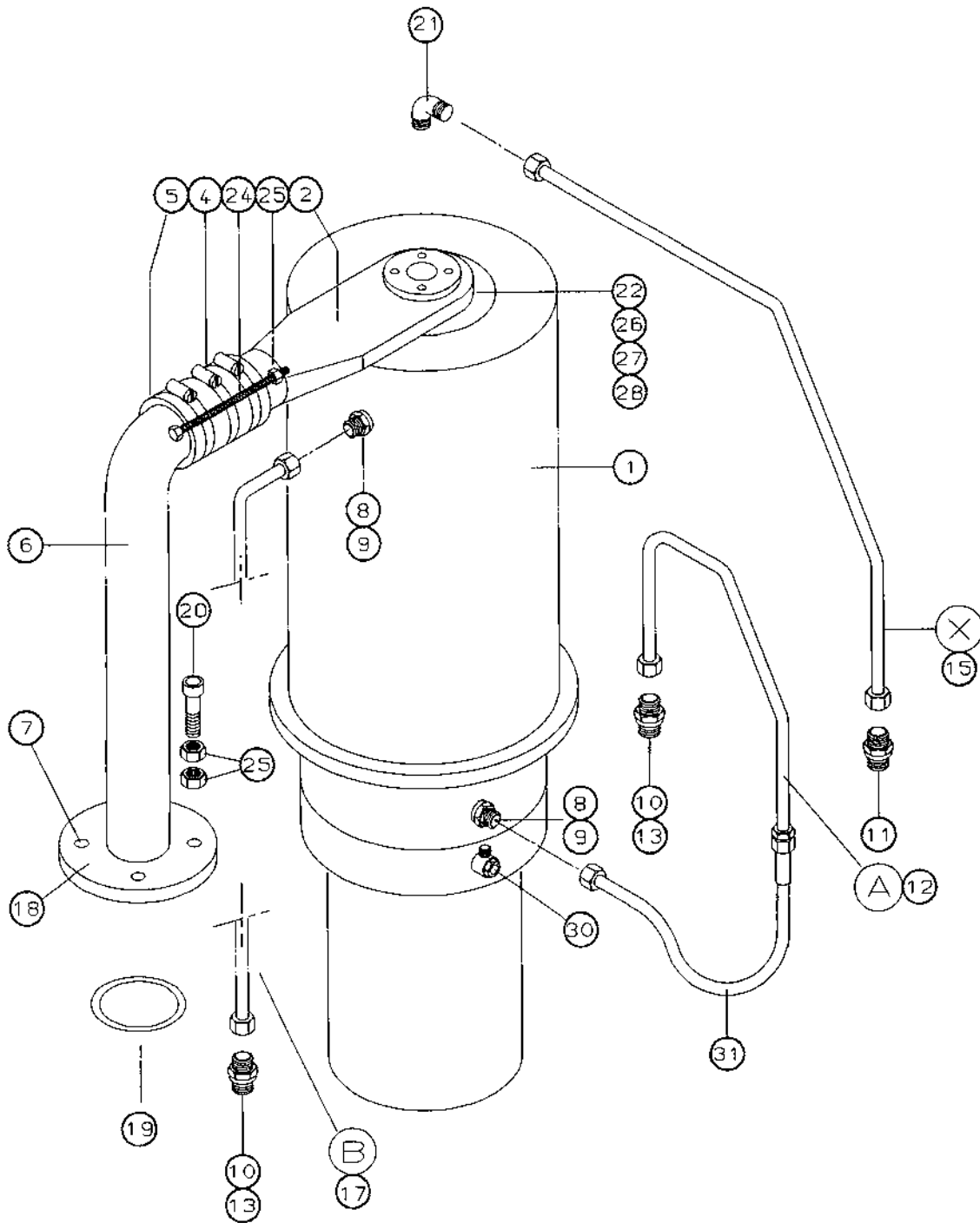


Type		Spare Parts List		Page
LP 581-582-583		Column Assembly		9-1.1
Pos.	Part No.	Part Name	Description	Quant.
1	213 289-3	Nut, Groove		8
2	213 287-3	Column	Type 581	4
	213 486-2	Column	Type 582	4
	213 577-2	Column	Type 583	4
3	213 165-1	Tank, Upper		1
4	213 288-3	Ring, Pressure Set		8
5	213 202-1	Base		1

Type LP 581-582-583		Spare Parts List Pump Assembly Proportional Pump		Page 9-2.1
Pos.	Part No.	Part Name	Description	Quant.
1		Motor Indicate voltage and frequency	11 kW 1500 RPM	1
2	020 731	Bolt, Hex	DIN 933 M16x50	6
3	020 463	Washer, Tension	DIN 6796 16	9
4	213 479-4	Spacer		1
5	112 693	Coupling, Spidex	R42-50/32- 48x75	1
6				
7	020 040	Nut, Hex	DIN 934 M16	3
8	020 054	Washer	DIN 125 B 17	4
9	112 656	Flange, Foot	PTFL 350	1
10	112 658	Ring, Damper	D 230/12	1
11	020 012	Bolt, Allen	DIN 912 M16x50	7
12	112 657	Bracket, Pump		1
13	121 325	Hose, Hydraulic	4SP25x1060 DK0S	1
14	020 104	Bolt, Hex	DIN 933 M10x35	4
15	028 155	O-Ring	39,92x3,53	1
16	111 768	Coupling	WSF34/30-PS OMD	1
17	112 646	Pump	A10VSO71DFLR 31R-PPA12N00	1
18	112 208	Coupling	EVGE 10 PLM ED	1

Type		Spare Parts List		Page
LP 581-582-583		Pump Assembly Proportional Pump		9-2.2
Pos.	Part No.	Part Name	Description	Quant.
19	112 712	Fitting, Tee	T 10-L	1
20	112 713	Fitting, Test	DKO	1
21	112 397	SAE Flange	FH 3006	2
22	028 320	O-Ring	56,75x3,53	1
23	213 176-4	Pipe, Suction		1
24	020 483	Bolt, Allen	DIN 912 M10x25	4
25	121 003	Clamp, Hose	DIN 3017 60-80/9	1
26	028 372	Bellow, Rubber	V6-352-130-150/13	1
27	121 230	Clamp, Hose		1
28	028 371	Grommet		1
29	121 008	Hose, Hydraulic	1SN16x1150 DKOL-90	1
30	112 086	Fitting, Banjo	SWVE 10-PLM	2
31	121 170	Hose, Hydraulic	381-9,5x1450	2
32	112 331	Adapter	7/16-20 UNF	1
33	111 035	Fitting, Straight ESVS	GE 8 LR 1/4"	1
34	111 993	Pressure Valve, Proportional	DBET-35/315	1
35	111 994	Plate, Connection	G 51/01	1
36	111 983	Fitting, Straight ESVS	GE 10-PLR-ED	2
37	111 979	Fitting, Elbow	EVW 10-PL	2
38	121 169	Hose, Hydraulic	381-9,5x400	1

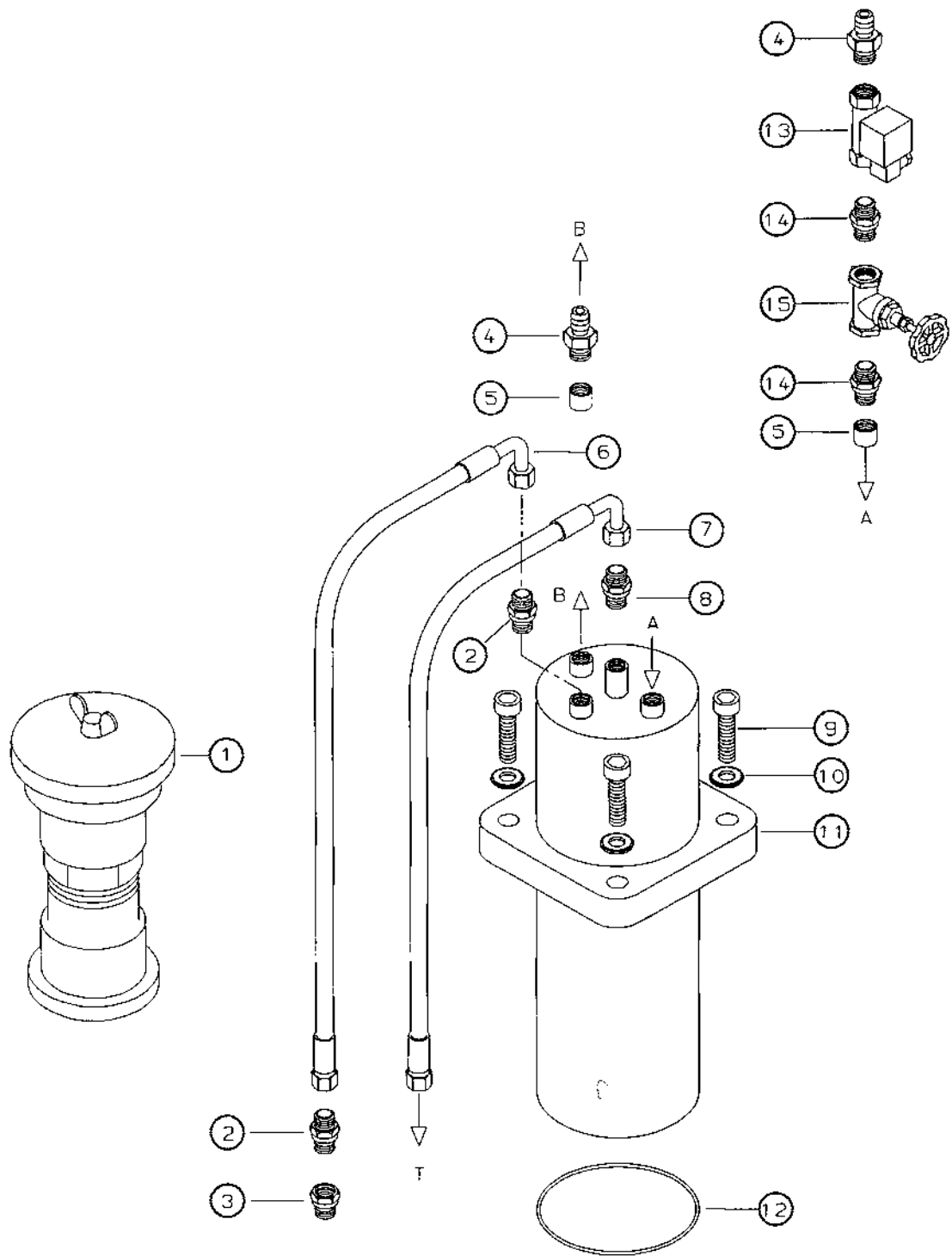
Type		Spare Parts List		Page
LP 581-582-583		Pump Assembly Proportional Pump		9-2.3
Pos.	Part No.	Part Name	Description	Quant.
39	111 024	Connection, Manometer	SMA 3-360	1
40	111 726	Fitting, Elbow	WH18 PLM KD OMD	1
41	111 025	Connection, Manometer	SMA 3-2500	2
42	111 047	Fitting		2
43	111 007	Manometer	0-400 bar	1
44	112 682	Manometer	0-60 bar	1
45	112 329	Fitting	EVT 8PLR 1/4	1
46	112 330	Fitting, Reducer	RI 1/8x1/4	1
47	020 383	Nut, Hex	DIN 934 M16 A2	2
48	110 425-4	Connection, Manometer		2
49	112 320	Converter, Pressure Test	0-10V/0-450B	1
50	112 321	Converter, Pressure Test	0-10V/0-50B	1
51	111 027	Fitting, Elbow	ESVS WE 8LLR MS	1
52	112 714	Hose, Hydraulic	2SN 10x230 DKO	1



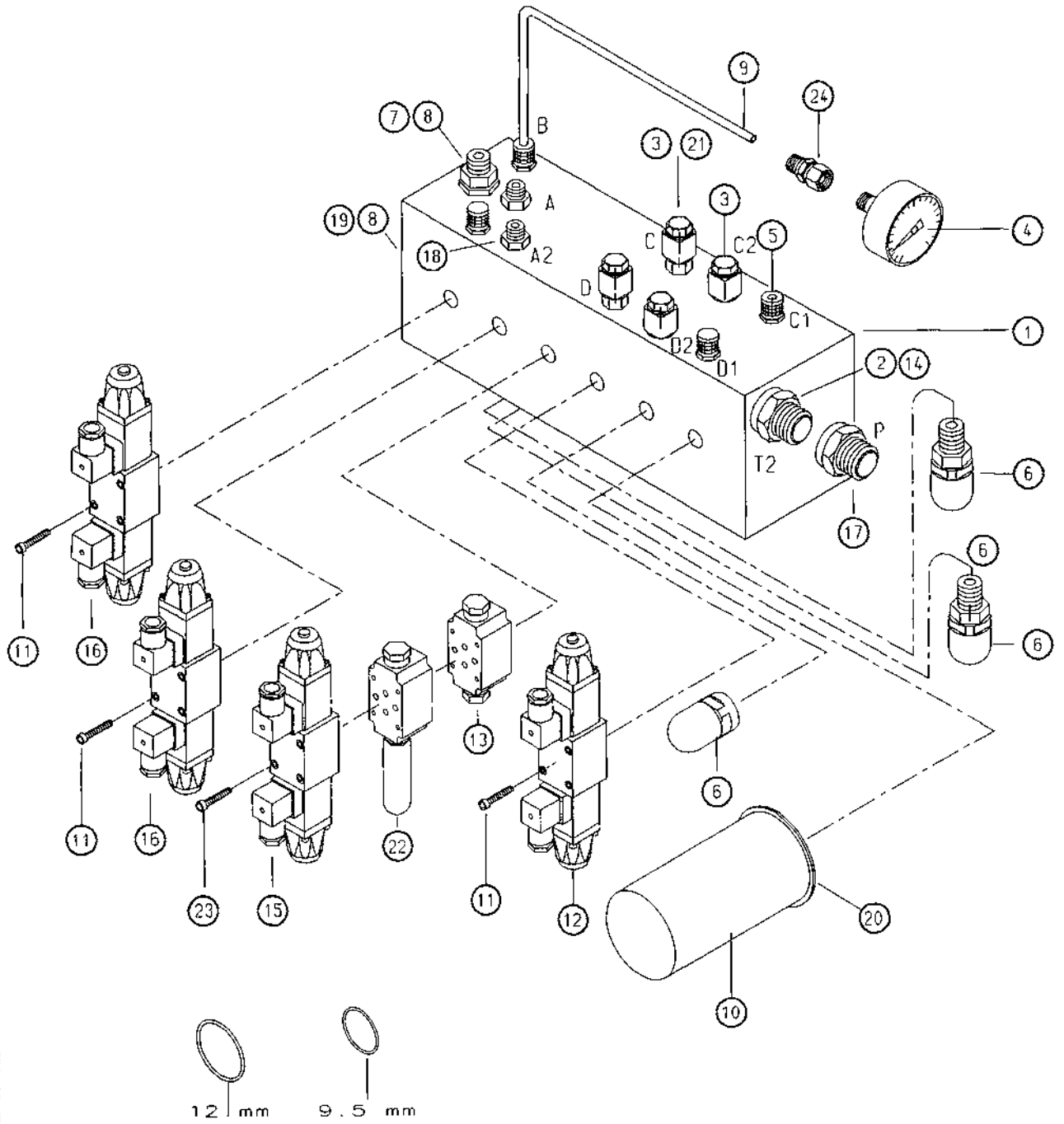
Type		Spare Parts List			Page
LP 581-582-583		Main Cylinder Piping			9-4.1
Pos.	Part No.	Part Name	Description	Quant.	
1	213 145-2	Cylinder	Type 581 400/380 Stroke 1320	1	
	213 470-2	Cylinder	Type 582 400x380 Stroke 1480	1	
	213 551-2	Cylinder	Type 583 400x380 Stroke 1680	1	
2	213 175-1	Adapter			
3					
4	121 001	Clamp, Hose	Torro 110-13-/12	3	
5	211 498--	Hose	100x8x110	1	
6	213 189-3	Pipe, Suction	Type 581	1	
	213 489-3	Pipe, Suction	Type 582	1	
	213 567-3	Pipe, Suction	Type 583	1	
7	020 113	Bolt, Hex	DIN 933 M10x25	4	
8	111 591	Fitting, Flare	F 40 XS 20-3/4"	2	
9	028 130	O-Ring for Pos. 8			
10	028 129	O-Ring for Pos. 13			
11	111 013	Fitting, Flare	F 40 XS 12-1/4"	1	
12	213 659--	Pipe, Lift	Type 581	1	
	213 659--	Pipe, Lift	Type 582	1	
	213 659--	Pipe, Lift	Type 583	1	
13	111 593	Fitting, Flare	F 40 XS 20-1/2"	3	
14					

Type		Spare Parts List			Page
LP 581-582-583		Main Cylinder Piping			9-4.2
Pos.	Part No.	Part Name	Description	Quant.	
15	213 408--	Pipe, Control X	Type 581	1	
	213 648--	Pipe, Control X	Type 582	1	
	213 642--	Pipe, Control X	Type 583	1	
16					
17	213 407--	Pipe, Pressing	Type 581	1	
	213 647--	Pipe, Pressing	Type 582	1	
	213 641--	Pipe, Pressing	Type 583	1	
18	210 096-4	Flange	BL 12x155	1	
19	028 011	O-Ring	d = 100x5	1	
20	020 403	Bolt, Hex	DIN 933 M10x100	2	
21	211 519-4	Fitting, Flare with Throttle	C 40 XS 12-1/4"	1	
22	111 577	Valve, Filling	NG80-880601.1	1	
23		Repair Kit for Cylinder Pos. 1	Indicate serial no.	1	
24	211 157--	Bar, Thread	M10x198	1	
25	020 171	Nut, Hex	DIN 934 M10	10	
26	020 008	Bolt, Allen	DIN 912 M8x25	4	
27	211 146-4	Flange	A 160 mm	1	
28	211 151-4	Seal	A 160x2	1	
29	111 687	Repair Kit for Filling Valve	880601.1	1	
30	111 037	Fitting, Banjo	WH8PLRKD	1	
31	121 332	Hose, Hydraulic	4SP DN20x650	1	

Type		Spare Parts List			Page
LP 581-582-583		Basket Cylinder Piping			9-5.1
Pos.	Part No.	Part Name	Description	Quant.	
1	111 680-2	Cylinder, Basket	Stroke 500	2	
2	111 014	Fitting, Elbow	WH-12-PSR KD	8	
3	111 016	Reducer	RI 1/2"x3/8"	2	
4	121 331	Hose, Hydraulic	2SN8x3000 DKOS	2	
5	121 009	Hose, Hydraulic	2SN8x2500 DKOS	2	
6	020 078	Boit, Allen	DIN 912 M12x50	8	
7	020 134	Washer, Tension	12	8	
8	211 090-4	Spacer	d = 50x5 SS	2	
9	020 556	Washer	DIN 125 23 SS	2	
10	020 555	Nut, Hex	DIN 439 M22 SS	2	
11	020 554	Nut, Hex	DIN 985 M22 SS	2	
12	213 596-2	Guide, Basket Divided	Alu	2	
13	111 508	Repair Kit for Basket Cylinder HZ 34573X	HZ 59643X	1	



Type		Spare Parts List			Page
LP 581-582-583		Air Filter and Heat Exchanger			9-6.1
Pos.	Part No.	Part Name	Description	Quant.	
1	111 389	Filter	NBF 25/3	1	
2	121 335	Fitting	XGE22LR 1/2"	2	
3	111 038	Reducer	R1-1EDx 1/2"	1	
4	030 005	Connector, Hose	1/2" Brass	2	
5	030 035	Connector, Straight	1/2" Brass	1	
6	121 133	Hose, Hydraulic	1SN DN 20x 1500 DKOL-90	1	
7	121 006	Hose, Hydraulic	1SN20x370 DKOL-90°	1	
8	111 018	Fitting	GE 22 PLR-ED	1	
9	020 168	Bolt, Allen	DIN 912 M10x30 SS	4	
10	020 097	Washer	DIN 125 10.5 A2	4	
11	112 681	Cooler, Oil	Type 9-01.21.5-2	1	
12	028 097	O-Ring	116x4	1	
13	111 796	Valve, Magnetic Water	1/2" 115V/60 Hz	1	
	111 648	Valve, Magnetic Water	1/2" 230V/50 Hz	1	
14	030 002	Fitting, Straight	1/2" Brass	2	
15	111 004	Valve, Manual	1/2" Brass	2	



Type		Spare Parts List		Page
LP 581-582-583		Control Block		9-8.1
Pos.	Part No.	Part Name	Description	Quant.
1	112 727	Block, Control		1
2	111 018	Fitting	GE 22 PLR-ED OMD	1
3	111 014	Fitting, Elbow	WH 12 PSR KD	4
4	111 007	Manometer	0-400 bar	1
5	111 023	Nipple, Test	EMA 3/R 1/4	6
6	111 190	Valve, Pressure	DBD S10 K13/315	3
7	111 593	Fitting	F40XS 20-1/2"	2
8	111 038	Reducer	RI-1-EDx1/2"	2
9	111 025	Line, Test	SMA 3x2000	1
10	111 388	Filter	PC 246 Mic10	1
11	020 802	Bolt, Allen	DIN 912 M6x40/12.9	12
12	112 742	Valve	4 WE 10C3X / C G24 N9	1
13	111 118	Valve, Check	Z 2 S6 B25X	1
14	111 017	Reducer	RI 1-EDx3/4"	1
15	111 123	Valve	4 WE 6J5X/AG24 NZ4	1
16	112 730	Valve	4 WE 10E 73-3X C G24 N9K4/A12	1
17	111 767	Fitting	GE 30 PSR-ED	1
18	111 013	Fitting	F40XS 12-1/4"	1
19	121 335	Fitting	XGE 22 LR 1/2	1

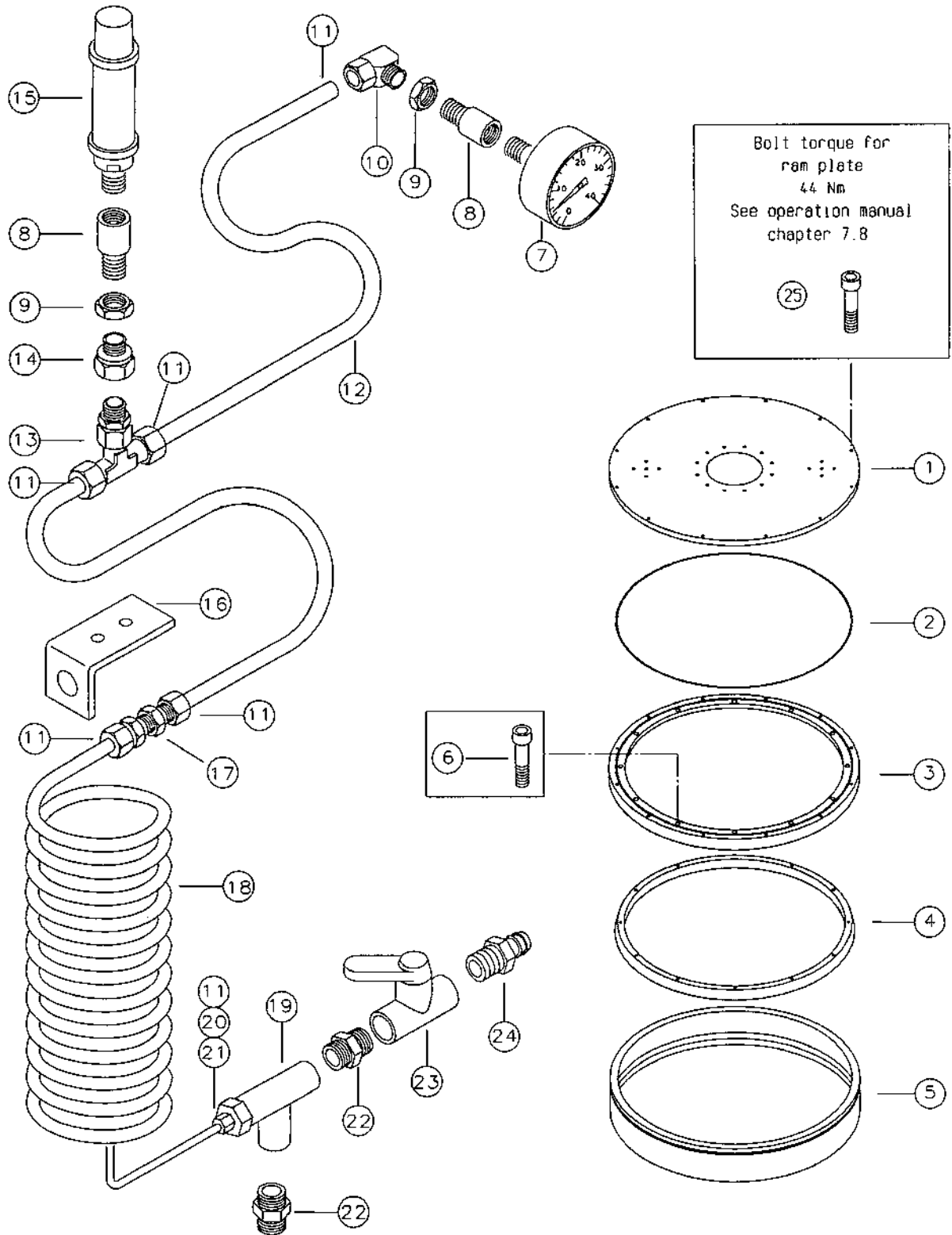
Type		Spare Parts List			Page
LP 581-58-583		Control Block			9-8.2
Pos.	Part No.	Part Name	Description	Quant.	
20	030 389	Fitting, Straight	M24x1,5	1	
21	111 016	Reducer	R1 1/2"x3/8"	2	
	028 109	O-Ring between Control Block and Valves	d = 9,25 mm		
	028 110	O-Ring between Control Block and Valves	d = 12 mm		
22	112 140	Valve, Pressure Reducing	ZDR6DB2-4x/150YM	1	
23	020 985	Bolt, Allen	DIN 912 M5x130	4	
24	111 047	Connection, Manometer		1	

TYPE LP 581-582-583

MEMBRANE ASSEMBLY
AND
PRESSING PRESSURE CONTROL

Page

9-9.0



Type LP 581-582-583		Spare Parts List Membrane Assembly and Pressing Pressure Control		Page 9-9.1
Pos.	Part No.	Part Name	Description	Quant.
1	213 237-2	Plate, Ram		1
2	005 704	O-Ring	6x3000	1
3	213 660-4	Ring, Outer	Bronze	1
4	212 385-4	Ring, Inner		1
5	211 618-4	Membrane	940x195	1
6	020 076	Bolt, Allen	DIN 912 M10x45 SS	12
7	112 682	Manometer	0-60 bar	1
8	110 425-4	Fitting, Manometer		2
9	020 383	Nut, Hex	DIN 934 M16 A2	2
10	111 027	Fitting, Elbow	WE 8 LLR MS	1
11	112 724	Sleeve	VSH8x2	6
12	006 101	Hose, PA	d = 8x2x5000	1
13	112 329	Fitting-Tee	EVT8PLR 1/4MS	1
14	112 330	Reducer	R1 1/4x1/4	1
15	112 321	Converter, Pressure Test		1
16	210 482-4	Bracket	BL 3x35x80	1
17	111 056	Fitting, Bulkhead Straight	SV 8 PL	1
18	006 100	Hose, Spiral	4x2x8	1
19	030 503	Fitting-Tee	1/2"	1
20	111 044	Fitting	GE 8 LR MS	1

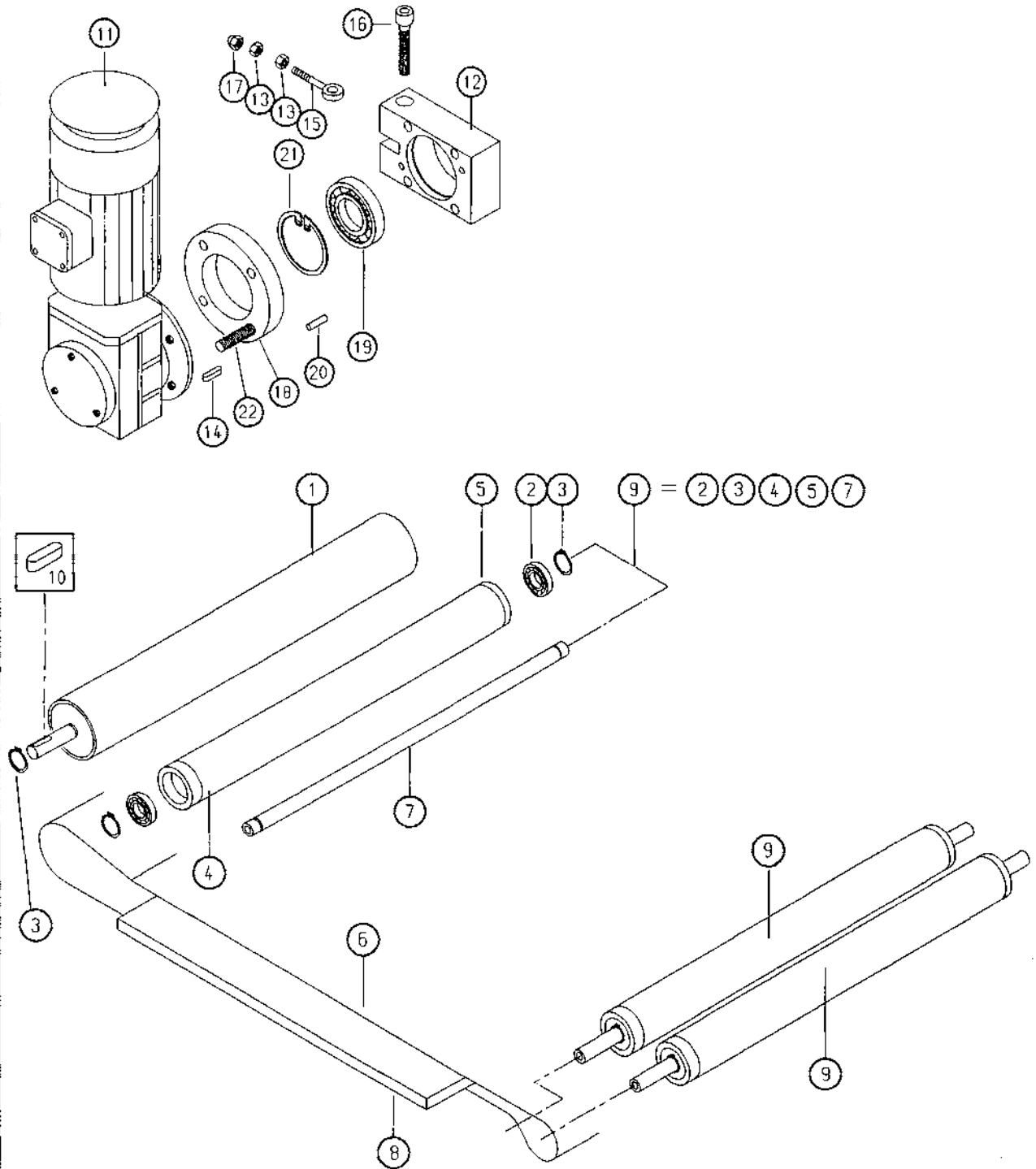
Type LP 581-582-583		Spare Parts List Membrane Assembly and Pressing Pressure Control			Page 9-9.2
Pos.	Part No.	Part Name	Description	Quant.	
21	031 012	Reducer	1/2-1/4"	1	
22	031 011	Fitting, Straight	1/2"	2	
23	112 735	Valve, Ball	1/2"	1	
24	030 005	Hose, Barb	1/2"	1	
25	021 252	Bolt, Allen	DIN 912 M10x80 SS	12	

TYPE LP 581-582-583

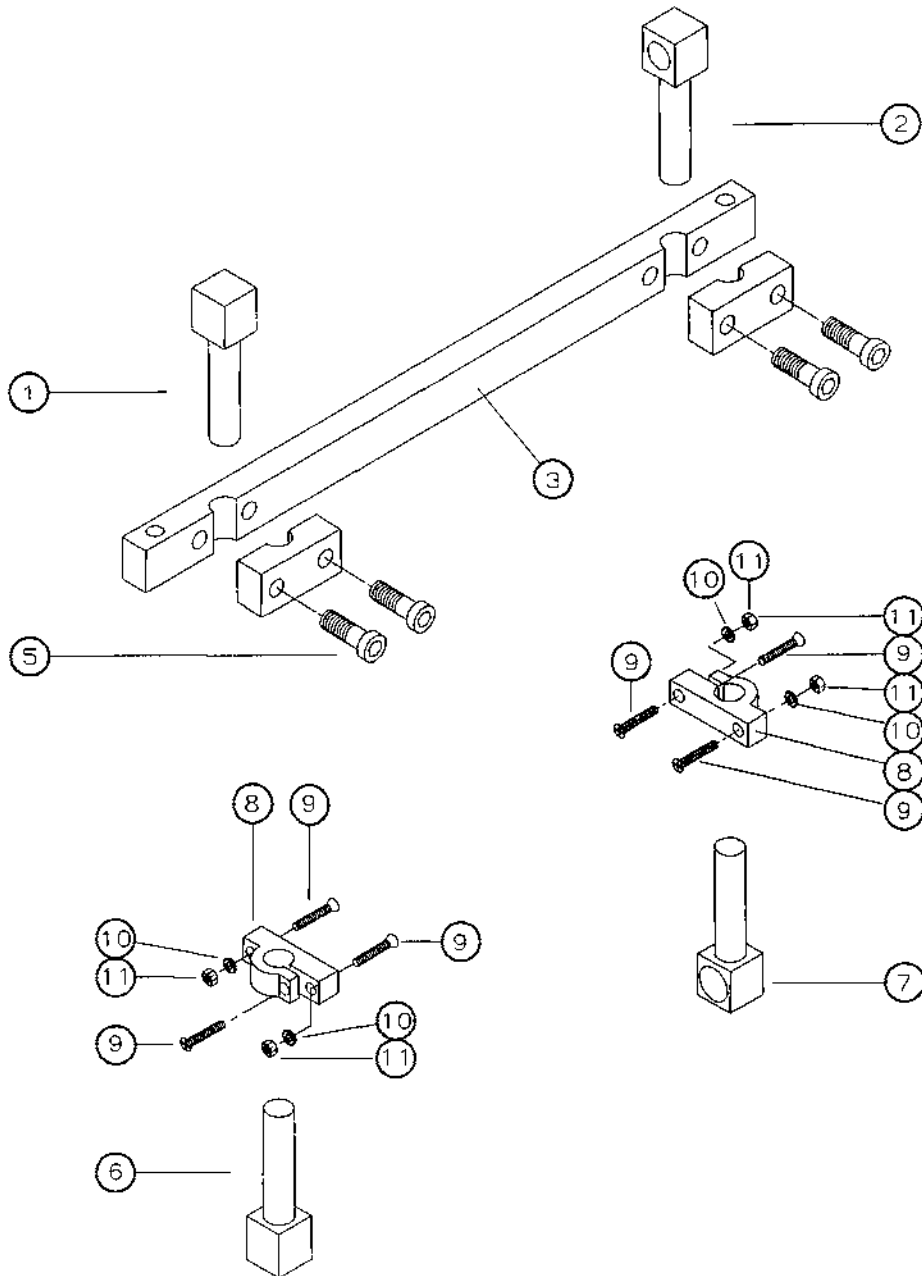
CONVEYOR ASSEMBLY
TENSIONER CONVEYOR MOTOR

Page

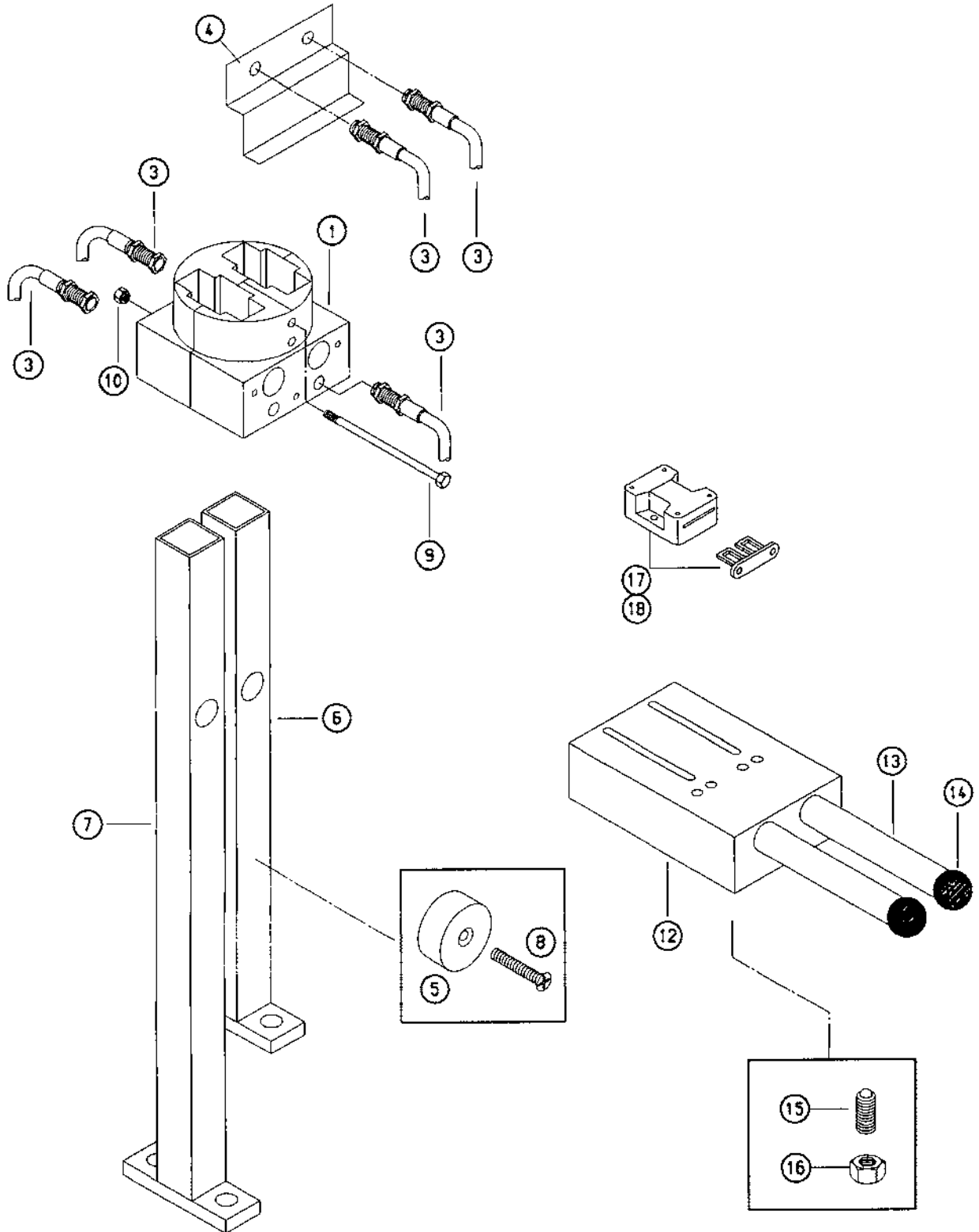
9-10.0



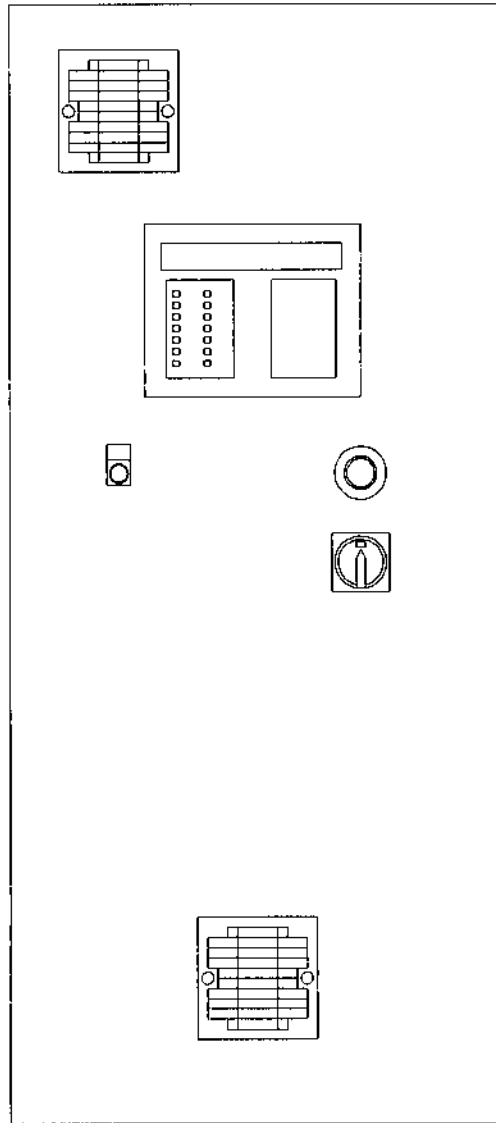
Type		Spare Parts List			Page
LP 581-582-583		Conveyor assembly Tensioner conveyor motor			9-10.1
Pos.	Part No.	Part Name	Description	Quant.	
1	211 008-2	Rubberized drive roll		1	
2	100 032	Ball bearing	6205 2RS Niro	4	
3	025 002	Snap ring	DIN 471 25x1,2 A2	5	
4	211 489-4	Tube	d = 80x4x995	2	
5	211 488-4	Nylon bushing		4	
6	122 155	Transport belt, repl. 122 335	4030x1000	1	
	122 335	Transport belt		1	
	122 168	Transport belt, repl. 122 336	4970x1000	1	
	122 336	Transport belt		1	
7	210 173-4	Shaft	d = 25x1023	2	
8	213 752-2	Drainage plate		1	
9	211 490-3	Roll compl.	d = 80	3	
10	103 155	Key	DIN 6885 6x6x35	1	
11		Gear motor, Indicate voltage and frequency		1	
12	212 188-3	Bearing support		2	
13	020 032	Hex nut	DIN 934 M8 A2	8	
14	103 155	Key	DIN 6885 6x6x36	1	
15	020 869	Eye bolt	DIN 444 M8x60 A2	2	
16	020 427	Allen bolt	DIN 912 M8x50 A2	2	
17	020 033	Cap nut	DIN 1587 M8 A2	2	
18	211 009-3	Flange gear motor		1	
19	100 032	Ball bearing	6205 2RS Niro	2	
20	020 728	Pin	DIN 7 5x30 m6 A2	2	
21	025 045	Snap ring	DIN 472 52x2	2	
22	020 727	Thread bar	DIN 551 M8x40 A2	4	



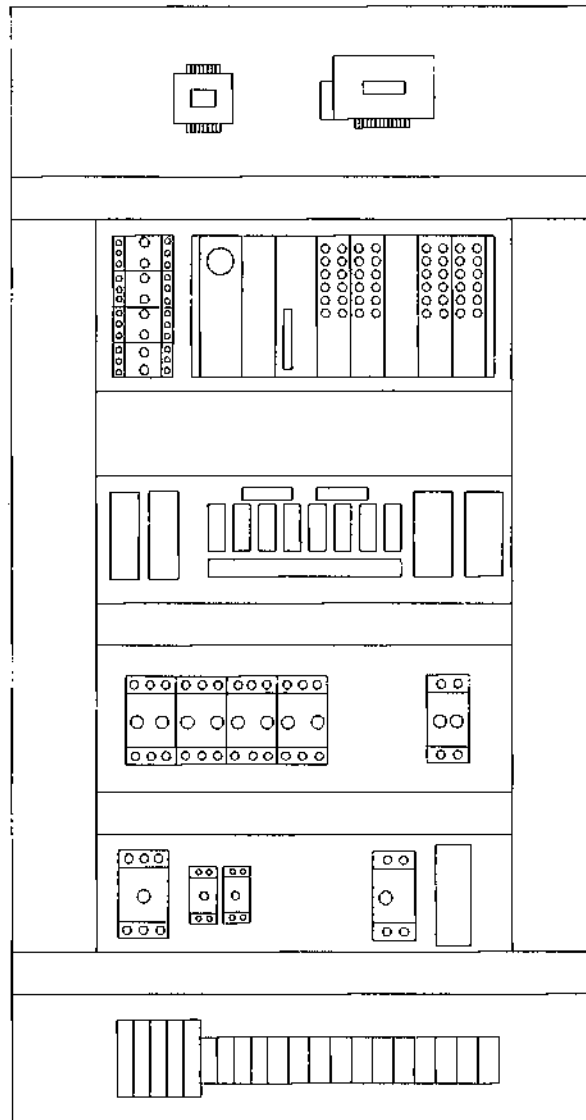
Type		Spare Parts List			Page
LP 581-582-583		Photocells			9-11.1
Pos.	Part No.	Part Name	Description	Quant.	
1	135 843	Sender, Photocell	WS 75/2	1	
2	135 844	Receiver, Photocell	WS 75/4	1	
3	210 186-3	Bracket, Photocell	20x15x990	1	
4					
5	020 005	Bolt, Allen	DIN 912 M6x30 SS	4	
6	135 843	Sender, Photocell	WS 75/2	1	
7	135 844	Receiver, Photocell	WS 75/4	1	
8	135 848	Bracket, Photocell	Alu.	2	
9	020 199	Screw, CS	DIN 965 M4x20 SS	6	
10	020 045	Washer	DIN 125 4,3 SS	4	
11	020 030	Nut, Hex	DIN 934 M4 SS	4	



Type		Spare Parts List		Page
LP 581-582-583		Control Rods and Support		9-13.1
Pos.	Part No.	Part Name	Description	Quant.
1	211 840-3	Set, Guide		1
2				
3	135 472	Switch, Magnetic		4
4	213 293-3	Bracket	Type 581	1
	213 494-2	Bracket	Type 582	1
	213 558-2	Bracket	Type 583	1
5	136 402	Magnet		6
6	213 296-3	Rod, Control Ram	Type 581	1
	213 492-3	Rod, Control Ram	Type 582	1
	213 554-3	Rod, Control Ram	Type 583	1
7	213 297-3	Rod, Control Basket	Type 581	1
	213 493-3	Rod, Control Basket	Type 582	1
	213 493-3	Rod, Control Basket	Type 583	1
8	020 167	Screw, CS	DIN 965 M4x16 SS	6
9	020 594	Bolt, Hex	DIN 931 M8x140	2
10	020 470	Nut, Hex selfl.	DIN 985 M8 SS	2
11				
12	211 423-2	Bracket		1
13	211 924-3	Bolt, Lock		2
14	125 052	Handle, Ball		2
15	020 800	Pin, Pressure	GN616-M12-K	2
16	020 360	Nut, Hex	DIN 934 M12 A2	2
17	020 297	Bolt, Allen	DIN 84 M4x16	4
18	135 483	Switch, Safety	AZ 15 ZVR	2



PARTS ARE LISTED IN WIRING DIAGRAM



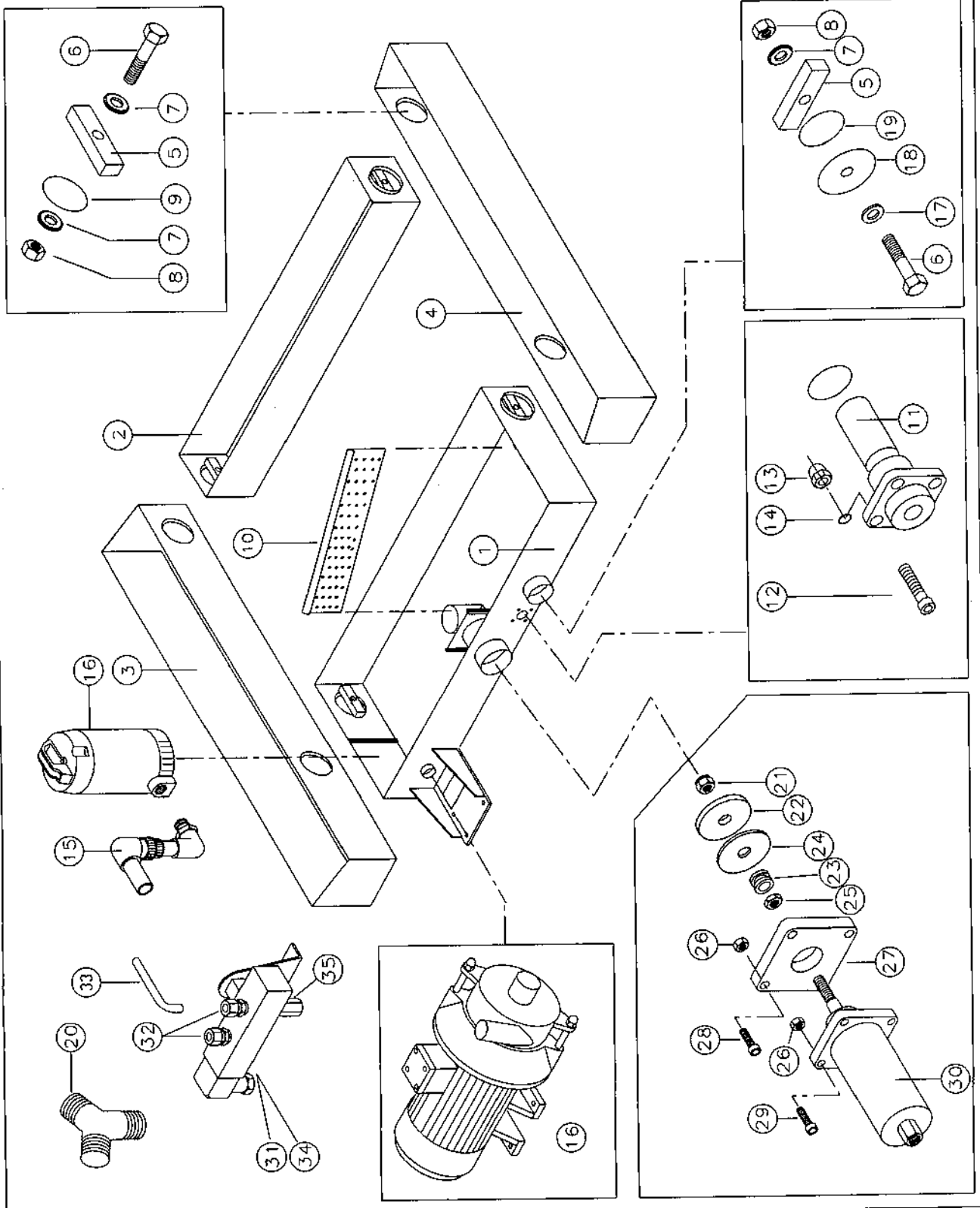
PARTS ARE LISTED IN WIRING DIAGRAM

TYPE LP 581-582-583

WATER TANKS

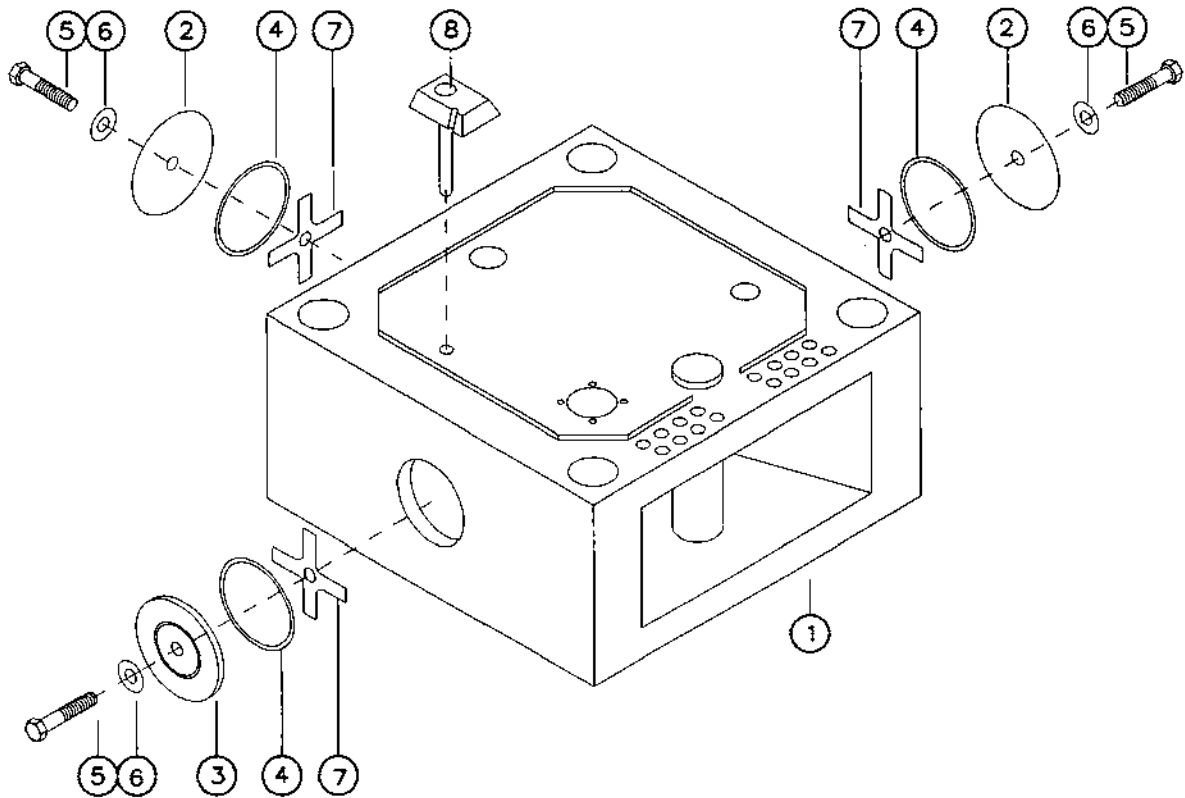
Page

9-16.0



Type		Spare Parts List			Page
LP 581-582-583		Water Tanks			9-16.1
Pos.	Part No.	Part Name	Description	Quant.	
1		Water tank, Entry side	Indic. serial no.	1	
2		Water tank, Exit side	Indic. serial no.	1	
3		Water tank, left	Indic. serial no.	1	
4		Water tank, right	Indic. serial no.	1	
5	210 116-4	Bracket, Clamping	20x20x110 A2	5	
6	020 170	Bolt, Hex	DIN 933 M10x80 A2	5	
7	020 097	Washer, Flat	DIN 125 10.5 A2	9	
8	020 171	Nut, Hex	DIN 934 M10 A2	5	
9	028 012	O-Ring	105x5	4	
10	213 229-3	Screen, Lint		4	
11	135 833	Switch, Level	SU/SO	1	
12	020 473	Bolt, Allen	DIN 912 M5x16 A2	4	
13	210 924-4	Nut, Cap	M5 A2	4	
14	028 108	O-Ring	6x1.5	4	
15	213 130-4	Connection, Pump		1	
16		Pump, submersible / Pump, Centrifugal indicate voltage, frequency and Type	1.1 kW Indic. serial no.	1	
17	028 006	Usit Ring	UA 16x10x1,5	1	
18	210 467-4	Cover	PA	1	
19	028 013	O-Ring	94x3	1	

Type		Spare Parts List			Page
LP 581-582-583		Water Tanks			9-16.2
Pos.	Part No.	Part Name	Description	Quant.	
20	211 699-4	Y-Adapter	PVC DN40	1	
21	021 207	Nut, Hex selfl.	DIN 985 M10 A2	1	
22	211 999-4	Rubber, Seal	Type 571	1	
23	137 037	Grommet		1	
24	213 077-4	Washer, Seal	Type 571	1	
25	021 208	Nut, Hex	DIN 934 M10 A2	1	
26	020 420	Nut, Hex selfl.	DIN 985 M6 A2	6	
27	213 076-4	Flange, Cylinder	Type 571	1	
28	020 004	Bolt, Allen	DIN 912 M6x25 A2	4	
29	020 005	Bolt, Allen	DIN 912 M6x30 A2	2	
30	112 496	Cylinder	DFK-25-50P	1	
31	112 392	Valve, Solenoid 4/2	10 bar, 24 VDC	1	
32	112 501	Fitting	CK-1/8-PK-4	2	
33	006 082	Hose, Plastic	PU-4 blau	10	
34	112 034	Muffler for Valve Battery	G 1/8"	1	
35	111 034	Fitting	GE 8 LLR 1/8	1	
	213 075-3	Valve, Drain complete		1	



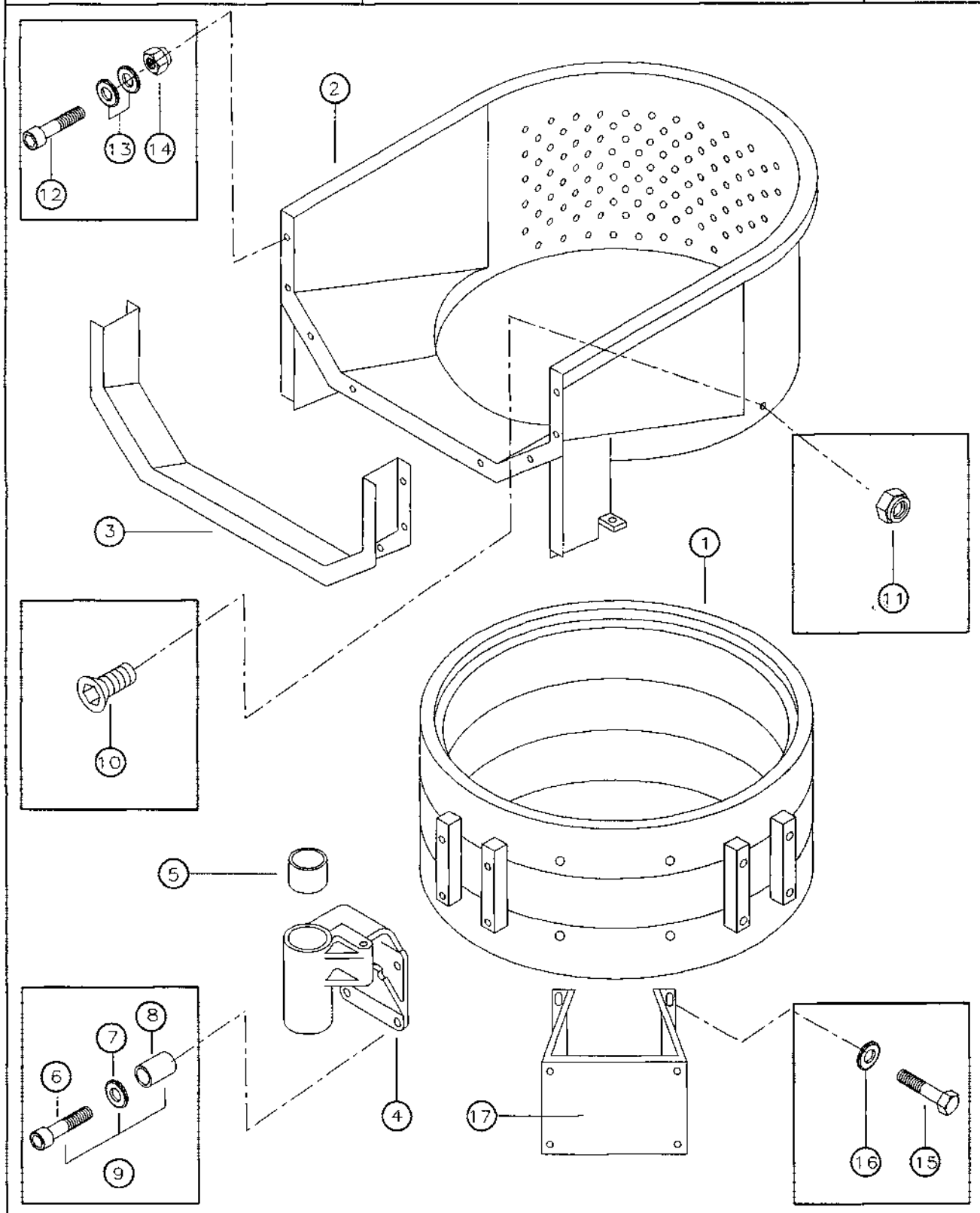
Type		Spare Parts List		Page
LP 581-582-583		Oil Tank		9-17.1
Pos.	Part No.	Part Name	Description	Quant.
1	213 165-1	Tank, Oil		1
2	111 005	Cover		2
3	210 100-4	Glass, Level		1
4	028 008	O-Ring	214x5 oil proof	3
5	020 012	Bolt, Allen	DIN 912 M16x50	3
6	028 376	Ring, Usit	Ua-22-16-1,5	3
7	211 250-4	Strip, Lock		3
8	135 001	Thermostat	0-90° C	1

TYPE LP 581-582-583

BASKET

Page

9-18.0



0009

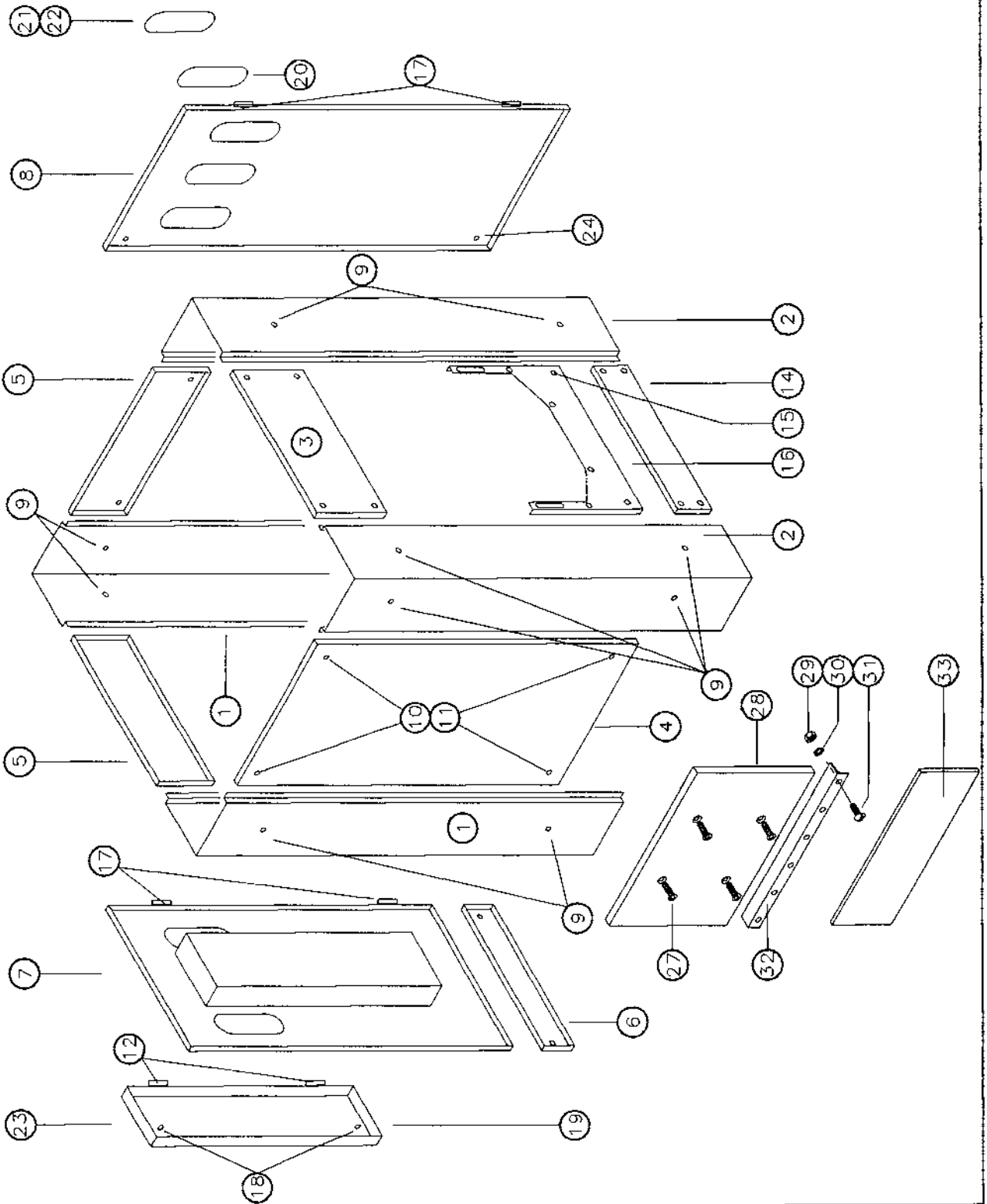
Type		Spare Parts List			Page
LP 581-582-583		Basket			9-18.1
Pos.	Part No.	Part Name	Description	Quant.	
1	213 182-1	Basket, Lower Part Type 581	50 kg	1	
	213 195-1	Basket, Lower Part Type 581	60 kg	1	
	213 485-1	Basket, Lower Part Type 582	70 kg	1	
	213 555-1	Basket, Lower Part Type 583	90 kg	1	
2	210 103-1	Basket, Upper Part		1	
3	213 320-2	Intermediate Part		1	
4	213 596-2	Guide, Divided Basket	Alu.	4	
5	100 264	Bushing-DU	150x155x80	8	
6	020 074	Bolt, Allen	DIN 912 M16x65 SS	8	
7	020 048	Washer	DIN 125 17 SS	8	
8	211 249-4	Bushing, spacer	Brass	8	
9	211 522-4	Bolt, Tightening compl.		8	
10	021 263	Screw, CS	DIN 7991 M8x35 SS	16	
11	020 470	Nut, Hex selfl.	DIN 985 M8 SS	16	
12	020 003	Bolt, Allen	DIN 912 M6x20 SS	8	
13	020 046	Washer	DIN 125 6,4 SS	16	
14	020 420	Nut, Hex selfl.	DIN 985 M6 SS	8	
15	020 177	Bolt, Hex	DIN 933 M8x12 SS	4	
16	020 047	Washer	DIN 125 8,4 SS	8	
17	213 335-3	Bracket, Impulse Sheet	Type 581	1	

TYPE LP 581

PANELS

Page

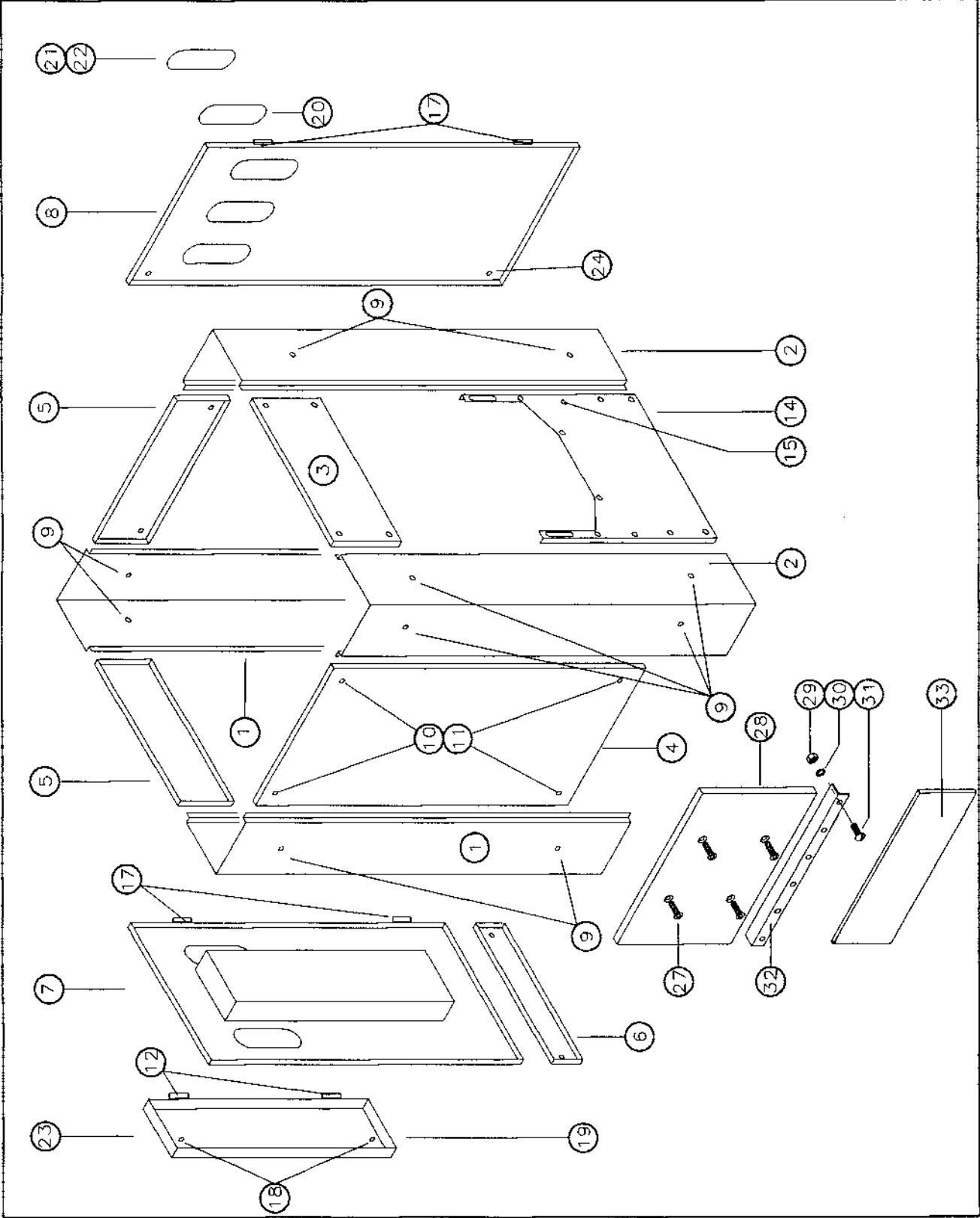
9-19.0



0009

Type		Spare Parts List			Page
LP 581		Panels			9-19.1
Pos.	Part No.	Part Name	Description	Quant.	
1	213 275-3	Panel, Corner Door Jamb		2	
2	213 276-3	Panel, Corner		2	
3	213 274-3	Panel, Inlet Top		1	
4	213 272-2	Panel, Outlet		1	
5	213 273-3	Panel, Top left & right		2	
6	213 277-3	Panel, Bottom left & right		2	
7	213 269-2	Door, Control Cabinet		1	
8	213 271-2	Door, Service Sheet		1	
	213 329-5	Door, Service compl.		1	
9	210 311-4	Bolt	SS	16	
10	020 005	Bolt, Allen	DIN 912 M6x30 SS	24	
11	020 046	Washer	DIN 125 6,4 SS	24	
12	121 002	Hinge		2	
13					
14	213 666-4	Panel, Chute Side bottom		1	
15	020 292	Bolt, Allen	DIN 912 M6x35 A2	4	
16	211 252-3	Panel, Chute bottom	50 Kg	1	
	213 725-3	Panel, Chute bottom	60 Kg	1	
17	121 324	Hinge	V4A	4	

Type		Spare Parts List		Page
LP 581		Panels		9-19.2
Pos.	Part No.	Part Name	Description	Quant.
18	121 059 121 141 121 143	Lock compl.		2
19	005 707	Profile, Seal	A2 507	3,8 Mtr.
20	122 001-4	Pane	140x490x4	5
21	005 701	Profile, Rubber	B1 - 115	2,6 Mtr.
22	005 702	Profile, Filler	C 1201	2,6 Mtr.
23	210 923-2	Door, Control Cabinet Sheet		1
24	121 141 121 143 121 205	Lock compl.	SS	4
25	121 062	Key		1
26	121 139	Key, Square		1
27	020 073	Screw, CS	DIN 7991 M8x25 SS	4
28	211 327-2	Sheet, Protection		1
29	020 420	Nut, Hex	DIN 985 M6 A2	6
30	020 046	Washer	DIN 125 A 6,4 A2	6
31	020 571	Bolt, Carriage	DIN 603 M6x20 A2	6
32	211 328-4	Angle	2x494x1000	1
33	211 329--	Plate PVC	5x112x1010	1



Type		Spare Parts List			Page
LP 582		Panels			9-20.1
Pos.	Part No.	Part Name	Description	Quant.	
1	213 501-3	Panel, Corner Door Jamb		2	
2	213 502-3	Panel, Corner		2	
3	213 507-3	Panel, Inlet Top		1	
4	213 506-2	Panel, Outlet		1	
5	213 513-3	Panel, Top left & right		2	
6	213 277-3	Panel, Bottom left & right		2	
7	213 508-2	Door, Control Cabinet		1	
8	213 571-2	Door, Service Sheet		1	
	13 512-5	Door, Service compl.		1	
9	210 311-4	Bolt	SS	16	
10	020 005	Bolt, Allen	DIN 912 M6x30 SS	24	
11	020 046	Washer	DIN 125 6,4 SS	24	
12	121 002	Hinge		2	
13					
14	213 529-3	Panel, Chute Side bottom		1	
15	020 292	Bolt, Allen	DIN 912 M6x35 A2	4	
16					
17	121 324	Hinge	V4A	4	

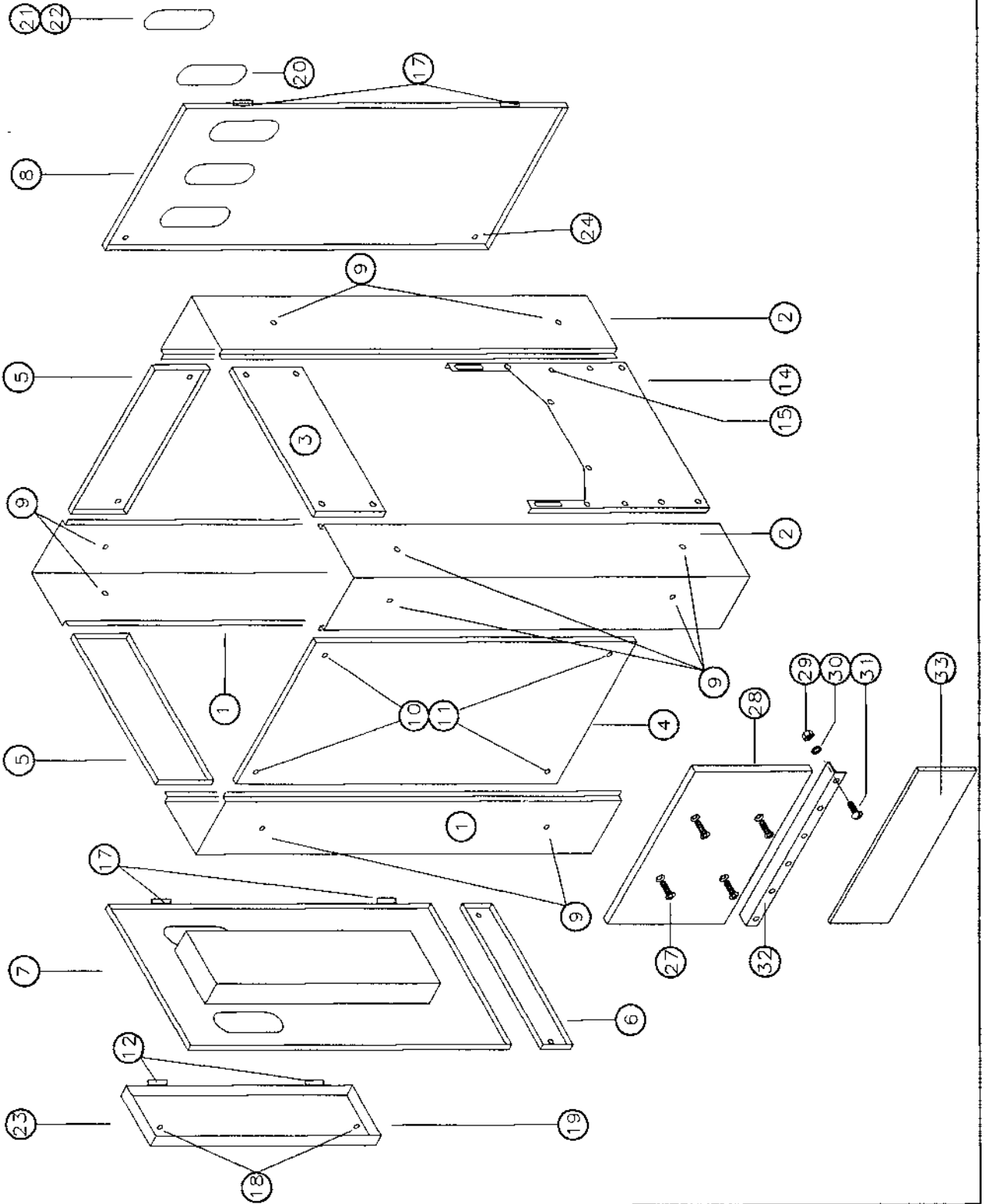
Type		Spare Parts List		Page
LP 582		Panels		9-20.2
Pos.	Part No.	Part Name	Description	Quant.
18	121 059 121 141 121 143	Lock compl.		2
19	005 707	Profile, Seal	A2 507	3,8 Mtr.
20	122 001-4	Pane	140x490x4	5
21	005 701	Profile, Rubber	B1 - 115	2,6 Mtr.
22	005 702	Profile, Filler	C 1201	2,6 Mtr.
23	210 923-2	Door, Control Cabinet Sheet		1
24	121 141 121 143 121 205	Lock compl.	SS	4
25	121 062	Key		1
26	121 139	Key, Square		1
27	020 073	Screw, CS	DIN 7991 M8x25 SS	4
28	211 327-2	Sheet, Protection		1
29	020 420	Nut, Hex	DIN 985 M6 A2	6
30	020 046	Washer	DIN 125 A 6,4 A2	6
31	020 571	Bolt, Carriage	DIN 603 M6x20 A2	6
32	211 328-4	Angle	2x494x1000	1
33	211 329--	Plate PVC	5x112x1010	1

TYPE LP 583

PANELS

Page

9-21.0



0009

Type		Spare Parts List			Page
LP 583		Panels			9-21.1
Pos.	Part No.	Part Name	Description	Quant.	
1	213 578-3	Panel, Corner Door Jamb		2	
2	213 579-3	Panel, Corner		2	
3	213 507-3	Panel, Inlet Top		1	
4	213 584-2	Panel, Outlet		1	
5	213 583-3	Panel, Top left & right		2	
6	213 277-3	Panel, Bottom left & right		2	
7	213 508-2	Door, Control Cabinet		1	
8	213 511-5	Door, Service Sheet		1	
	213 512-5	Door, Service compl.		1	
9	210 311-4	Bolt	SS	16	
10	020 005	Bolt, Allen	DIN 912 M6x30 SS	24	
11	020 046	Washer	DIN 125 6,4 SS	24	
12	121 002	Hinge		2	
13					
14	213 559-3	Panel, Chute Side bottom		1	
15	020 292	Bolt, Allen	DIN 912 M6x35 A2	4	
16					
17	121 324	Hinge	V4A	4	

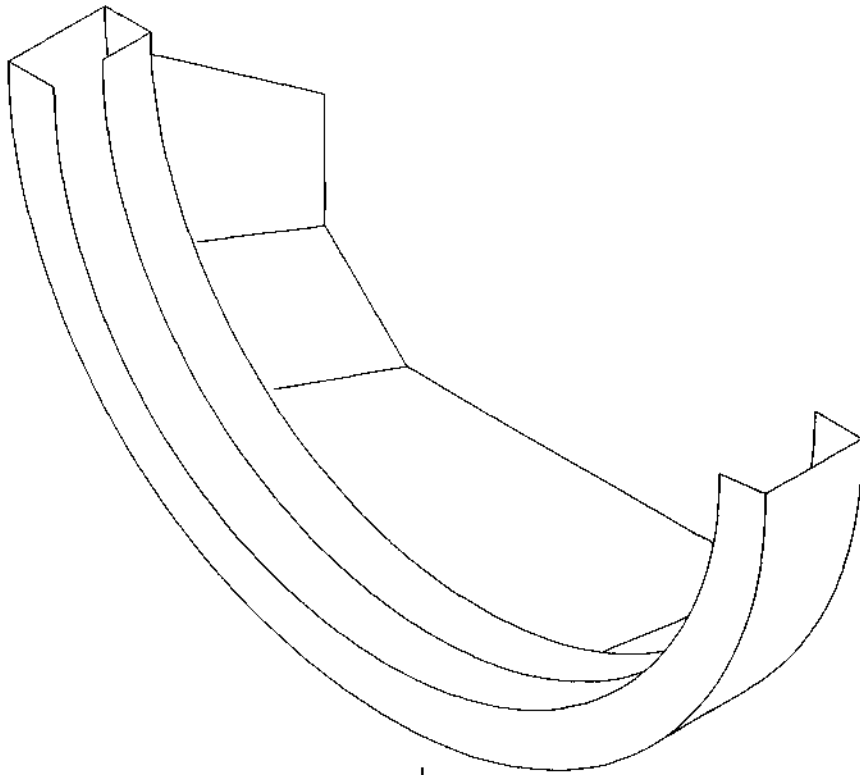
Type		Spare Parts List			Page
LP 583		Panels			9-21.2
Pos.	Part No.	Part Name	Description	Quant.	
18	121 059 121 141 121 143	Lock compl.		2	
19	005 707	Profile, Seal	A2 507	3,8 Mtr.	
20	122 001-4	Pane	140x490x4	5	
21	005 701	Profile, Rubber			
22	005 702	Profile, Filler			
23	210 923-2	Door, Control Cabinet Sheet		1	
24	121 141 121 143 121 205	Lock compl.	SS	4	
25	121 062	Key		1	
26	121 139	Key, Square		1	
27	020 073	Screw, CS	DIN 7991 M8x25 SS	4	
28	211 327-2	Sheet, Protection		1	
29	020 420	Nut, Hex	DIN 985 M6 A2	6	
30	020 046	Washer	DIN 125 A 6,4 A2	6	
31	020 571	Bolt, Carriage	DIN 603 M6x20 A2	6	
32	211 328-4	Angle	2x494x1000	1	
33	211 329--	Plate PVC	5x112x1010	1	

TYPE LP 581-582-583

CHUTE

Page

9-22.0



1

Type LP 581-582-583		Spare Parts List Chute		Page 9-22.1
Pos.	Part No.	Part Name	Description	Quant.
1		Chute	Indic. serial no.	1