

ILLUSTRATED PARTS MANUAL

FOR

LAVAPRESS

LP 551

Serial N°	
Wiring Diagram	
Hydraulic Diagram	

1998	01	DE
1999	02	DA
2000	03	EN ●
2001	04	ES
2002	05	FI
2003	06	FR
2004	07	IT
2005	08	NL
2006 ●	09	NO
2007	10	PT
2008	11	RU
2009	12 ●	SE

LAVATEC

L A V A T E C
Wäschereimaschinen
GMBH & CO. KG
Wannenäckerstraße 53
D - 74 078 Heilbronn
P . O . B . 2 5 6 5
D - 74 015 Heilbronn
Phone 0 71 31 / 2980
Fax 0 71 31 / 2 30 51

9. SPARE PARTS LIST

ORDERING SPARE PARTS

When ordering spare parts, please include the following information with your order :

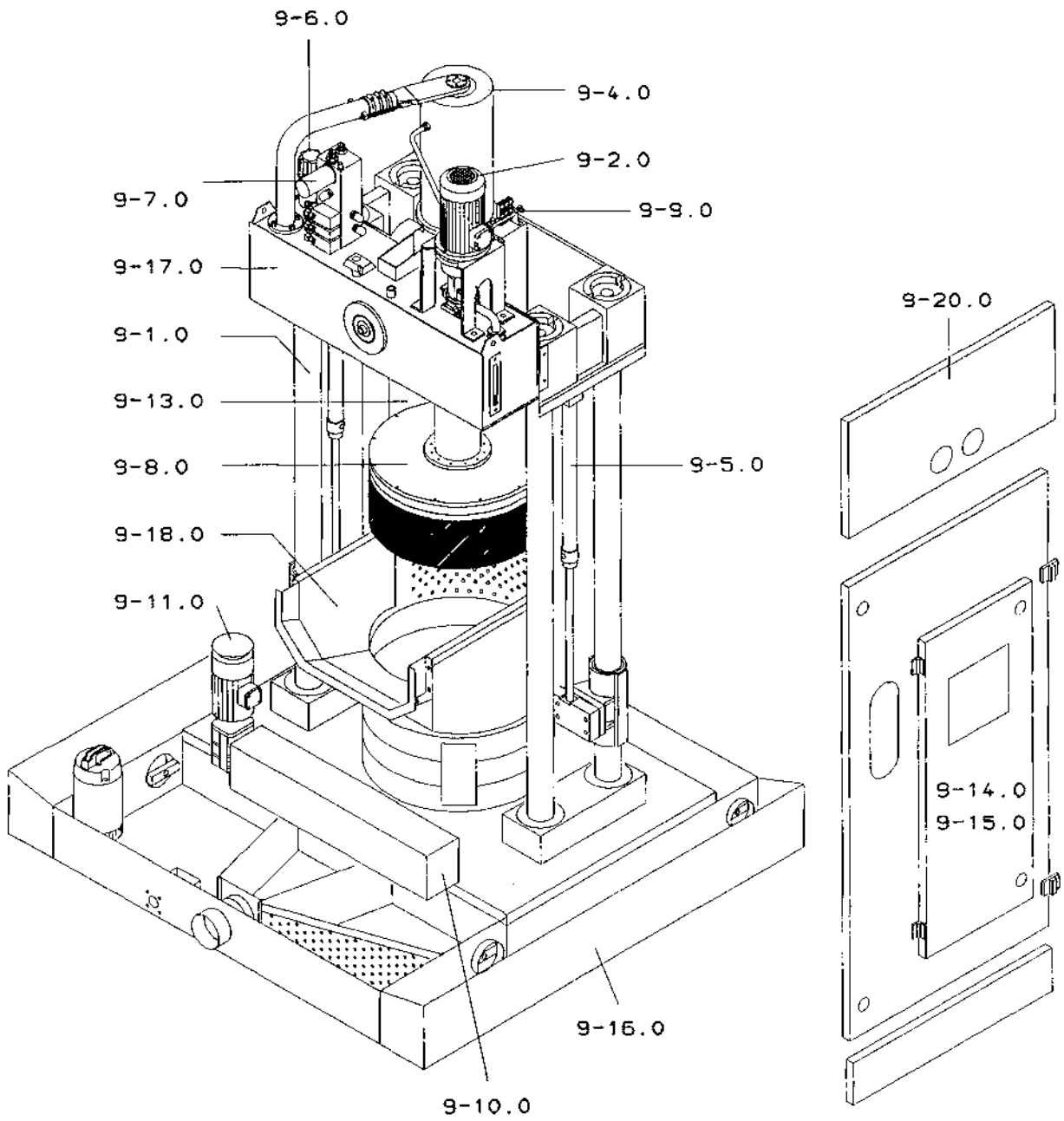
1. Model and serial number of the equipment (located on the name plate).
2. Part number, part name, and quantity required. Use this manual to facilitate ordering.
3. When ordering electrical motors, please include complete name plate data, motor manufacturer, and wiring diagram number.

Our service and spare parts department is staffed with specially trained personnel to assist you with your needs. Please do not hesitate to call if we can be of any assistance to you.

SUBJECT TO CHANGES WITHOUT NOTIFICATION

9.1 TABLE OF CONTENTS

	Page
Table of contents	9-0.1
Overview	9-0.2
Column Assembly	9-1.0
Pump Assembly 4 kW	9-2.0
Pump Assembly 5,5 kW	9-2.3
Pump Assembly, Proportional Pump 5,5 kW	9-3.0
Pump Assembly, Proportional Pump 5,5 kW valid from LP 5510024	9-3.4
Main Cylinder Piping	9-4.0
Basket Cylinder Piping	9-5.0
Heat Exchanger – Air Filter	9-6.0
Control Block Assembly	9-7.0
Membrane Assembly	9-8.0
Pressure Control	9-9.0
Conveyor Assembly	9-10.0
Conveyor Drive Tensioner	9-11.0
Photocell and Bracket	9-12.0
Control Rods and Supports	9-13.0
Control Elements	9-14.0
Controls	9-15.0
Water Tank	9-16.0
Oil Tank	9-17.0
Basket	9-18.0
Chute	9-19.0
Panels	9-20.0



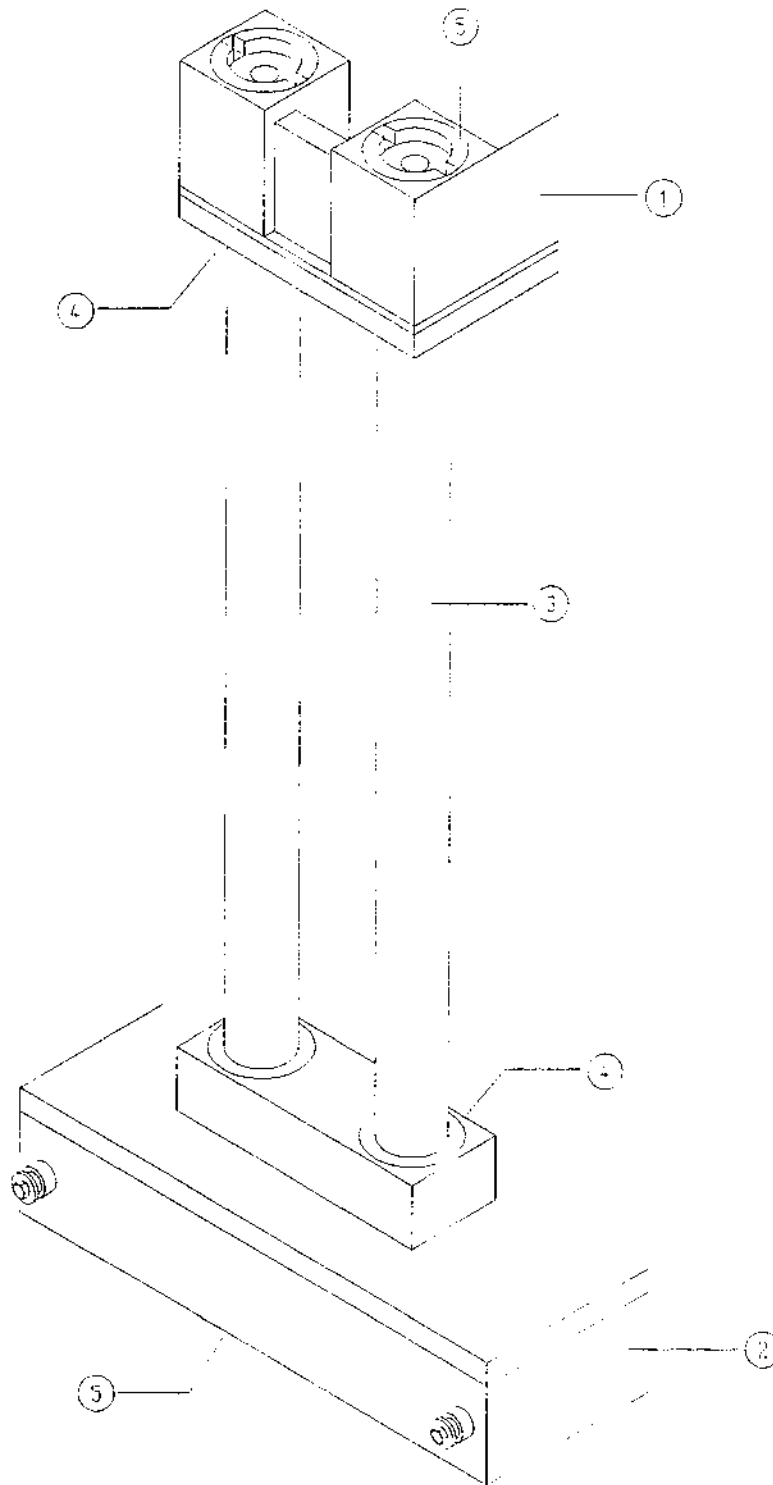
TOP FRAME ROTATED 180°

TYPE LP 551

COLUMN ASSEMBLY

Page

9-1.0



Type		Spare Parts List			Page
LP 551		Column Assembly			9-1.1
Pos.	Part No.	Part Name	Description	Quant.	
1	212 031-1	Frame, Top		1	
2	212 028-2	Frame, Bottom		1	
3	212 108-3	Column		4	
4	212 110-3	Ring, Pressure		8	
5	212 109-3	Nut, Groove		8	

Type		Spare Parts List			Page
LP 551		Pump Assembly			
		4 kW			9-2.1
Pos.	Part Nr.	Part Name	Description	Quant.	
1		Motor, please indicate voltage and frequency	4 kW	1	
2	212 165-4	Spacer		1	
3	111 934	Spidex-Coupling	A24/32.22-28x60	1	
4	112 021	Coupler	A 24 - 92 SH	1	
5	111 932	Bracket, Pump	R 250/68/434	1	
6	111 933	Flange, Damper	DF 250/1N/204	1	
7	111 931	Pump, Axial Piston	A10VSO28DR	1	
8	111 937	SAE-Flange Connector	GFS 33/25-PS	1	
9	020 483	Bolt, Allen	DIN 912 M10x35	4	
10	028 098	O-Ring	25.0x3.53	1	
11	212 105-4	Pipe, Suction		1	
12	028 093	Gromet, Rubber	UC 2825	1	
13	020 011	Bolt, Allen	DIN 912 M12x40	4	
14	028 193	O-Ring	37.7x3.53	1	
15	032 019	Mount, Rubber	50x25, M10x20	4	
16	020 038	Nut, Hex	DIN 934 M10	4	
17	020 889	Bolt, Hex	DIN 933 M10x30	4	
18	212 265-4	Mount, Motor Bracket		4	
19	112 012	Coupling, Straight	XGE 18-PL1	1	
20	112 011	Coupling, Elbow	EVW 18-PL	1	

Type		Spare Parts List			Page
LP 551		Pump Assembly			
		4 kW			9-2.2
Pos.	Part No.	Part Name	Description	Quant.	
21	121 160	Hose, Hydraulic	481-10x900	1	
22	121 159	Hose, Hydraulic	741-12x900	1	
23	020 020	Bolt, Hex	DIN 933 M12x40	10	
24	212 066-3	Bracket, Motor 4 kW		1	
25	020 134	Washer, Tension	DIN 6796 12	10	
26	020 039	Nut, Hex	DIN 934 M12	4	

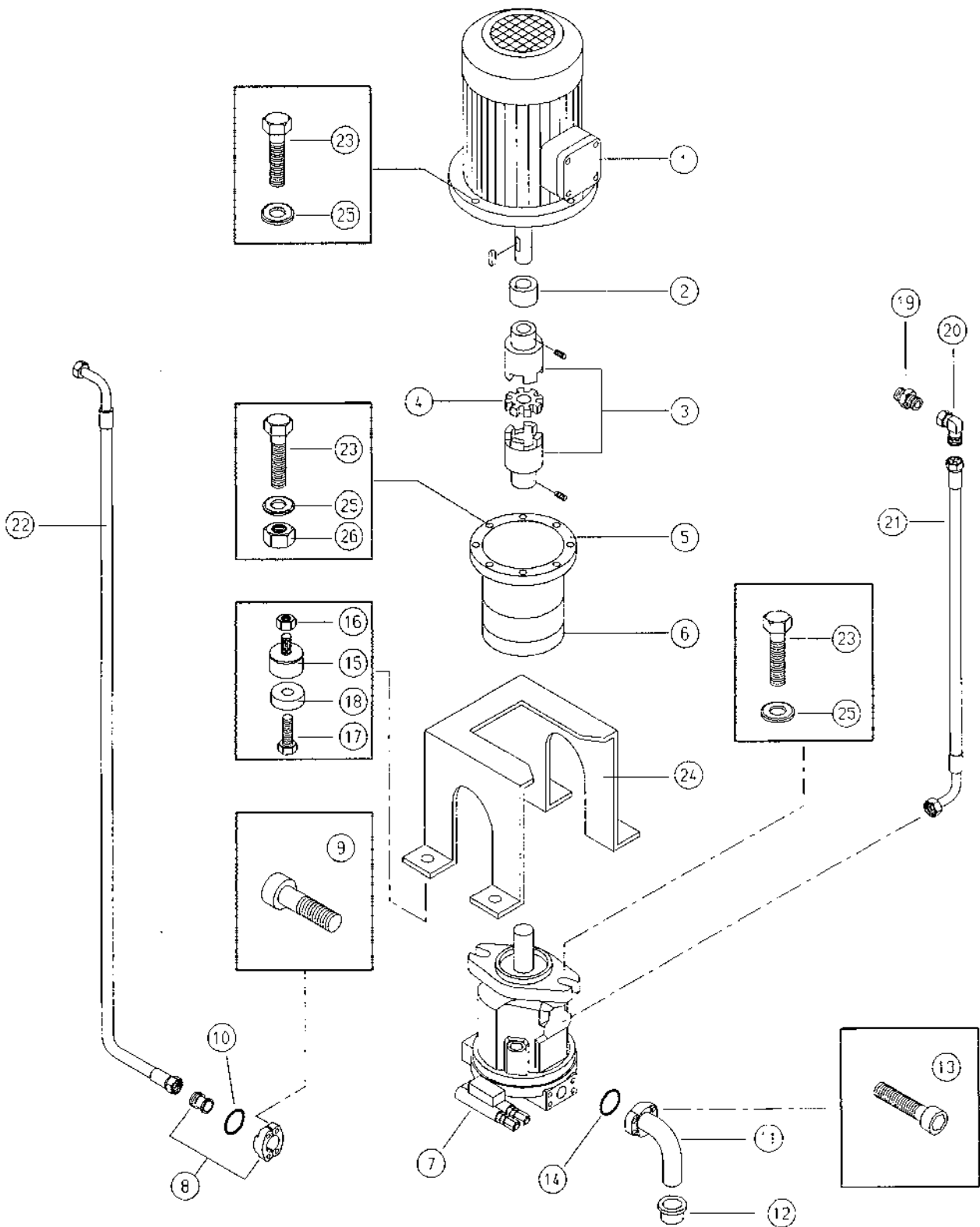
TYPE LP 551

PUMP ASSEMBLY

5.5 kW

Page

9-2.3



Type		Spare Parts List			Page
LP 551		Pump Assembly			9-2.4
		5,5 kW			
Pos.	Part Nr.	Part Name	Description	Quant.	
1		Motor, please indicate voltage and frequency	5,5 kW	1	
2	212 351-4	Spacer		1	
3	112 018	Spidex-Coupling	A28/32.22-38x80	1	
4	111 500	Coupler	A 28 - 92 SH	1	
5	112 016	Bracket, Pump	R 300/83/436	1	
6	112 017	Flange, Damper	DF 250/1N/204	1	
7	111 931	Pump, Axial Piston	A10VSO28DR	1	
8	111 937	SAE-Flange Connector	GFS 33/25-PS	1	
9	020 483	Bolt, Allen	DIN 912 M10x35	4	
10	028 098	O-Ring	25.0x3.53	1	
11	212 105-4	Pipe, Suction		1	
12	028 093	Gromet, Rubber	UC 2825	1	
13	020 011	Bolt, Allen	DIN 912 M12x40	4	
14	028 193	O-Ring	37.7x3.53	1	
15	032 019	Mount, Rubber	50x25, M10x20	4	
16	020 038	Nut, Hex	DIN 934 M10	4	
17	020 889	Bolt, Hex	DIN 933 M10x30	4	
18	212 265-4	Mount, Motor Bracket		4	
19	112 012	Coupling, Straight	XGE 18-PL1	1	
20	112 011	Coupling, Elbow	EVW 18-PL	1	

Type		Spare Parts List			Page
LP 551		Pump Assembly			9-2.5
		5,5 kW			
Pos.	Part No.	Part Name	Description	Quant.	
21	121 160	Hose, Hydraulic	481-10x900	1	
22	121 159	Hose, Hydraulic	741-12x900	1	
23	020 020	Bolt, Hex	DIN 933 M12x40	10	
24	212 278-3	Bracket, Motor 5,5 kW		1	
25	020 134	Washer, Tension	DIN 6796 12	10	
26	020 039	Nut, Hex	DIN 934 M12	4	

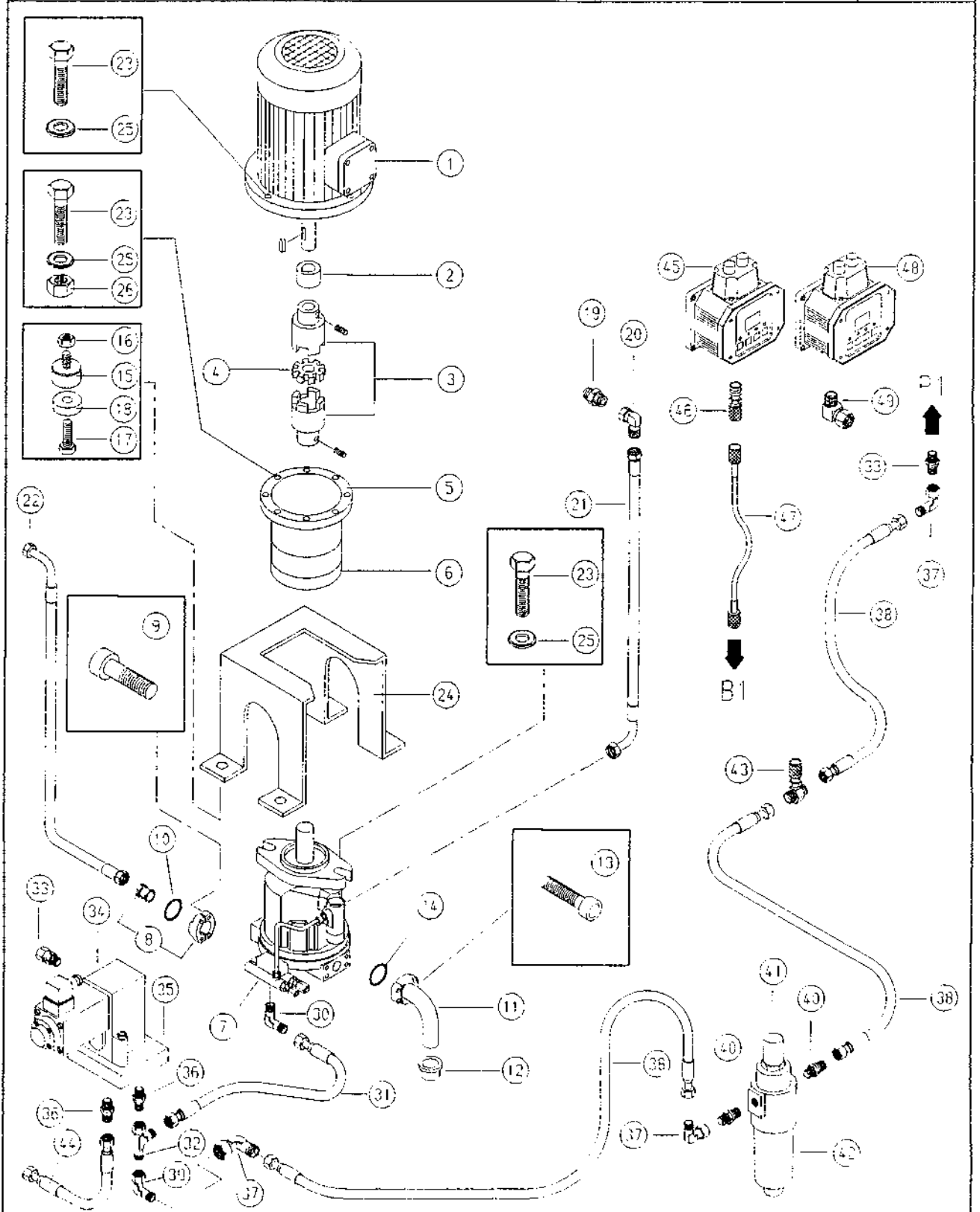
TYPE LP 551

PUMP ASSEMBLY

Page

PROPORTIONAL PUMP 5.5 KW

9-3.0



Type		Spare Parts List			Page
LP 551		Pump Assembly			
		Proportional Pump 5,5 kW			9-3.1
Pos.	Part No.	Part Name	Description	Quant.	
1		Motor, please indicate voltage and frequency		1	
2	212 351-4	Spacer		1	
3	112 018	Spidex-Coupling	A28/38.22-38x80	1	
4	111 500	Coupler	A28 - 92 SH	1	
5	112 016	Bracket, Pump	R300/83/436	1	
6	112 017	Flange, Damper	F 250/1N/204	1	
7	112 058	Pump, Axial Piston	A10VS0280DPLR	1	
8	111 937	SAE-Flange Connector	GFS 33/25-PS	1	
9	020 483	Bolt, Allen	DIN 912 M10x35	4	
10	028 098	O-Ring	25.0x3.53	1	
11	212 105-4	Pipe, Suction		1	
12	028 093	Gromet, Rubber	UC 2825	1	
13	020 011	Bolt, Allen	DIN 912 M12x40	4	
14	028 193	O-Ring	37.7x3.53	1	
15	032 019	Mount, Rubber	50x25, M10x20	4	
16	020 038	Nut, Hex	DIN 934 M10	4	
17	020 889	Bolt, Hex	DIN 933 M10x30	4	
18	212 265-4	Mount, Motor Bracket		4	
19	112 012	Coupling, Straight	XGE 18-PL1	1	
20	112 011	Coupling, Elbow	EVW 18-PL	1	

Type		Spare Parts List			Page
LP 551		Pump Assembly			
		Proportional Pump 5,5 kW			9-3.2
Pos.	Part No.	Part Name	Description	Quant.	
21	121 160	Hose, Hydraulic	481-10x900	1	
22	121 159	Hose, Hydraulic	741-12x900	1	
23	020 020	Bolt, Hex	DIN 933 M12x40	10	
24	212 278-3	Bracket, Motor		1	
25	020 134	Washer, Tension	DIN 6796 12	10	
26	020 039	Nut, Hex	DIN 934 M12	4	
27					
28					
29					
30	112 086	Fitting, Swivel	SWVE 10-PLM	1	
31	121 197	Hose, Hydraulic	381-9.5x900	1	
32	111 985	Fitting, T	EVL 10-PLR	1	
33	111 035	Fitting, Straight	GE 8 LR 1/4"	1	
34	111 993	Valve, Pressure Proportional.	DBET-35/315	1	
35	111 994	Plate, Connection	G 51/01	1	
36	111 983	Fitting	GE 10-PLR-ED	3	
37	111 979	Elbow	EVL 10-PL	2	
38	121 169	Hose, Hydraulic	381-9.5x400	3	
39	211 663-4	Fitting	Type 571	1	
40	111 981	Fitting, Straight	Ge 10-PL/R 1/2	2	

Type		Spare Parts List			Page
LP 551		Pump Assembly			
		Proportional Pump 5,5 kW			9-3.3
Pos.	Part No.	Part Name	Description	Quant.	
41	111 989	Filter, Hydac	DFBH/HC 030 G10 B1.0	1	
42	111 990	Filter cartridge Hydac	030 D10 BH/HC	1	
43	111 988	Nipple, Test	GMA 3/10 PL	1	
44	121 196	Hose, Hydraulic	381-9.5x500	1	
45	112 059	Switch, Pressure Electric	EDS 1691-P-B- 450-00	1	
46	111 023	Nipple, Test	EMA 3/R 1/4	2	
47	111 025	Connector Manometer	SMA 3-2500	1	
48	111 992	Switch, Pressure	EDS 1691-P-B- 050-000	1	
49	111 045	Elbow	WE 8 PLR 1/4	1	

TYPE LP 551

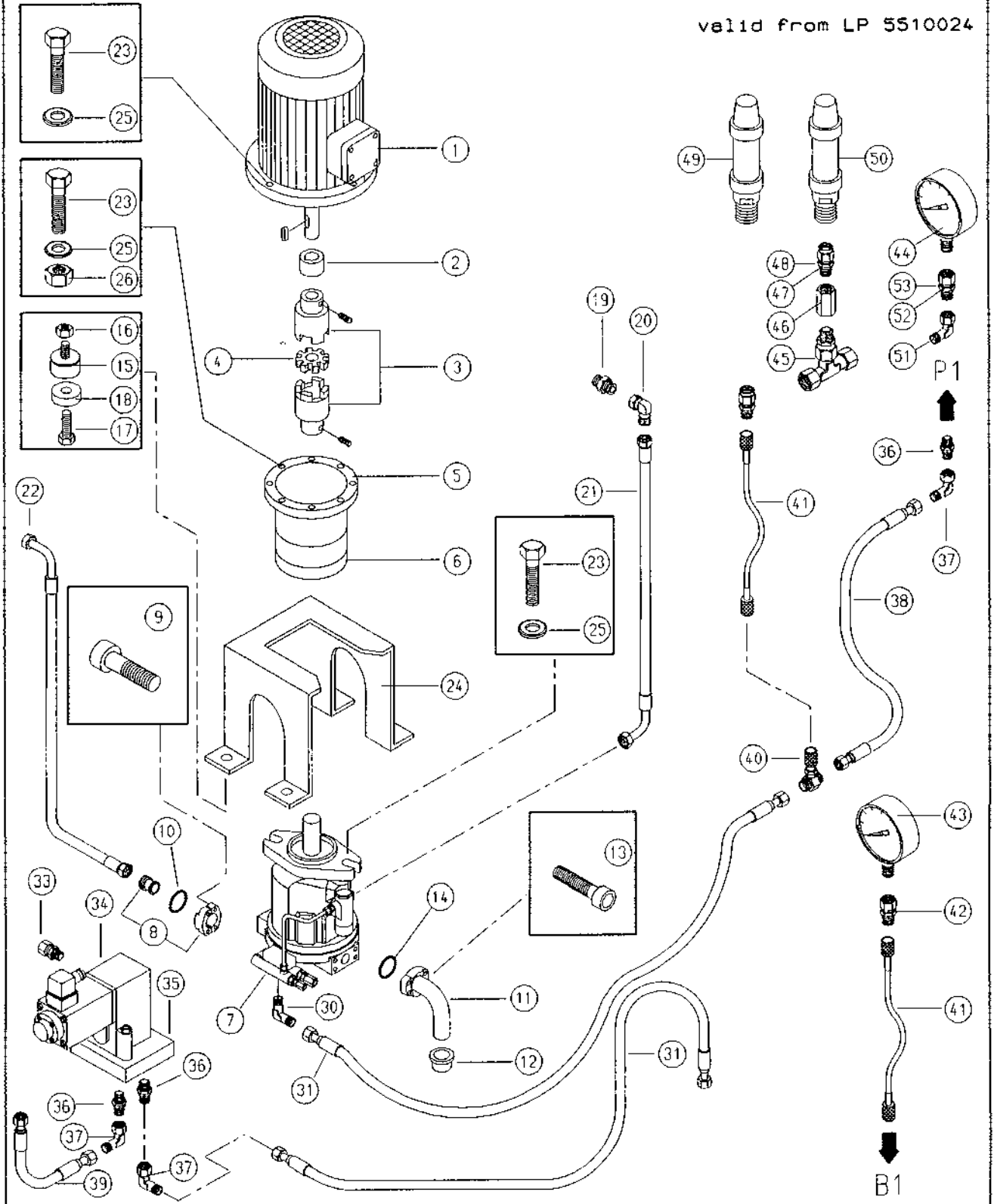
PUMP ASSEMBLY

Page

PROPORTIONAL PUMP 5.5 kW

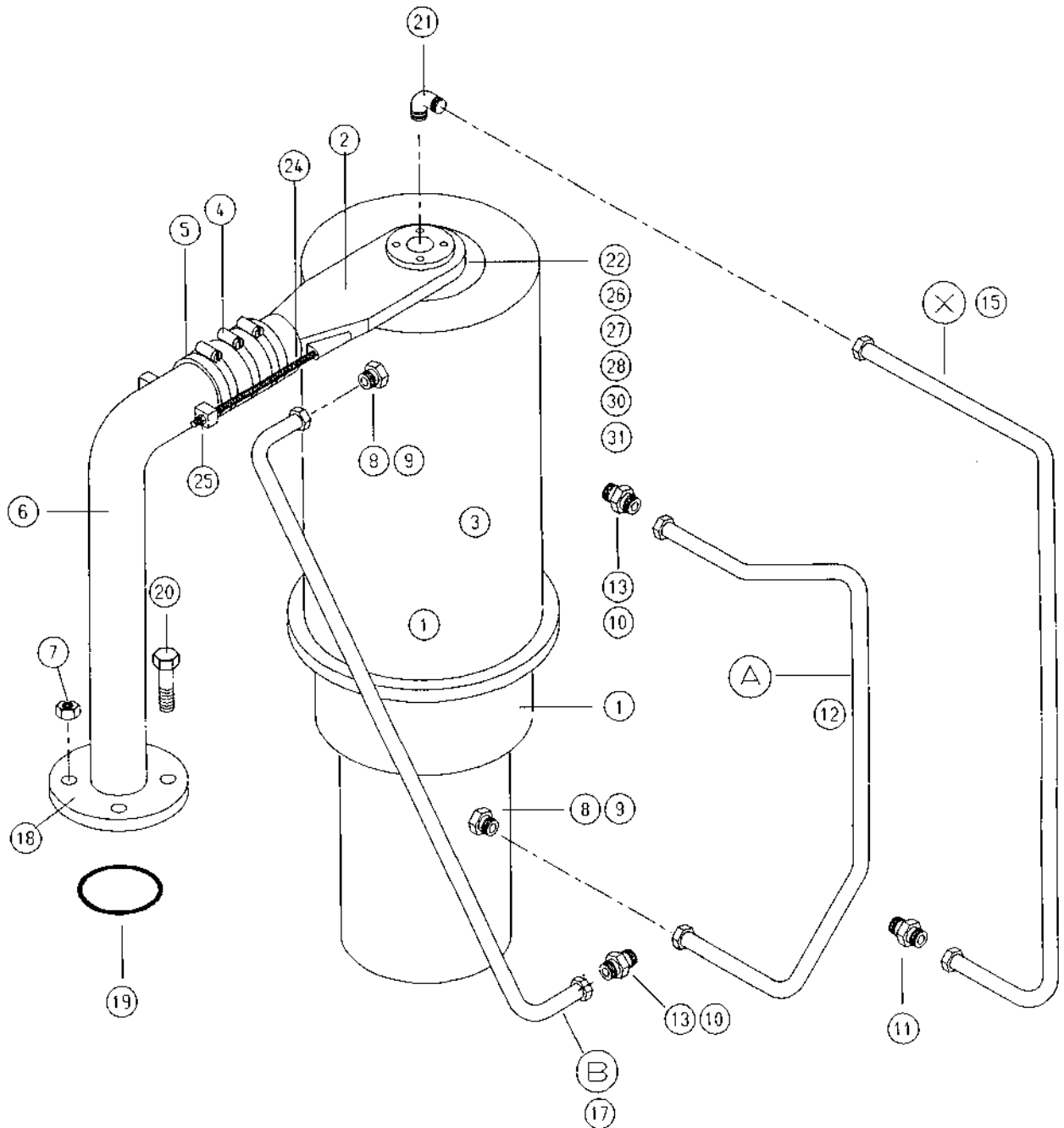
9-3.4

valid from LP 5510024



Type		Spare Parts List			Page
LP 551		Pump Assembly			
		Proportional Pump 5,5 kW			9-3.6
Pos.	Part No.	Part Name	Description	Quant.	
21	121 160	Hose, Hydraulic	481-10x900	1	
22	121 159	Hose, Hydraulic	741-12x900	1	
23	020 020	Bolt, Hex	DIN 933 M12x40	10	
24	212 278-3	Bracket, Motor		1	
25	020 134	Washer, Tension	DIN 6796 12	10	
26	020 039	Nut, Hex	DIN 934 M12	4	
27					
28					
29					
30	112 086	Fitting, Swivel	SWVE 10-PLM	1	
31	121 197	Hose, Hydraulic	381-9.5x900	2	
32					
33	111 035	Fitting, Straight	GE 8 LR 1/4"	4	
34	111 993	Valve, Pressure Proportional.	DBET-35/315	1	
35	111 994	Plate, Connection	G 51/01	1	
36	111 983	Fitting	GE 10-PLR-ED	3	
37	111 979	Elbow	EVL 10-PL	3	
38	121 169	Hose, Hydraulic	381-9.5x400	1	
39	121 169	Hose, Hydraulic	381-9.5x400	1	
40	111 988	Fitting, Test	GMA 3/10 PL	1	

Type		Spare Parts List		Page
LP 551		Pump Assembly		
		Proportional Pump .5,5 kW		9-3.7
Pos.	Part No.	Part Name	Description	Quant.
41	111 025	Connection, Manometer	SMA 3-2500	2
42	111 047	Fitting		2
43	112 014	Manometer	0-400 bar	1
44	112 013	Manometer	0-40 bar	1
45	112 329	Fitting	EVT 8 PLR 1/4	1
46	112 330	Fitting, Reducer	RI 1/8x1/4	1
47	020 383	Nut, Hex	DIN 934 M16 A2	1
48	110 425-4	Fitting, Manometer		1
49	112 059	Transducer, Pressure	EDS 1691-P-B-450-00	1
50	111 992	Transducer, Pressure	EDS 1691-P-B-050-000	1
51	111 027	Elbow ESVS	WE 8 LLR MS	1
52	020 383	Nut, Hex DIN 934	M16 A2	1
53	111 425-4	Fitting, Manometer		1



Type		Spare Parts List		Page
LP 551		Main Cylinder Piping		9-4.1
Pos.	Part No.	Part Name	Description	Quant.
1	212 101-2	Cylinder	DH-240/220PMI 1000 Stroke	1
2	211 104-1	Adapter		1
3	212 303-5	Kit, Seal for Cylinder Pos. 1		1
4	121 001	Clamp, Hose	Torro 110- 130/12	3
5	211 498--	Hose	d=100x110	1
6	212 102-2	Pipe, Suction	d=101.6x2.9	1
7	020 038	Nut, Hex	DIN 934 M10	4
8	111 591	Coupling, Straight	F40XS 20-3/4"	2
9	028 130	O-Ring for pos. 8		1
10	028 129	O-Ring for pos. 13		1
11	111 013	Coupling, Straight	F40XS12 - 1/4"	1
12	212 273--	Pipe, Lift	d=20x2.5	1
13	111 593	Coupling, Straight	F40XS 20-1/2"	3
14				
15	212 275--	Pipe, Control X	d=12x2	1
16				
17	212 274--	Pipe, Pressing	d=20x2.5	1
18	210 096-4	Flange	BL 12x155	1
19	028 011	O-Ring	d=100x5	1
20	020 403	Bolt, Hex	DIN 933 M10x100 galv.	2

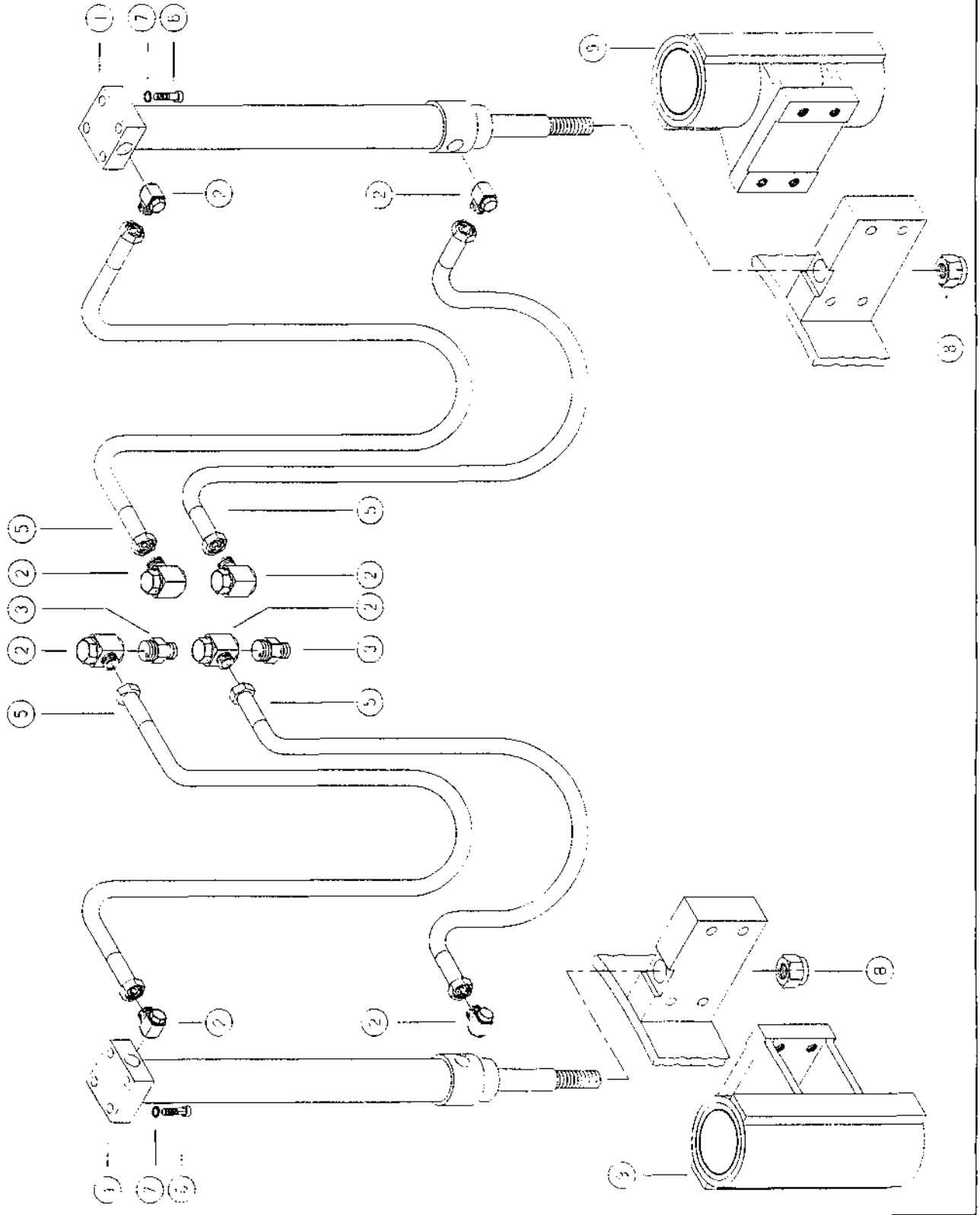
Type		Spare Parts List			Page
LP 551		Main Cylinder Piping			9-4.2
Pos.	Part No.	Part Name	Description	Quant.	
21	211 519-4	Coupling, Straight with Throttle	C40xS 12-1/4"	1	
22	111 577	Valve, Filler	NG 80-880601.1	1	
23	212 303-5	Rep. Kit for Cylinder 212 101-2		1	
24	211 157--	Bar, Thread	M10x200	2	
25	020 038	Nut, Hex	DIN 934 M10	8	
26	020 008	Bolt, Allen	DIN 912 M8x25	4	
27	211 146-4	Disc	A 160 mm	1	
28	211 151-4	Seal	A 160x2	1	
29	111 687	Rep. Kit for Filler Valve	880601.1	1	
30	211 700	Valve Seat for Filler Valve 111 687			
31	211 701	Nut, Stop for Valve Seat 211 700			
32	111 037	Fitting, Banjo	WH8PLRKD	1	

TYPE LP 551

BASKET CYLINDER PIPING

Page

9-5.0



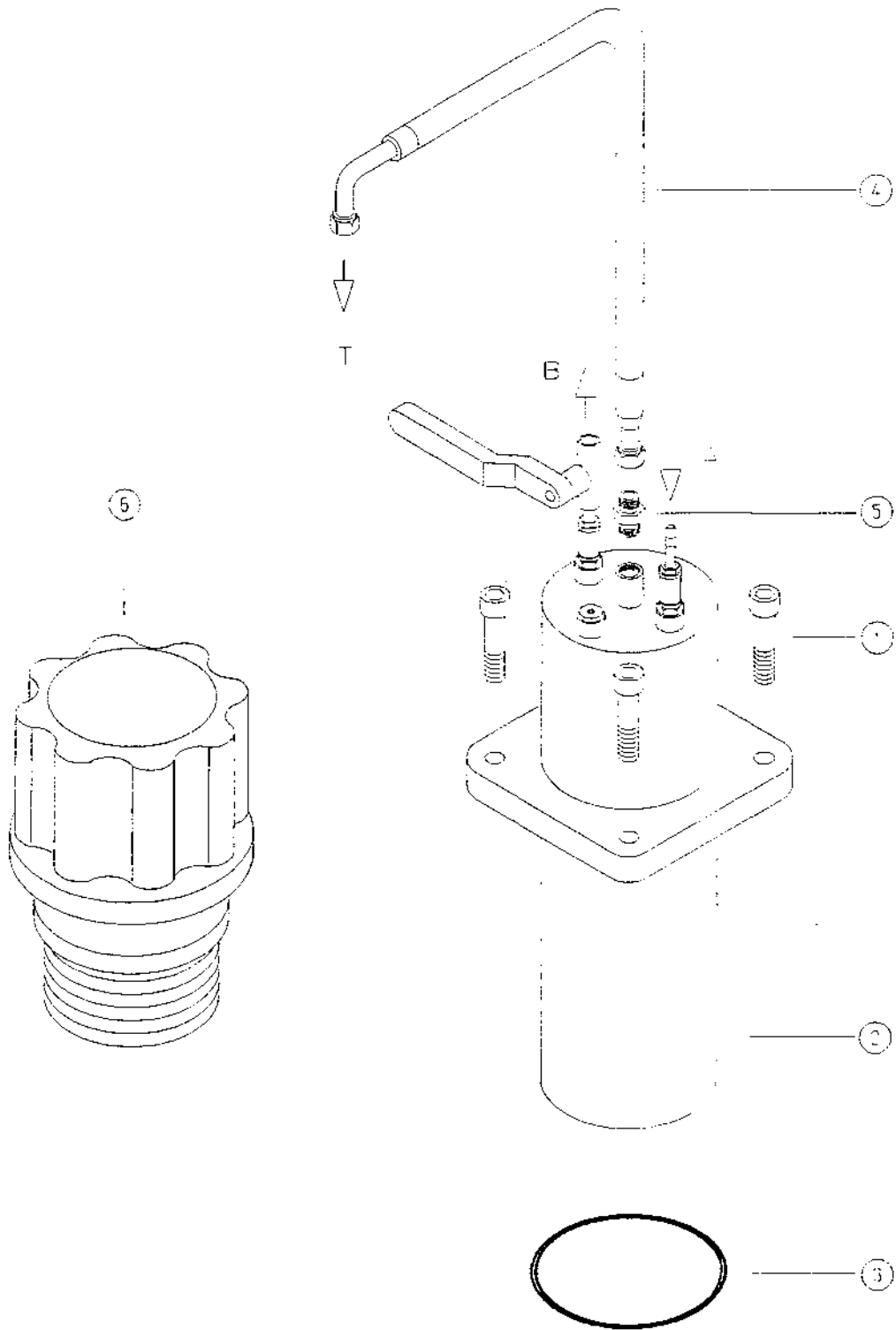
Type		Spare Parts List			Page
LP 551		Basket Cylinder Piping			9-5.1
Pos.	Part No.	Part Name	Description	Quant.	
1	212 046-2	Cylinder, Basket	Stroke 400	2	
2	111 014	Coupling, Elbow	WH-12-PSR KD	8	
3	111 016	Coupling, Reducer	RI 1/2"x3/8"	2	
4					
5	121 158	Hose, Hydraulic	381-7.9x2030	4	
6	020 078	Bolt, Allen	DIN 912 M12x50	8	
7	020 134	Washer, Tension	12	8	
8	020 554	Nut, Hex	DIN 985 M22 SS	2	
9	212 047-3	Guide, Basket, Replacem. 212 272-2		2	
	212 272-2	Guide, Basket Split		2	
10	111 508	Rep. Kit for Basket Cylinder 212 046-2	HZ 59643X	1	

TYPE LP 551

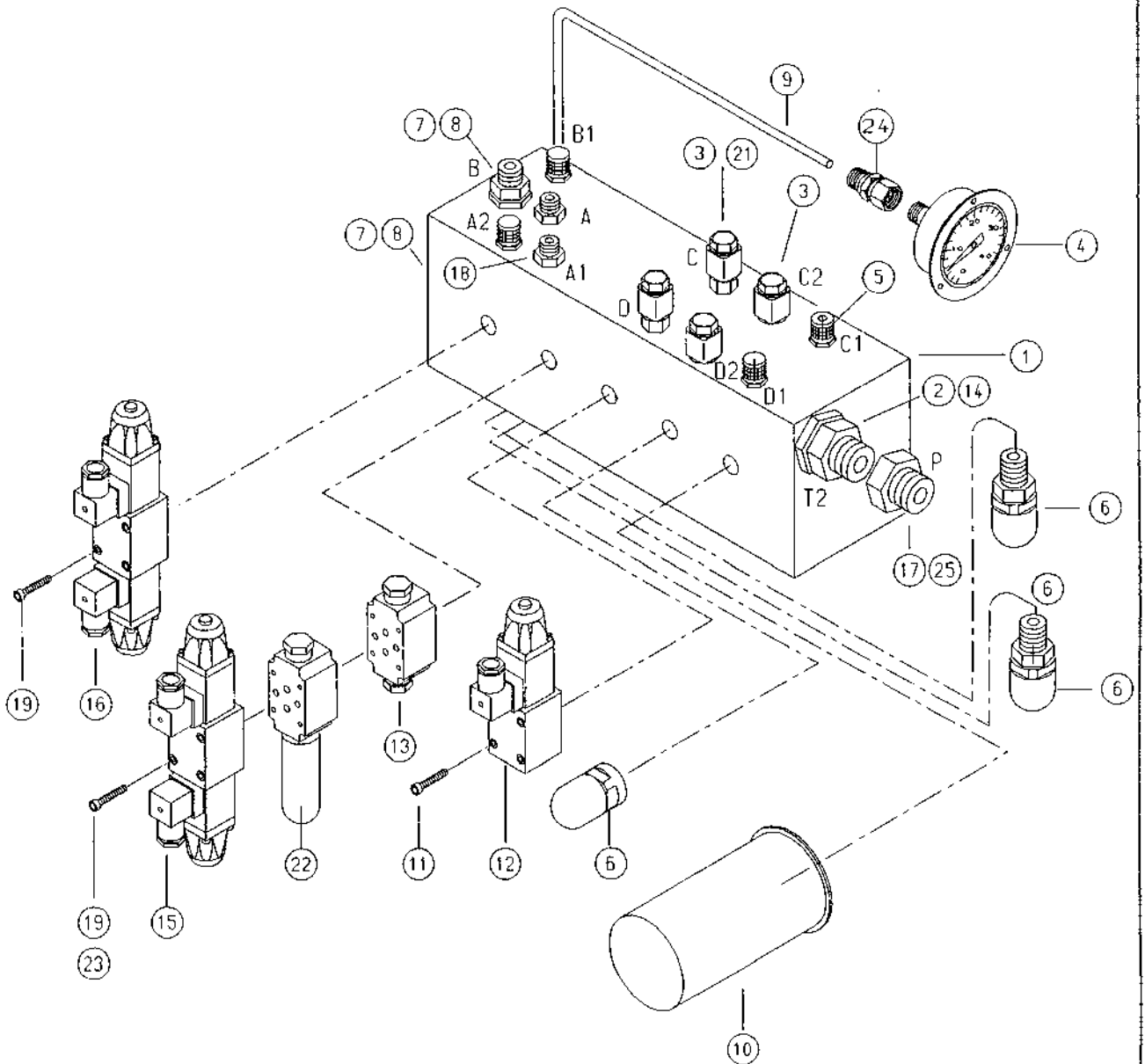
HEAT EXCHANGER - AIR FILTER

Page

9-6.0



Type		Spare Parts List			Page
LP 551		Heat Exchanger - Air Filter			9-6.1
Pos.	Part No.	Part Name	Description	Quant.	
1	020 251	Bolt, Allen	DIN 912	M10x25 SS	4
2	111 386	Exchanger, Heat		LOK T8-01-21.2	1
3	028 097	O-Ring		116x4	1
4	121 161	Hose, Hydraulic T		481-15.9-820	1
5	111 018	Coupling		GE 22 PLR-ed	1
6	111 818	Filler and Breather Filter		ELF 3-03-1	1
7					
8					
9					
10					
11					
12					
13					
14					
15					
16					
17					
18					
19					
20					



Pos. 22+23 from June 93

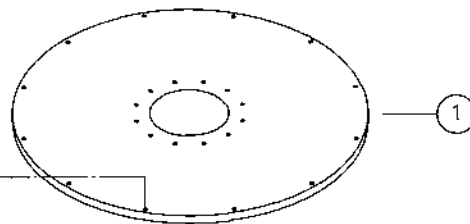
Type		Spare Parts List			Page
LP 551		Control Block Assembly			9-7.1
Pos.	Part No.	Part Name	Description	Quant.	
1	111 764	Block, Control		1	
2	111 019	Coupling Replacement 111 018	GE 25 PSR-ED OMD	1	
	111 018	Coupling	GE22 PLR-ED- OMD	1	
3	111 014	Coupling, Elbow	WH 12 PSR KD	4	
4	112 014	Manometer	0-400 bar D63	1	
5	111 023	Connector, Pressure Gauge	EMA 3/R 1/4	6	
6	111 190	Valve, Pressure	DB0 S10 K13/ 315	3	
7	111 593	Coupling	F40XS 20-1/2"	3	
8	111 038	Coupling, Reducer	RI 1x1/2"	2	
9	111 025	Gauge, Tube	SMA 3x2000	1	
10	111 388	Filter	PC 246 Mic10	1	
11	020 376	Bolt, Allen	DIN 912 M6x50 12.9	8	
12	111 766	Valve	4 WE 10C 5X/ AG 24 NZ4	1	
13	111 118	Valve, Non-Return	Z 2 S6 B25X	1	
14	112 010	Coupling, Reducer Replacement 111 017	RI 1 1/4x1	1	
	111 017	Coupling, Reducer	RI 1-EDx3/4	1	
15	111 123	Valve	4 WE 6J 5X/ AG 24 NZ4	1	
16	111 189	Valve	4 WE 10E5X/ AG24 NZ4	1	

Type		Spare Parts List			Page
LP 551		Control Block Assembly			9-7.2
Pos.	Part No.	Part Name	Description	Quant.	
17	111 767	Coupling	GE 30 PSR-ED	1	
18	111 013	Coupling	F40XS 12-1/4"	1	
19	020 468	Bolt, Allen	DIN 912 M5x90 12.9	4	
20	030 389	Fitting, Straight	M24x1.5	1	
21	111 016	Coupling, Reducer	R 1/2"x3/8"	2	
	028 109	O-Ring between Control Block and Valves	d = 9.25 mm		
	028 110	O-Ring between Control Block and Valves	d = 12 mm		
	111 433	Valve, Check in Control Block	RVE 10		
	111 434	Valve, Check in Control Block	RVE 16		
22	112 140	Valve, Pressure reducing	ZDR6DB2- 4x/150YM	1	
23	020 985	Bolt, Allen	DIN 912 M5x130	4	
24	111 047	Fitting		1	
25	112 249	Coupling, Reducer	KOR 30/25-PS	1	

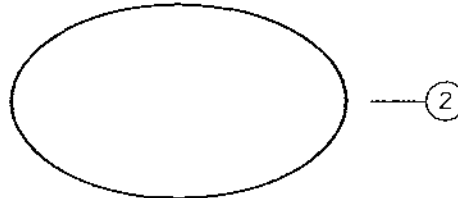
Bolt torque for
rem plate
44 Nm
See operation manual
chapter 7.8



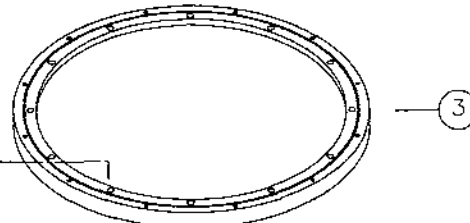
6



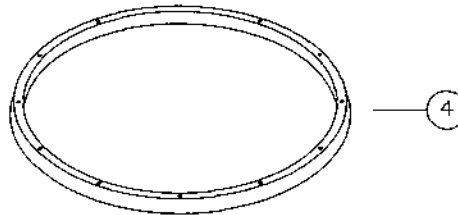
1



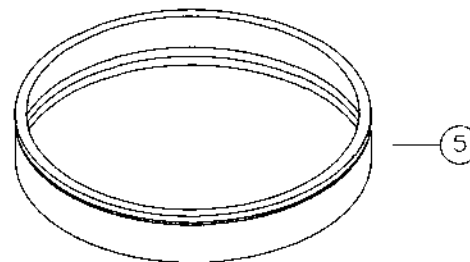
2



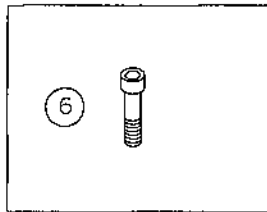
3



4



5



6

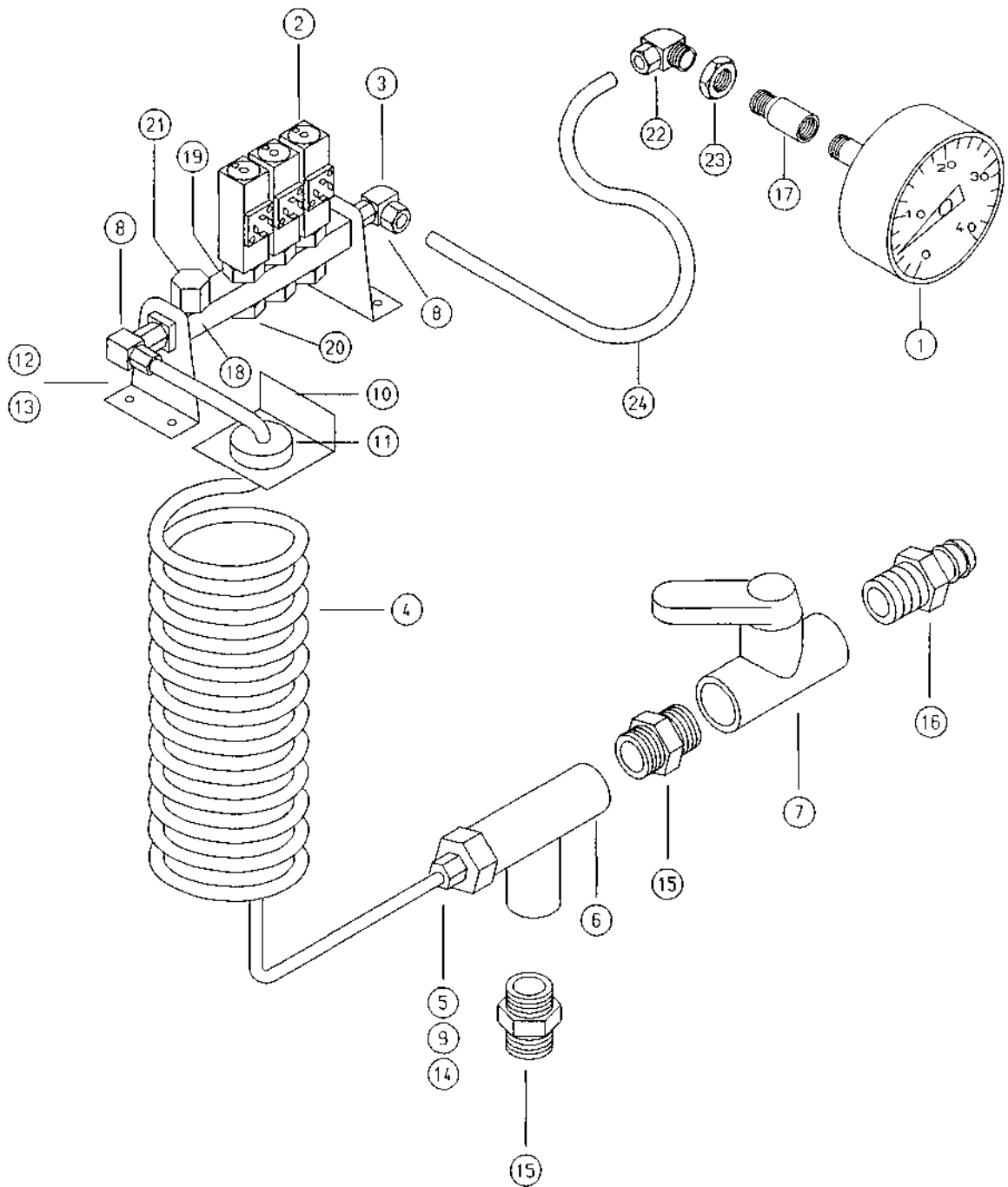
Type		Spare Parts List			Page
LP 551		Membrane Assembly			9-8.1
Pos.	Part-No.	Part Name	Description	Quant.	
1	212 114-2	Plate, Ram			
2	005 704	O-Ring Replacement 213 793--	6,5 mm		
	213 793--	O-Ring			
3	212 259-4	Ring, Outer	Bronze		
4	212 257-4	Ring, Inner			
5	212 260-4	Membrane, Replacement 212 387-2			
	212 387-2	Membrane			
6	020 076	Bolt, Allen Replacement 020 164	DIN 912 M10x45 A2	24	
	020 164	Bolt, Allen	DIN 912 M10x40 A2	24	

TYPE LP 551

PRESSURE CONTROL

Page

9-9.0



Type		Spare Parts List			Page
LP 551		Pressure Control			9-9.1
Pos.	Part No.	Part Name	Description	Quant.	
1	112 013	Manometer	0-40 bar D63	1	
2	135 987	Switch, Pressure	D880419	3	
3	111 045	Coupling	WE 1/4 LR8 MS	2	
4	006 004	Hose, Spiral	8x1.5x250	1	
5	111 044	Coupling	GE 8 LR MS	1	
6	030 003	Tee	1/2" MS	1	
7	111 003	Valve, Ball Replacement 112 735	1/2" MS	1	
	112 735	Valve, Ball	1/2" MS	1	
8	111 048	Coupling, Reducer	RI 3/8"-1/4"	1	
9	111 032	Spacer	VSH8x1.5PA MS	2	
10	210 482-4	Bracket	BL 3x35x80	1	
11	111 056	Coupling	SV 8-L MS	1	
12	006 002	PA-Hose	d = 8x1x5000	1	
13	111 029	Spacer	VSH8x1PA MS	4	
14	030 036	Coupling, Reducer	1/2"-1/4" MS	1	
15	030 002	Fitting, Straight	1/2" MS	2	
16	030 005	Fitting, Barbed	1/2" MS	1	
17	110 425-4	Coupling, Manometer		1	
18	111 385	Manifold	4 Holes	1	
19	028 160	O-Ring for 111 935	13x2	4	
20	111 935	Bolt, Banjo	R 1/4"		
21	111 164	Bolt, Cap compl.			

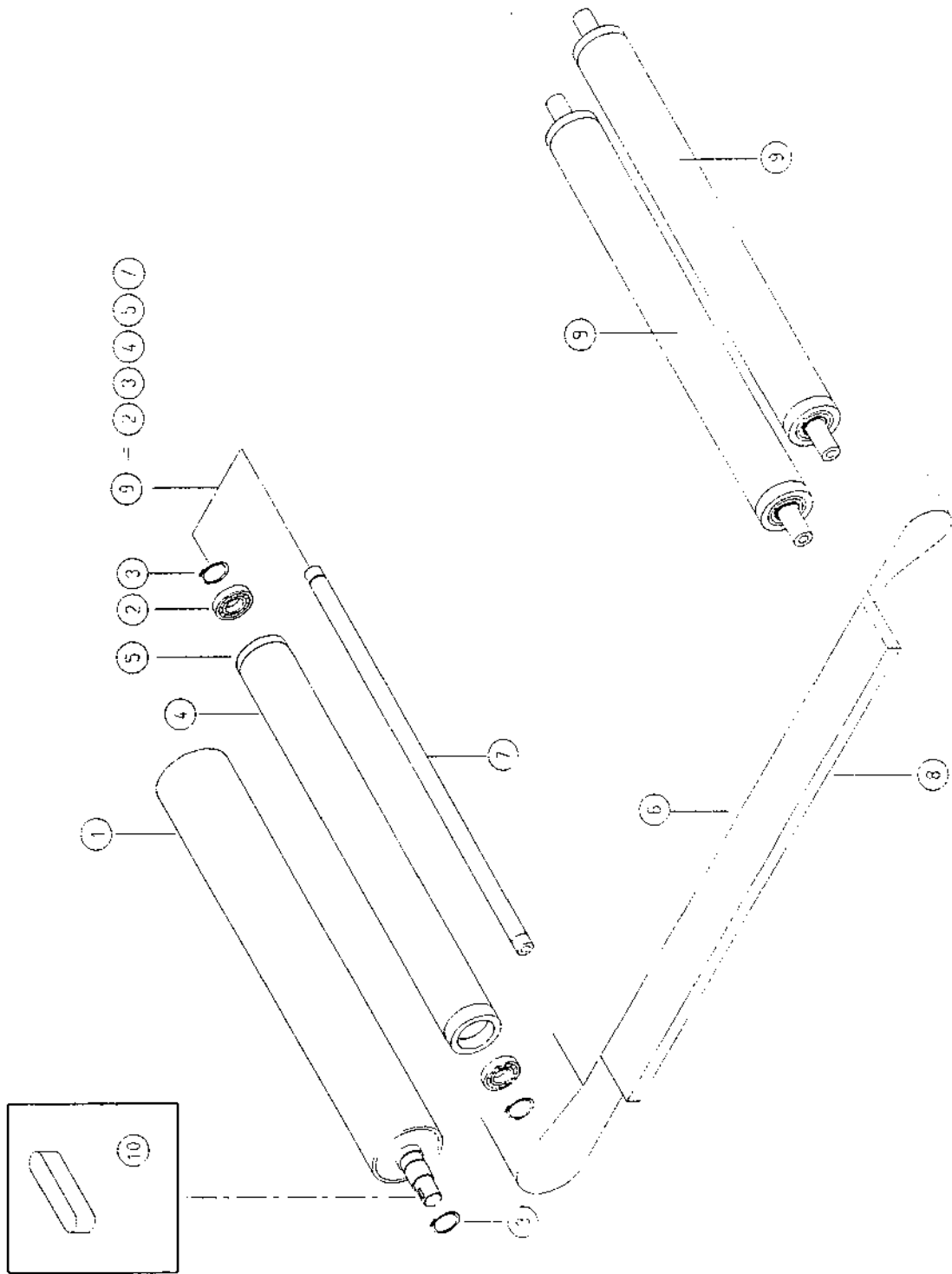
Type		Spare Parts List			Page
LP 551		Pressure Control			9-9.2
Pos.	Part No.	Part Name	Description	Quant.	
22	111 027	Fitting, Elbow ESVS	WE 8LLR Brass	1	
23	020 383	Nut, hex	DIN 934 M16 A2	1	
24	006 002	Hose	8x1 Pa-Natur.	2	

TYPE LP 551

CONVEYOR ASSEMBLY

Page

9-10.0



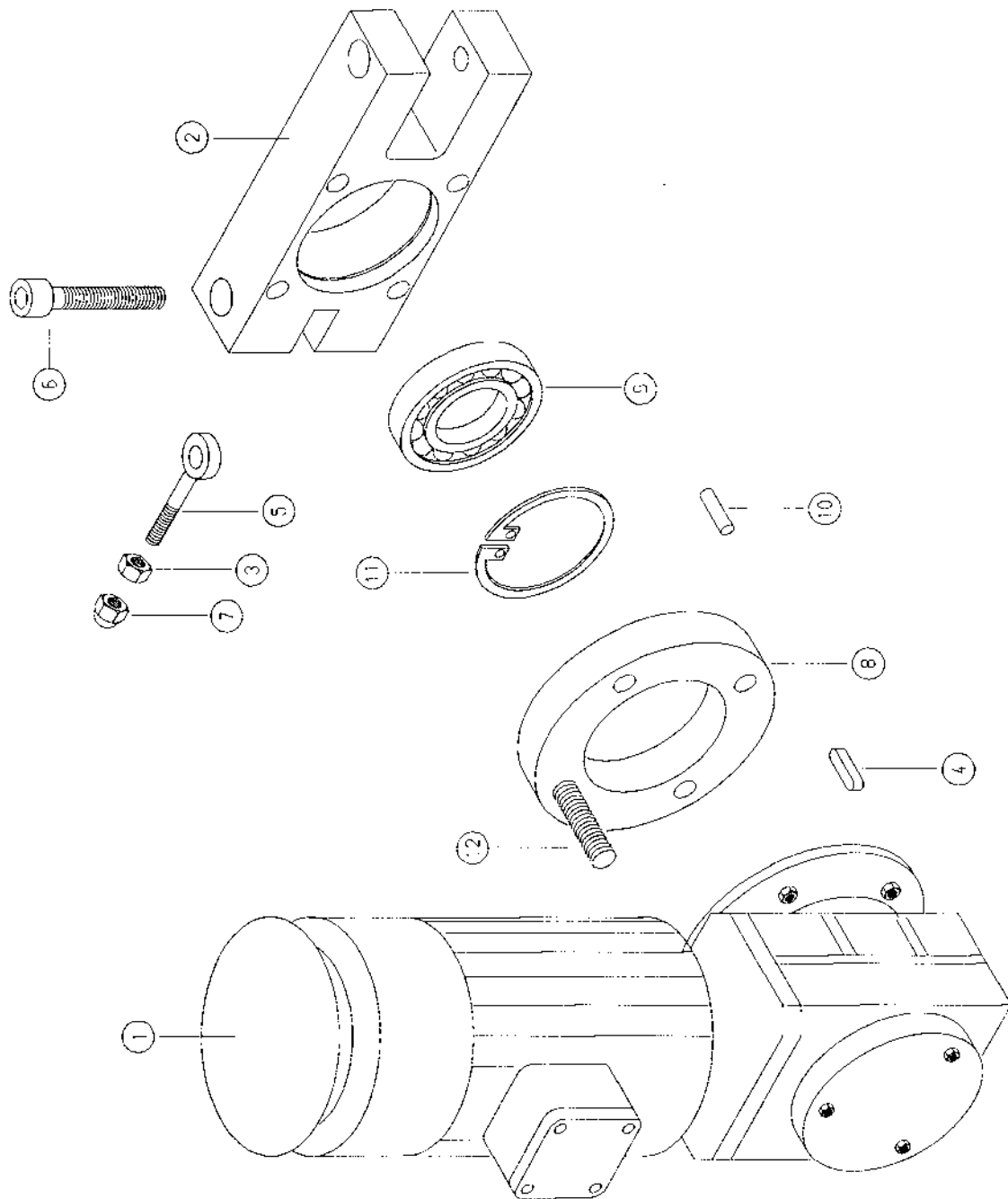
Type		Spare Parts List		Page
LP 551		Conveyor Assembly		9-10.1
Pos.	Part No.	Part Name	Description	Quant.
1	212 025-2	Roller, Drive rubber-coated		1
2	100 032	Bearing, Ball	6205 2RS SS	6
3	025 002	Ring, Snap	DIN 471 25x1.2 SS	6
4	212 044-4	Tube	d = 80x4x825	3
5	211 488-4	Hub, Nylon		6
6	122 089	Belt, Conveyor	830x2850x5	1
7	212 043-4	Shaft	d = 25x853	3
8	212 049-2	Plate, Drainage		1
9	212 045-3	Roller, compl.	d = 80	3
10	103 155	Key	DIN 6885 6x6x35	1
11				
12				
13				
14				
15				
16				
17				
18				
19				
20				
21				

TYPE LP 551

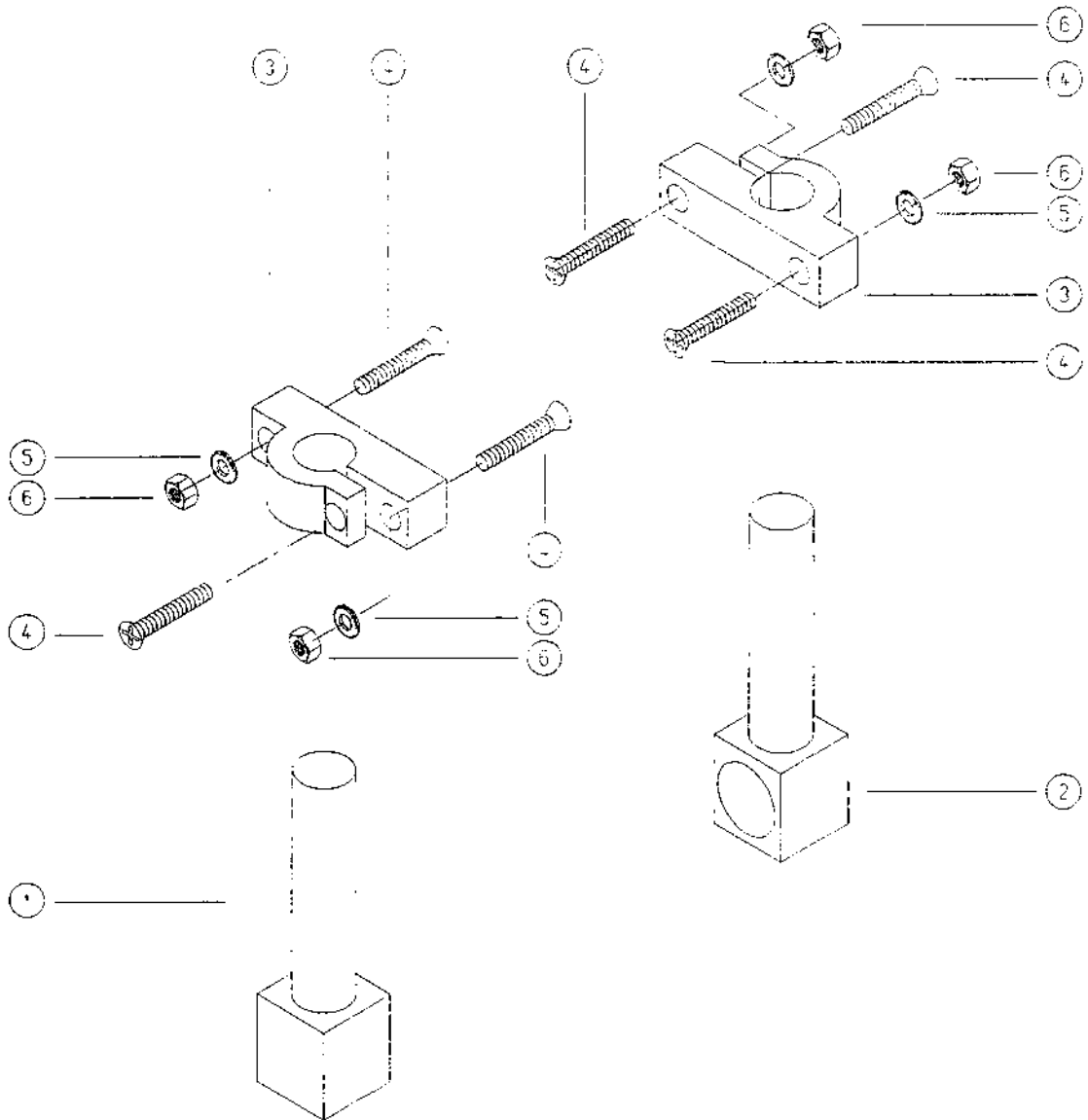
CONVEYOR DRIVE TENSIONER

Page

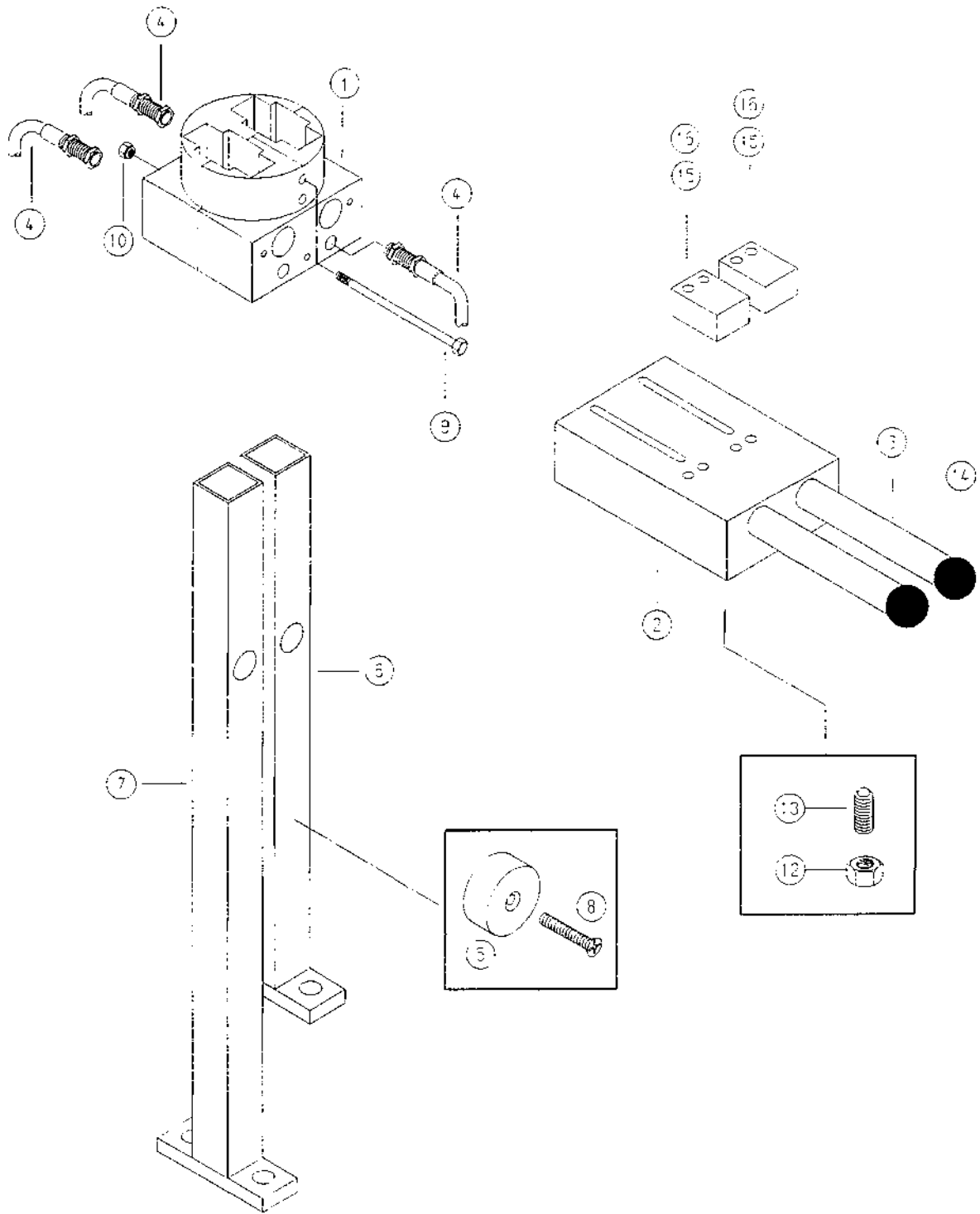
9-11.0



Type		Spare Parts List			Page
LP 551		Conveyor Drive Tensioner			9-11.1
Pos.	Part No.	Part Name	Description	Quant.	
1		Gear Motor indicate voltage and frequency		1	
2	212 188-3	Bracket, Tensioner		2	
3	020 032	Nut, Hex	DIN 934 M8 A2	1	
4	103 155	Key	DIN 6885 6x6x36	1	
5	020 430	Bolt, Eye	DIN 444 M8x60 A2	2	
6	020 427	Boit, Allen	DIN 912 M8x50 A2	2	
7	020 033	Nut, Cap	DIN 1587 M8 A2	2	
8	211 009-3	Flange, Gear Motor		1	
9	100 032	Bearing, Ball	6205 2 RS SS	2	
10	020 728	Pin	DIN 7 5x30 m6 A2	2	
11	025 045	Ring, Snap	DIN 472 52x2	2	
12	020 727	Stud	DIN 551 M8x40 A2	4	



Type		Spare Parts List			Page
LP 551		Fotocell and Bracket			9-12.1
Pos.	Part No.	Part Name	Description	Quant.	
1	135 843	Transmitter, Fotocell	WS 75/2	1	
2	135 844	Receiver, Fotocell	WS 75/4	1	
3	135 848	Bracket, Fotocell	Alu.	2	
4	020 199	Screw, CS	DIN 965 M4x20 SS	6	
5	020 045	Washer, Flat	DIN 125 4.3 SS	4	
6	020 030	Nut, Hex	DIN 934 M4 SS	4	
7					
8					
9					
10					
11					
12					
13					
14					
15					
16					
17					
18					
19					
20					
21					



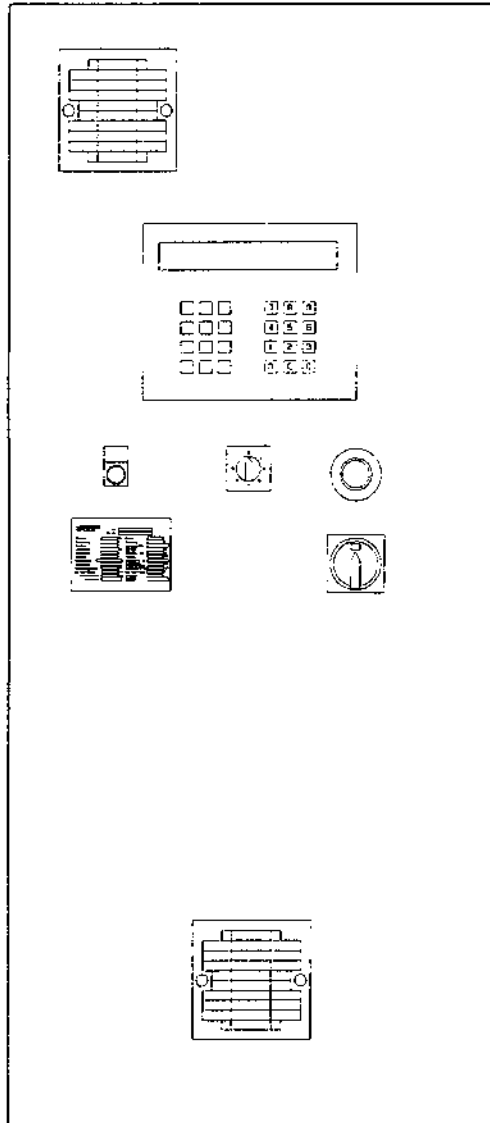
Type		Spare Parts List			Page
LP 551		Control Rods and Supports			9-13.1
Pos.	Part No.	Part Name	Description	Quant.	
1	211 500-3	Guide, Split Housing		1	
2		Bracket, Support	indicate serial number	1	
3		Rod, Support	indicate serial number	2	
4	135 472	Switch, Magnetic	181313	5	
5	136 402	Magnet		5	
6		Rod, Control Ram	indicate serial number	1	
7		Rod, Control Basket	indicate serial number	1	
8	020 167	Bolt, CS	DIN 965 M4x16 SS	6	
9	020 067	Bolt, Hex	DIN 931 M8x140	2	
10	020 043	Nut, Hex self-ocking.	DIN 985 M8 SS	2	
11					
12	020 360	Nut, Hex	DIN 934 M12 SS	2	
13	020 800	Lock, Ball	GN 616-M12-k	2	
14	125 052	Handle, Ball	DIN 319 KU-25-M10-E	2	
15	136 420	Switch, Limit		2	
16	020 297	Bolt, Allen	DIN 84 M4x16	4	

TYPE LP 551

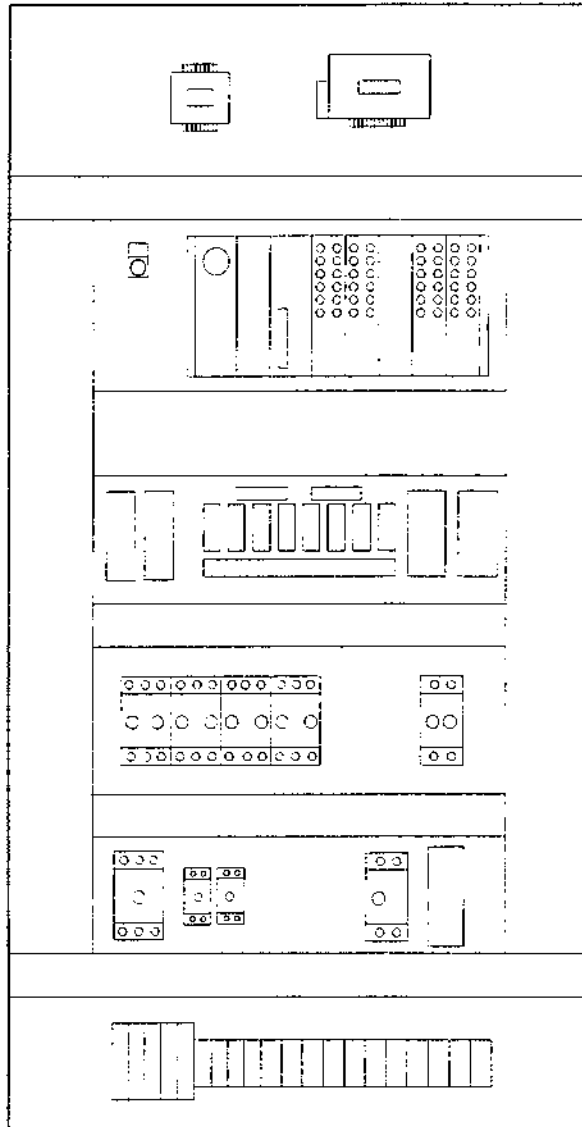
CONTROL ELEMENTS

Page

9-14.0



PARTS ARE LISTED IN WIRING DIAGRAM



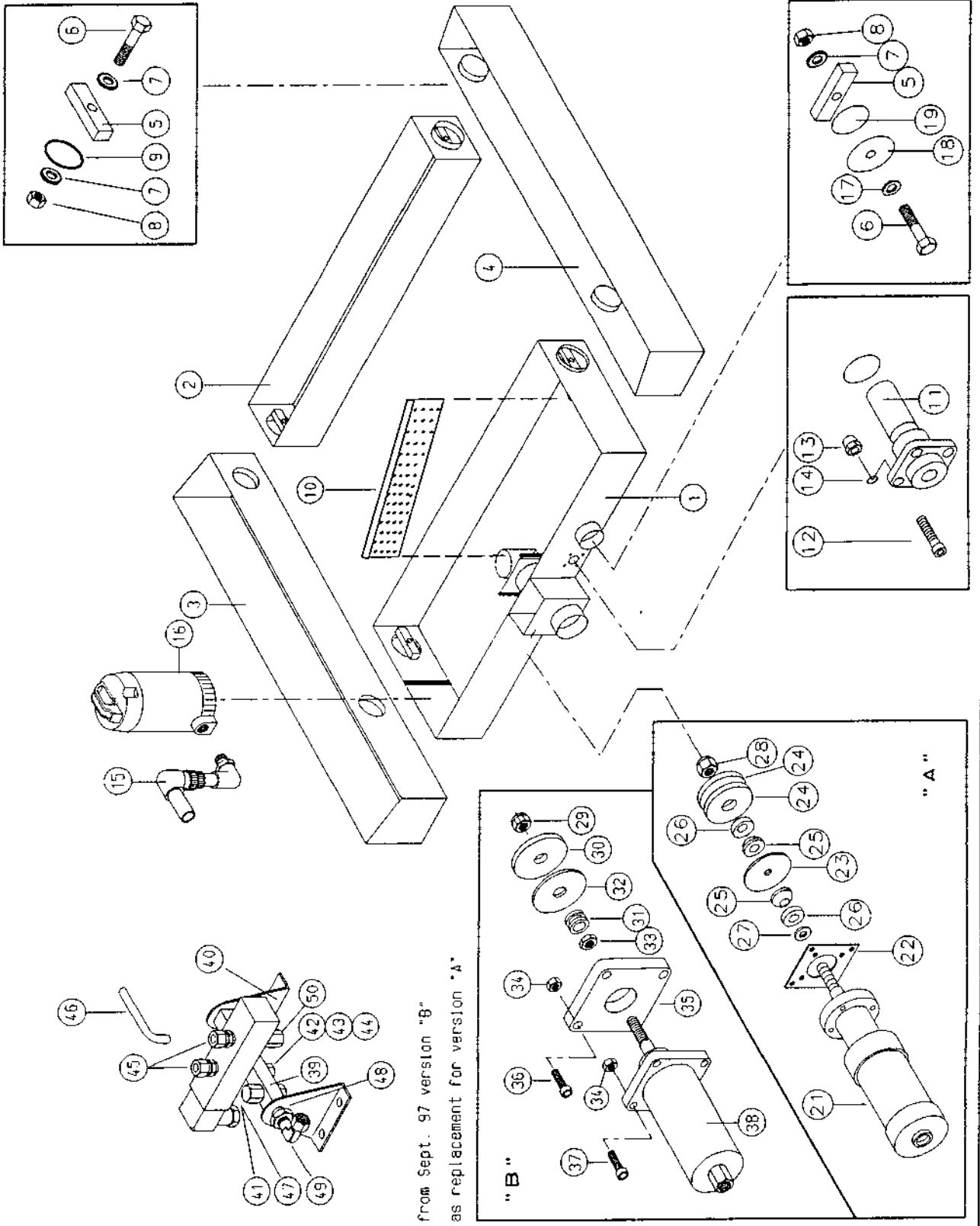
PARTS ARE LISTED IN WIRING DIAGRAM

TYPE LP 551

WATER TANK

Page

9-16.0



from Sept. 97 version "B"
as replacement for version "A"

Type		Spare Parts List			Page
LP 551		Water Tank			9-16.1
Pos.	Part No.	Part Name	Description	Quant.	
1	212 196-2	Water Tank, Entry Side		1	
2	212 207-2	Water Tank, Exit Side		1	
3	212 212-2	Water Tank, Left		1	
4	212 213-2	Water Tank, Right		1	
5	210 116-4	Bracket, Clamping	20x20x110 A2	5	
6	020 170	Bolt, Hex	DIN 933 M10x80 A2	5	
7	020 097	Washer, Flat	DIN 125 10.5 A2	9	
8	020 171	Nut, Hex	DIN 934 M10 A2	5	
9	028 012	O-Ring	105x5	4	
10	212 211-3	Screen, Lint		4	
11	135 828	Switch, Level with O-Ring (4 pcs.) Replacement 135 833	SU 28555 10.2 6x1.5	1	
	135 833	Switch, level	SU/SO	1	
12	020 473	Bolt, Allen	DIN 912 M5x16 A2	4	
13	210 924-4	Nut, Cap	M5 A2	4	
14	028 108	O-Ring	6x1.5	4	
15	030 208	Connection, Pump	PVC	1	
	212 666-4	Connection, Pump for Pum K7		1	
16		Pump, submersible indicate type, voltage and frequency.	0.75 kW	1	
17	028 006	Ring, Usit	UA 16x10x1,5	1	
18	210 467-4	Cover	PA	1	
19	028 013	O-Ring	94x3	1	
20					

Type		Spare Parts List			Page
LP 551		Water Tank			9-16.2
Pos.	Part No.	Part Name	Description	Quant.	
21	112 219	Cylinder	A-SE-FA	1	
22	211 997-4	Cover, Cylinder		1	
23	211 998-4	Washer, Seal		1	
24	211 999-4	Seal, Rubber		2	
25	021 038	Washer, Spherical	DIN 6319	2	
26	021 039	Washer, Cup	DIN 6319	2	
27	212 394-4	Washer	22x5	1	
28	021 105	Nut, Hex selflock	DIN 985 M10 A2	1	
	111 800	Valve, Solenoid Battery	DC24V	1	
	111 910	Valve, Solenoid	DC24V	1	
		Notice: Pos 21 - 28 Repl. 213 075-3			
	213 075-3	Modification Kit for Drain Valve to Version B consists of Pos 29 - 50.			
29	021 207	Nut, Hex selflock.	DIN 985 M10 A2	1	
30	211 999-4	Seal	Type 571	1	
31	137 037	Grommet		1	
32	213 077-4	Washer, Seal	Type 571	1	
33	021 208	Nut, Hex	DIN 439 M10 A2	1	
34	020 420	Nut, Hex selflock.	DIN 985 M6 A2	6	
35	213 076-4	Flange, Cylinder	Type 571	1	

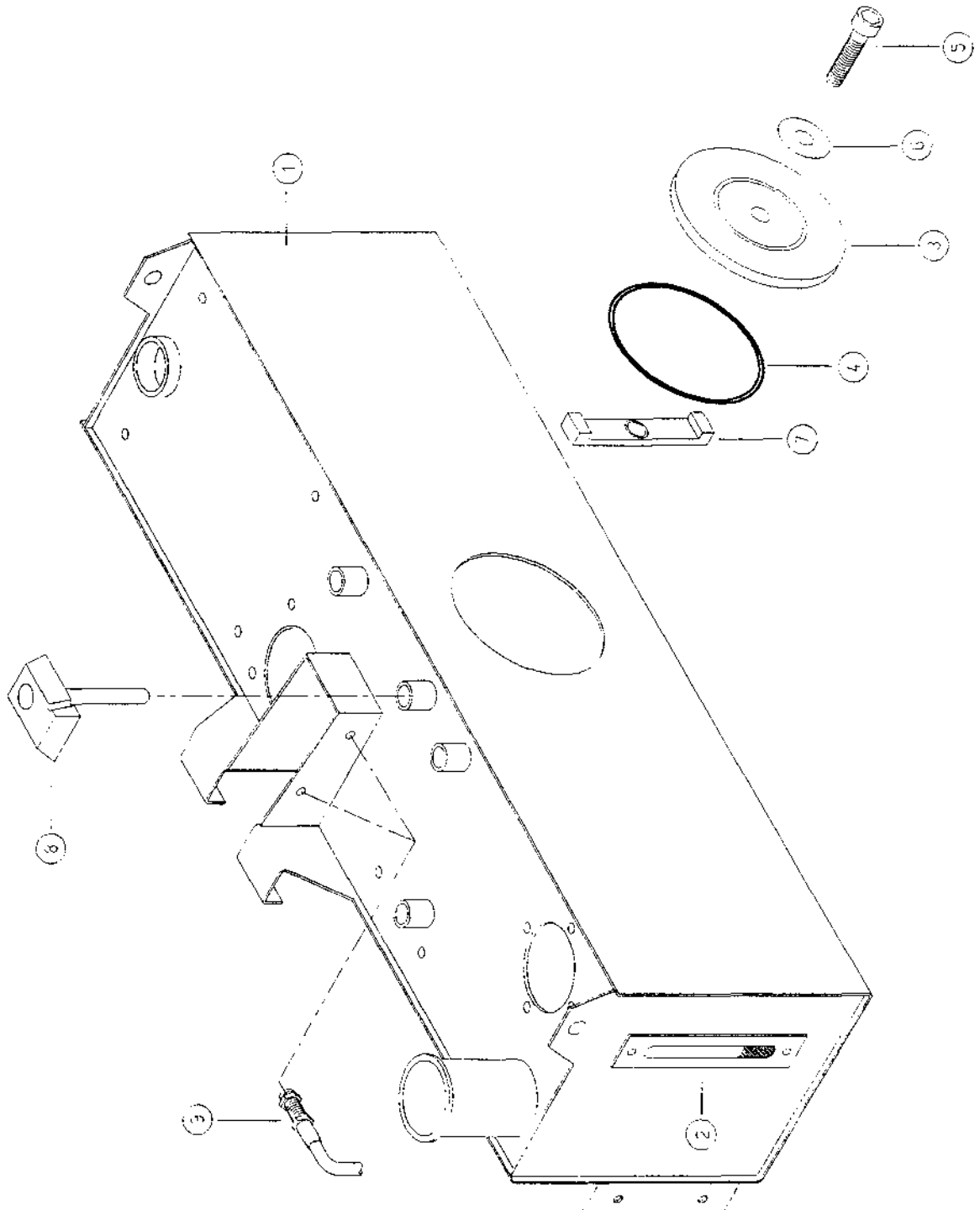
Type		Spare Parts List			Page
LP 551		Water Tank			9-16.3
Pos.	Part-No.	Part-Name	Description	Quant.	
36	020 003	Bolt, Allen	DIN 912 M6x20 A2	4	
37	020 004	Bolt, Allen	DIN 912 M6x25 A2	2	
38	112 496	Cylinder	DFK-25-50P	1	
39	112 303	Bracket, Valve Solenoid Twin	1xfree, 1xblind	1	
40	112 253	Holder, Solenoid Battery		2	
41	112 392	Valve, Solenoid 4/2	10 bar, 24 VDC	1	
42	111 941	Bolt, Banjo	NG6, R 1/8"	1	
43	028 160	O-Ring	13x2	1	
44	028 287	Seal, Lip		1	
45	112 501	Fitting	CK-1/8-PK-4	2	
46	006 082	Hose, Plastic	PU-4 blue	10	
47	112 034	Muffler for Valve Battery	G 1/8"	1	
48	111 048	Nipple, Reducer	RI 3/8"x1/4"	1	
49	111 082	Fitting, Elbow	WE 8 R 1/4	1	
50	111 034	Fitting	GE 8 LLR 1/8	1	
Pos: 39, 40, 42, 43, 44, 48, 49 obsolete as of Dec. 97					

TYPE LP 551

OIL TANK

Page

9-17.0



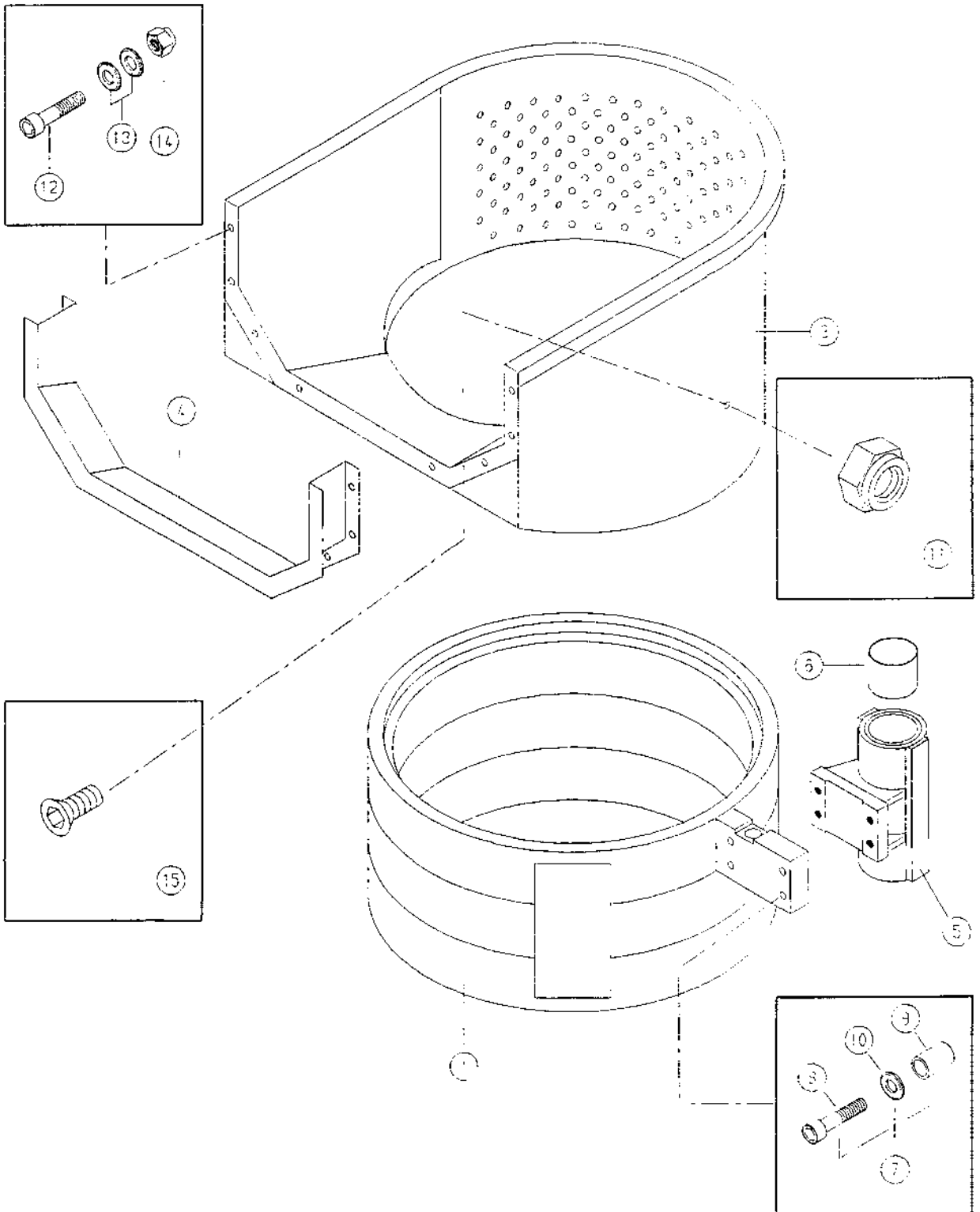
Type		Spare Parts List		Page
LP 551		Oil Tank		9-17.1
Pos.	Part No.	Part Name	Description	Quant.
1	212 070-1	Tank, Oil		1
2	125 053	Gauge, Level Oil	GN-650-254-A	1
3	111 005	Cover, Cleaning	RD 235	1
4	028 008	O-Ring	214x5 oil resist.	1
5	020 012	Bolt, Allen	DIN 912 M16x50	3
6	028 007	Usit-Ring	U 18.7x26x1.5	1
7	212 295-4	Strap, Locking		1
8	135 001	Thermostat	0-90° C	1
9	135 472	Switch, Magnetic	181313	2
10				
11				
12				
13				
14				
15				
16				
17				
18				
19				
20				
21				

TYPE LP 551

BASKET

Page

9-18.0



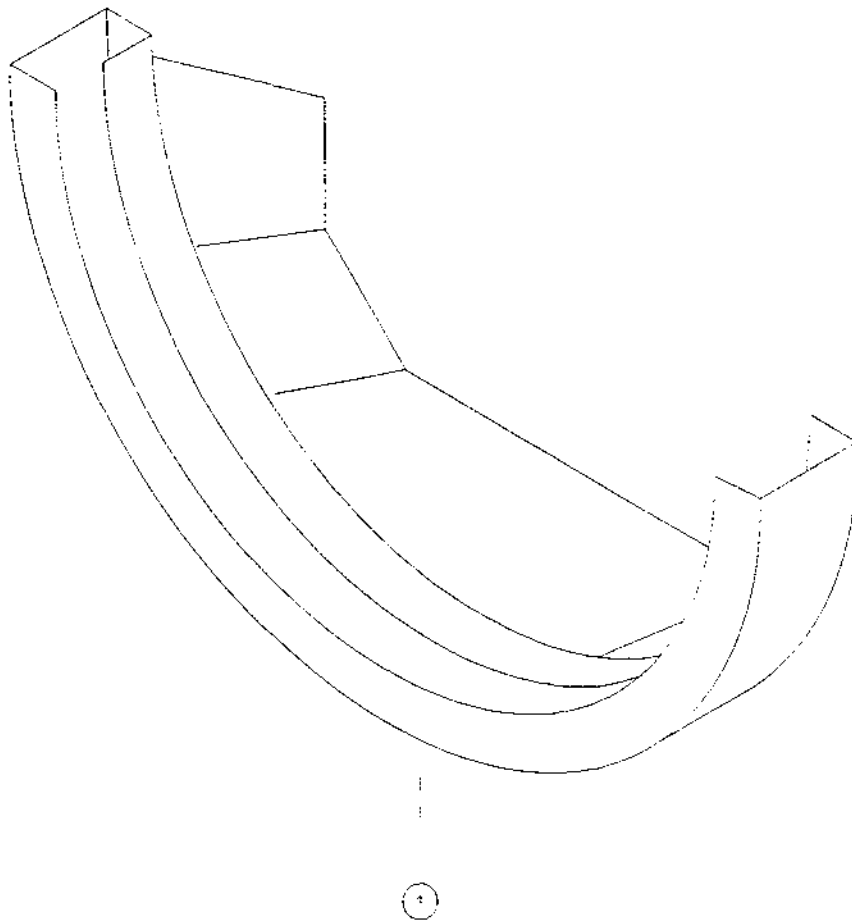
Type		Spare Parts List			Page
LP 551		Press Basket			9-18.1
Pos.	Part No.	Part Name	Description	Quant.	
1	212 097-1	Basket Frame		1	
2					
3		Basket Upper , indicate serial no.		1	
4	212 170-2	Spacer		1	
5	212 047-3	Guide, Basket	Aiu.	2	
6	100 147	DU-Bushing	105/100/60	4	
7	212 052-4	Fastener compl.			
8	212 051-4	Fastener	M16x100 Spec.Bolt		
9	211 249-4	Bushing, Spacer	20x3x20 MS	16	
10	020 048	Washer	DIN 125 17 Niro	16	
11	020 470	Nut, Hex self-locking	DIN 985 M8 Niro	16	
12	020 003	Bolt, Allen	DIN 912 M6x20 Niro	8	
13	020 046	Washer	DIN 125 6.4 Niro	16	
14	020 420	Nut, Hex self-locking	DIN 985 M6 Niro	8	
15	020 073	Screw, Countersink	DIN 7991 M8x25 Niro	16	
16	212 272-2	Guide, Split			

TYPE LP 551

CHUTE

Page

9-19.0



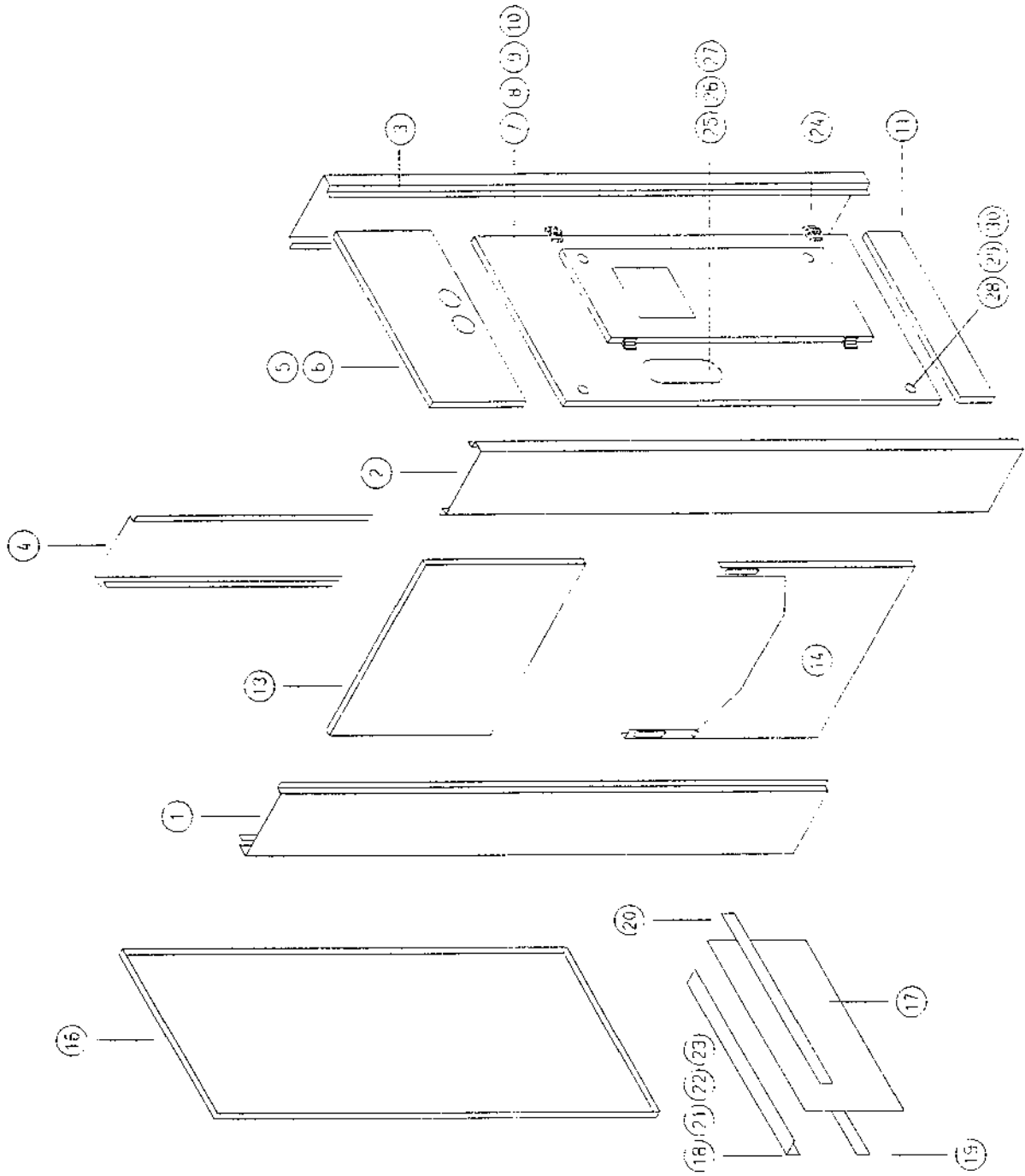
Type		Spare Parts List		Page
LP 551		Chute		9-19.1
Pos.	Part No.	Part Name	Description	Quant.
1		Chute	indicate serial number	1
2	028 003	Sealant	310 ml cartridge	1

TYPE LP 551

PANELS

Page

9-20.0



Type		Spare Parts List		Page
LP 551		Panels		9-20.1
Pos.	Part No.	Part Name	Description	Quant.
1	212 226-3	Panel, Corner Entry Left		1
2	212 225-3	Panel, Corner Entry Right		1
3	212 124-3	Panel, Corner Exit Left		1
4	212 123-3	Panel, Corner Exit Right		1
5	212 136-3	Panel, Upper Side	w. manometer hole.	1
6	212 231-3	Panel, Upper Side	w.o. manometer hole.	1
7	212 138-5	Door with Control Cabinet Right		1
8	212 139-5	Door, Side		1
9	212 248-5	Door with Control Cabinet Left		1
10	212 249-5	Door, Side Left		1
11	212 228-3	Panel, Lower		1
12				
13	212 230-3	Panel, Entry Upper		1
14	212 131-3	Panel, Chute		1
15				
16	212 229-3	Panel, Exit		1
17	212 256-4	PVC-Curtain	5.0x490x845	1
18	212 254-4	Angle, for PVC-Curtain		1
19	212 267-4	Strap, for PVC-Curtain		1
20	212 255-4	Strap, for PVC-Curtain		1

Type		Spare Parts List			Page
LP 551		Panels			9-20.2
Pos.	Part No.	Part Name	Description	Quant.	
21	020 571	Bolt, Carriage	DIN 603 M6x20	10	
22	020 420	Nut, Hex self-locking	DIN 985 M6	5	
23	020 349	Bolt, Hex	DIN 933 M6x16 A2	5	
24	121 002	Hinge, Bolt-On	1056 - U 12	6	
25	122 001-4	Pane	4x140x490	1	
26	005 701	Profile, Rubber	1010400	1	
27	005 702	Profile, Filler	1040100	1	
28	121 060	Tongue	1000 - 27	4	
29	121 138	Lever	1000 - U 1	4	
30	121 061	Housing, Lock	1000 - U 221	4	