

# ILLUSTRATED PARTS MANUAL

FOR

## LAVADRY

**FL 646            TT 746**  
**FL 656            TT 756**  
**FL 657            TT 757**

Serial N°	
Wiring Diagram	

1998	01	DE
1999	02	DA
2000	03	EN ●
2001	04	ES
2002	05	FI
2003	06 ●	FR
2004	07	IT
2005	08	NL
2006	09	NO
2007 Ø	10	PT
2008 ●	11	RU
2009	12	SE

### **LAVATEC**

**L A V A T E C**  
Wäschereimaschinen  
**GMBH & CO. KG**  
Wannenäckerstraße 53  
D - 74 078 Heilbronn  
P . O . B . 2 5 6 5  
D - 74 015 Heilbronn  
Phone 0 71 31 / 2980  
Fax 0 71 31 / 2 30 51

## **9. SPARE PARTS LIST**

### **ORDERING SPARE PARTS**

When ordering spare parts, the following information is required:

1. Model and serial number of the equipment (located on the serial number plate).
2. Part number, part name and quantity required. Please use this manual to facilitate ordering.
3. When ordering electrical motors, please include complete serial number plate data, motor manufacturer, and wiring diagram.

Our service and parts department is staffed with specially trained personnel to assist you with your ordering and parts needs. Please do not hesitate to call if we can be of any assistance to you.

**SUBJECT TO CHANGES WITHOUT NOTICE**

## 9.1 TABLE OF CONTENT

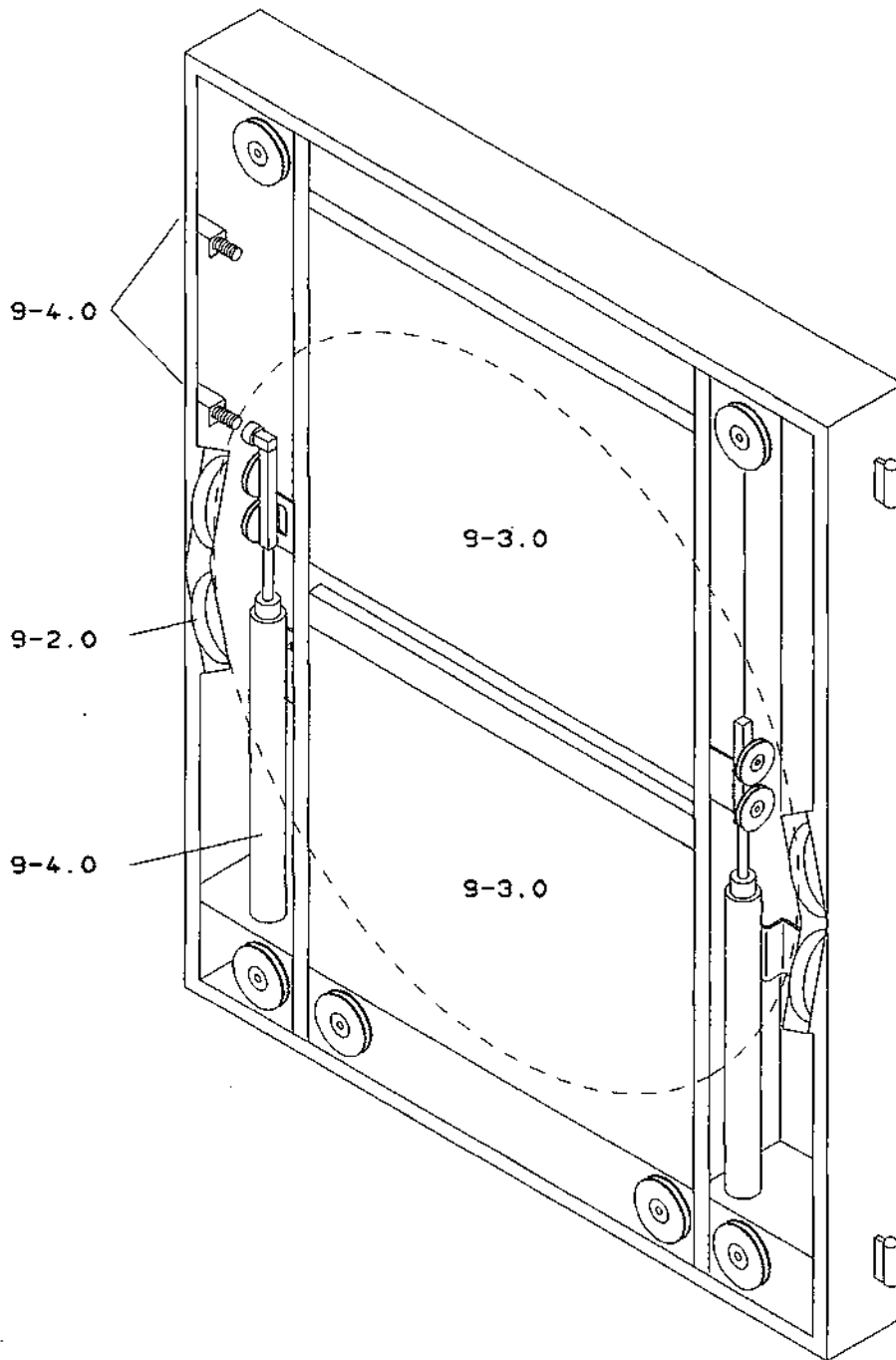
	Page
Table of Contents	9-0.1
Front and Rear Panel (Overview)	9-1.0
Thrust Roller Assembly	9-2.0
Lift Door Top and Bottom, Front and Rear Panel	9-3.0
Cylinder Assembly and Cable Layout	9-4.0
Drum with Drive and Seals	9-5.0
Drum Suspension	9-6.0
Drive Assembly, Lint Collector	9-7.0
Lint Screen	9-8.0
Burner, Burner Blower and Control Flap, until 31.12.2006	9-9.0
Burner, Burner Blower and Control Flap, from 01.01.2007	9-9.5
Free	9-10.0
Gas System with Pressure Switch 230V - 50Hz, until 31.12.2006	9-11.0
Gas System with Multiblock 230V - 50Hz, from 01.01.2007	9-11.5
Gas System with Multiblock 230V 50Hz USA, from 01.01.2007(Type 657, 757)	9-11.10
Gas System with Pressure Switch 115V – 60Hz	9-12.0
Gas System with Pressure Switch 115V – 60Hz USA-CDN	9-13.0
Gas Heating, Line Burner Minnox USA-CDN-60Hz	9-13.5
Heat Exchanger and Steam Screen	9-14.0
Cylinder Assembly, Make-Up Air Flap	9-15.0
Cylinder Assembly, Exhaust and Bypass Flap	9-15.5
Pneumatic System	9-16.0
Tilt System with Tilt Support	9-17.0
Lint Suction System	9-18.0
Lint Suction System	9-18.5
Blower Assembly	9-19.0
Sprinkler System	9-20.0
Monitoring and Infrared Sensor 230V - 50 Hz	9-21.0
Monitoring and Infrared Sensor 115V - 50 Hz	9-22.0
Monitoring and Infrared Sensor 115V - 60 Hz USA und Canada	9-23.0

TYPE 646, 656, 657  
746, 756, 757

FRONT AND REAR PANEL  
(OVERVIEW)

Page

9-1.0

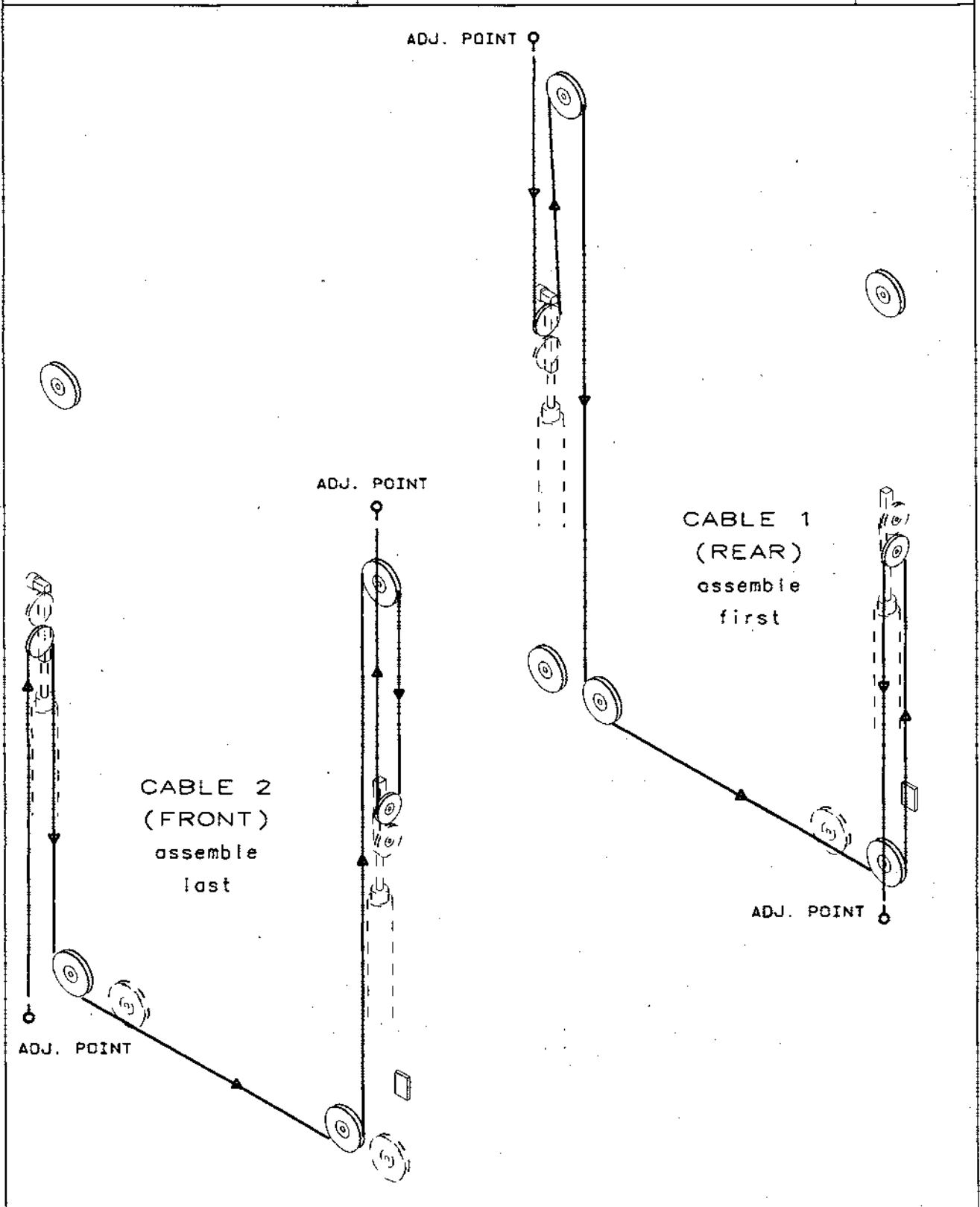


TYPE 646, 656, 657  
746, 756, 757

CABLE LAYOUT  
(OVERVIEW)

Page

9-1.1



TYPE 646, 656, 657  
746, 756, 757

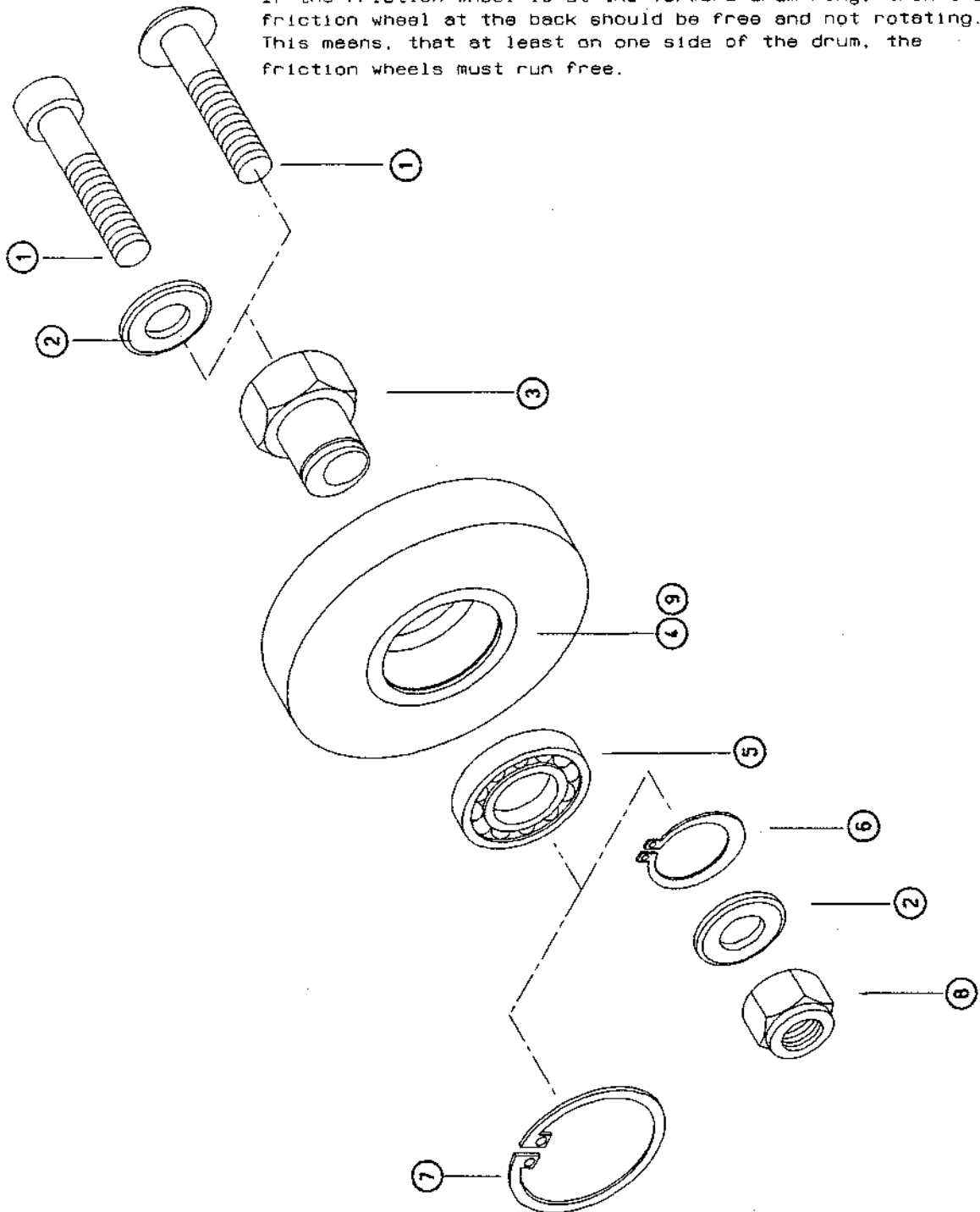
THRUST ROLLER ASSEMBLY

Page

9-2.0

Adjustment instruction

If the friction wheel is at the forward drum ring, then the friction wheel at the back should be free and not rotating. This means, that at least on one side of the drum, the friction wheels must run free.



Type 646,656,657, 746,756,757		Spare Parts List Thrust Roller Assembly			Page 9-2.1
Pos.	Part No.	Part Name	Description	Quant.	
1	020 010	Bolt, Allen (Type 746)	DIN 912 M10x50	4	
	020 606	Bolt, Carriage (Type 756,757)	DIN 603 M10x65	8	
2	020 052	Washer (Type 746)	DIN 125 10,5	4	
	020 052	Washer (Type 756, 757)	DIN 125 10,5	8	
3	223 343-4	Bolt, Eccentric (Type 746)		4	
	223 343-4	Bolt, Eccentric (Type 756, 757)		8	
4	223 342-4	Wheel, Friction (Type 746)	D=98 mm	4	
	223 511-4	Wheel, Friction (Type 756, 757)	D=105 mm	8	
5	100 031	Bearing, Ball (Type 746)	6205 2RS	4	
	100 031	Bearing, Ball (Type 756, 757)	6205 2RS	8	
6	025 005	Ring, Snap (Type 746)	DIN 471 A25x1,2	4	
	025 005	Ring, Snap (Type 756, 757)	DIN 471 A25x1,2	8	
7	025 007	Ring, Snap (Type 746,756,757)	DIN 472 J 52x2	4	
8	020 274	Nut, Lock (Type 756, 757)	DIN 980 M10	8	

Type		Spare Parts List		Page
646,656,657, 746,756,757		Thrust Roller Assembly		9-2.2
Pos.	Part No.	Part Name	Description	Quant.
9	236 613-4	Roller, Thrust Assembly (Type 746)		4
	224 770-4	Roller, Thrust Assembly (Type 756,757)		8
	914 046-5	Wheel, Friction Pos.: 4, 5, 7 (Type 746)		
	236 218-5	Wheel, Friction Pos: 4, 5, 7 (Type 756, 757)		

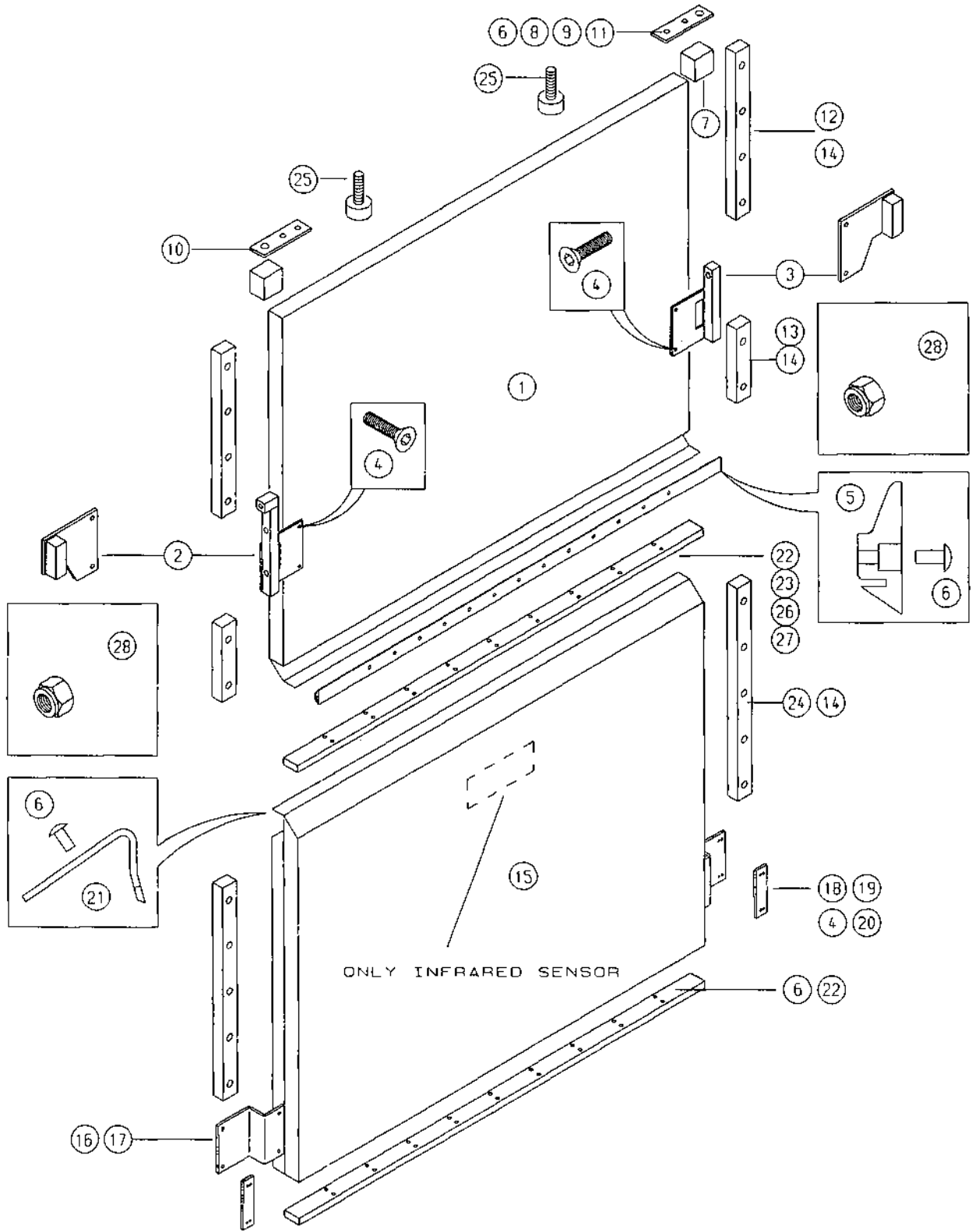


646.656.657  
TYPE  
746.756.757

LIFT DOOR TOP AND BOTTOM  
FRONT AND REAR PANNEL

Page

9-3.0



Type		Spare Parts List			Page
646,656,657, 746,756,757		Lift Door Top and Bottom  Front and Rear Panel			9-3.1
Pos.	Part No.	Part Name	Description	Quant.	
1	230 112-1	Door, Lift top compl. (Type 746) Replacem. 239 242-3		1	
	239 242-3	Door, Lift top compl. (Type 746) for Door, Lift bottom „moving“		1	
	230 707-1	Door, Lift top compl. (Type 756,757) Replacem. 239 146-1		1	
	239 146-1	Door, Lift top compl. (Type 756,757) Replacem. 239 146-3		1	
	239 146-3	Door, Lift top (Type 756,757) for Door, Lift bottom „moving“		1	
	270 930-2	Door, Lift top (Type 756,757) for 900mm stroke		1	
	239 246-3	Door, Lift top compl. (Type 646) for Door, Lift bottom „fixed“		1	
	239 144-3	Door, Lift top compl. (Type 756,757) for Door, Lift bottom „fixed“		1	
	240 462-3	Door, Lift top „moving“ (Type 746) Mat version		1	
	240 331-3	Door, Lift top „moving“ (Type 756, 757) Mat version		1	
2	230 124-3	Bracket, Cylinder left (Type 746)		1	
	230 709-3	Bracket, Cylinder left (Type 756, 757)		1	
	270 968-4	Bracket, Cylinder left for (Type 756, 757) Door, Lift top 900mm stroke		1	
3	230 120-3	Bracket, Cylinder right (Type 746)		1	
	230 710-3	Bracket, Cylinder right (Type 756, 757)		1	
	270 969-4	Bracket, Cylinder right for (Type 756, 757) Door, Lift top 900mm stroke		1	
4	020 777	Screw, Set DIN 7991	M8x12	8	

Type		Spare Parts List			Page
646,656,657, 746,756,757		Lift Door Top and Bottom  Front and Rear Panel			9-3.2
Pos.	Part No.	Part Name	Description	Quant.	
5	238 016-3	Bar, Seal Lift Door top (Type 746) Replacem. 240 464-3	15x12x1240	1	
	240 464-3	Bar, Wiper, Door, Lift top Unloading Side		1	
	238 977-3	Bar, Seal Door, Lift top, (Type 756,757) Replacem. 239 316-3	15x14x1400	1	
	239 316-3	Bar, Wiper, Door, Lift top Unloading Side		1	
6	020 285	Rivet, Pop	4x12	a.r.	
	021 053	Rivet, Pop	4x10	a.r.	
7	230 803-3	Shoe Glide	MS	2	
8	020 460	Bolt, Hex DIN 933	M6x12	2	
9	238 430-4	Bracket, Mounting left		1	
10	230 804-4	Bracket, Mounting right		1	
11	020 764	Screw CS DIN 7991	M16x12	2	
12	230 109-4	Bracket top, Polyamide (Type 746)	20x14x306	2	
	230 704-4	Bracket top, Polyamide (Type 756,757)	20x14x426	2	
13	230 110-4	Bracket bottom, Polyamide (Type 746)	20x14x126	2	
	230 703-4	Bracket bottom, Polyamide (Type 756,757)	20x14x106	2	
14	020 569	Rivet CS DIN 661	4x16 Alu	22	
15	230 113-1	Door, Lift bottom compl. (Type 746) Replacem. 239 098-2		1	
	239 098-2	Door, Lift bottom compl. „moving“ (Type 746)		1	
	239 247-3	Door, Lift bottom compl. „moving“ (Type 746) Mat Version		1	

Type 646,656,657, 746,756,757		Spare Parts List Lift Door Top and Bottom Front and Rear Panel			Page 9-3.3
Pos.	Part No.	Part Name	Description	Quant.	
	230 706-1	Door, Lift bottom compl. (Type 756,757) Replacem. 239 140-1		1	
	239 140-1	Door, Lift bottom compl. (Type 756,757) Replacem. 239 145-3		1	
	239 145-3	Door, Lift bottom compl. (Type 756,757) „moving“		1	
	239 245-3	Door, Lift bottom compl. „fixed“ (Type 746)		1	
	236 445-5	Door, Lift bottom compl. (Type 756,757) „fixed“, Replacem. 236 442-2		1	
	236 442-2	Door, Lift bottom compl. (Type 756,757) „fixed“, Replacem. 239 147-3		1	
	239 147-3	Door, Lift bottom compl. (Type 756,757) „fixed“		1	
	240 461-3	Door, Lift bottom, „moving“ (Type 746) Mat Version		1	
	270 599-3	Door, Lift bottom, „moving“ (Type 746) Mat Version for infrared Sensor		1	
	240 377-3	Door, Lift bottom „moving“ (Type 756/757) Mat Version		1	
	270 596-3	Door, Lift bottom „moving“ (Type 756/757) Mat Version for Infrared Sensor		1	
16	230 126-3	Angle, Mounting bottom (Type 746)		2	
	230 717-3	Angle, Mounting bottom (Type 756,757)		2	
17	230 811-4	Screw, Special	M8x7	4	
18	230 108-4	Bracket, Cable (Type 746)		2	
19	230 721-4	Bracket, Cable (Type 756,757)		2	
20	020 219	Bolt, Allen, Replacem. 021 145	DIN 912 M4x16	8	
	021 145	Bolt, Alien	DIN 912 M4x12	8	

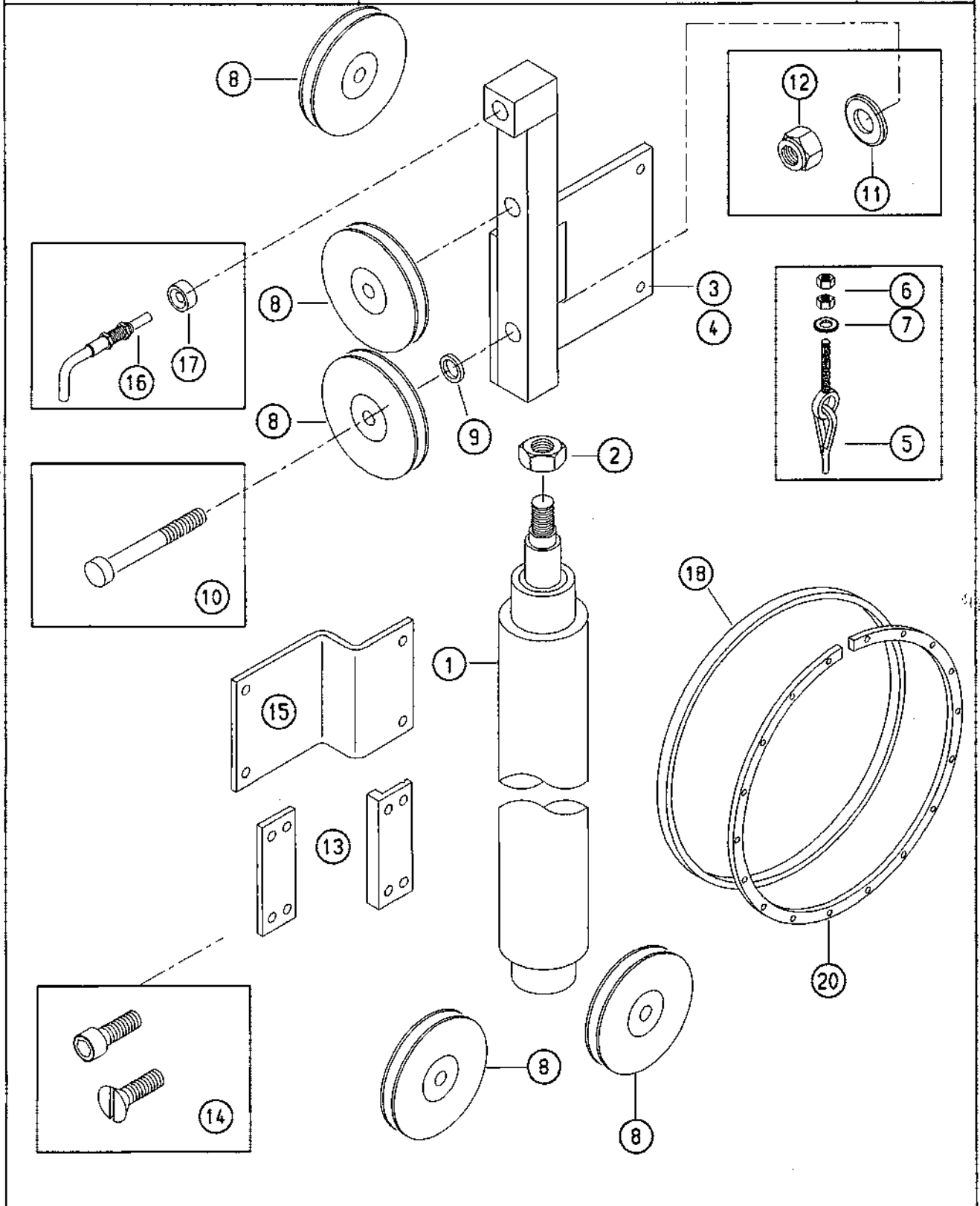
Type		Spare Parts List			Page
646,656,657, 746,756,757		Lift Door Top and Bottom  Front and Rear Panel			9-3.4
Pos.	Part No.	Part Name	Description	Quant.	
21	123 047	Strip, Felt, Replacem. 240 463-3 (Type 746)	5x40x1400	1	
	240 463-3	Bracket, Clamping, Door, Lift bottom Unloading Side (Type 746)		1	
	240 332-3	Bracket, Clamping, Door, Lift bottom Unloading Side (Type 756/757)		1	
22	239 302-3	Polyamid Bar, Flat (Type 756, 757)			
	270 302-3	Polyamid Bar, Flat (Type 746)			
23	123 049	Strip, Felt	15x12x1500	1	
24	230 111-4	Bracket Door, Lift bottom, Poly. (Type 746)	20x14x440	2	
	270 302-3	Door bottom, Flat Polyamide (Type 746)		1	
	230 705-4	Bracket Door, Lift bottom, Poly. (Type 756, 757)	20x14x542	2	
	239 302-3	Door bottom Flat Polyamide (Type 756,757)		1	
25	032 002	Bumper		2	
26	270 794--	Strip, Felt for Door, Lift 900mm stroke	5x25x1400	1	
27	008 002	Cement BE		1	
28	020 043	Nut, Self-locking DIN 800	M8	4	

TYPE 646, 656, 657  
746, 756, 757

CYLINDER ASSEMBLY AND CABLE LAYOUT  
FRONT AND REAR PANEL

Page

9-4.0



Type 646,656,657, 746,756,757		Spare Parts List Cylinder Assembly and Cable Layout  Front and Rear Panel		Page  9-4.1
Pos.	Part No.	Part Name	Description	Quant.
1	230 117-3	Cylinder (Type 746)	RD 2040/540 PA 51290-0540	4
	112 167	Repair Kit for Cylinder 230 117-3	RDP-PD-36729	
	230 729-3	Cylinder (Type 756,757)	RD 2050/540 PA 51780-0640	4
	113 265	Cylinder, Lift Door top for 900mm stroke (Type 756,757)		2
	112 168	Repair Kit for Cylinder 230 729-3 and 113 265	RDP-PD-36730	
2	020 435	Nut, Hex DIN 439/936	M12	4
3	230 124-3	Bracket, Cylinder left (Type 746)		2
	230 709-3	Bracket, Cylinder left (Type 756,757)		2
4	230 120-3	Bracket, Cylinder right (Type 746)		2
	230 710-3	Bracket, Cylinder right (Type 756,757)		2
5	230 100-3	Cable compl. (Type 746)	6685 lg with eye bolt	4
	230 723-3	Cable compl. (Type 756,757)	7850 lg with eye bolt	4
6	020 036	Nut, Hex DIN 934	M6	16
7	020 050	Washer DIN 125	6,4	16
8	226 281-4	Pulley compl.	D=85	20
9	223 752-4	Spacer		20
10	230 115-4	Bolt, Lift Door (Type 746)		8
	020 761	Bolt, Alien (Type 756,757) DIN 6912	M10x50	8
11	020 052	Washer DIN 125	10,5	8

Type 646,656,657, 746,756,757		Spare Parts List Cylinder Assembly and Cable Layout Front and Rear Panel			Page 9-4.2
Pos.	Part No.	Part Name	Description	Quant.	
12	020 274	Nut, Hex lock DIN 980	M10	8	
13	230 108-4	Cable, Clamp (Type 746)		4	
	230 721-4	Cable, Clamp (Type 756,757)		4	
14	020 219	Bolt, Allen, Replacem. 021 145 (Type 746)	DIN 912 M4x16	16	
	021 145	Bolt, Allen	DIN 912 M4x12	16	
	020 777	Screw, Set (Type 756,757)	DIN 7991 M8x12	8	
15	230 126-3	Bracket, Angle (Type 746)		4	
	230 717-3	Bracket, Angle (Type 756,757)		4	
16	135 572	Switch, Magnetic		4	
17	135 573	Magnet		4	
18	123 005	Felt, Repl. 123 082	8x20x4500	3	
	123 082	Felt	8x20x5100	3	
19	008 002	Adhesive	Zement B	1	
20	238 017-3	PTFE Ring for Front and Rear Panel (Type 746)		2	
	237 599-3	PTFE Ring for Front and Rear Panel (Type 756,757)		2	

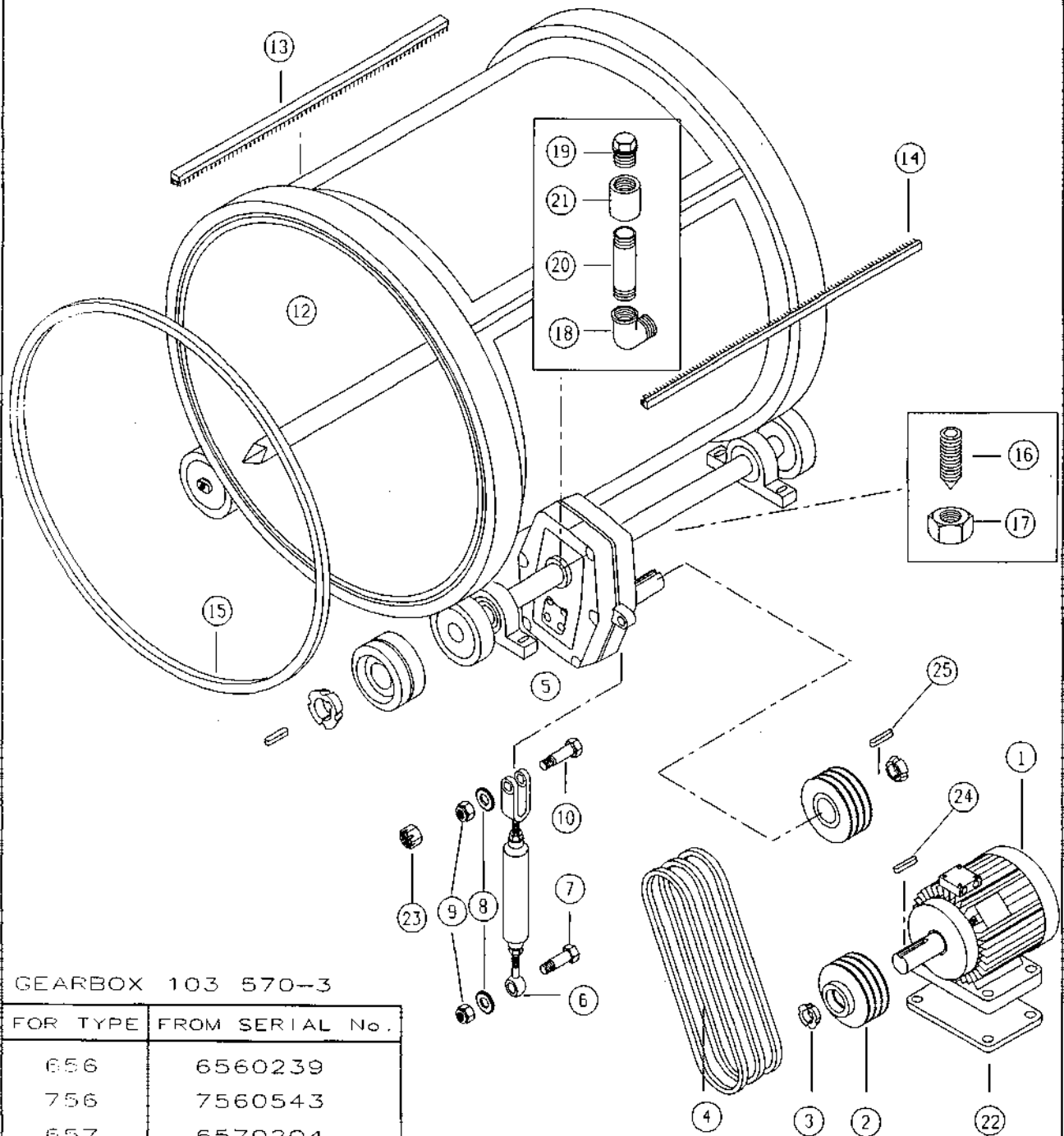


646.656.657  
TYPE  
746.756.757

DRUM WITH DRIVE  
AND SEALS

Page

9-5.0



GEARBOX 103 570-3

FOR TYPE	FROM SERIAL No.
656	6560239
756	7560543
657	6570204
757	7570344

Type 646,656,657, 746,756,757		Spare Parts List Drum with Drive and Seals			Page 9-5.1
Pos.	Part No.	Part Name	Description	Quant.	
1		Motor Indicate Voltage, Frequency and kW			
2	103 033	Pulley, Motor (Type 746)	50Hz DW 112	1	
	103 218	Pulley, Motor (Type 746)	60Hz DW 95	1	
	103 020	Pulley, Motor (Type 756,757) for Gearbox 103 470-3	50Hz DW 100	2	
	103 019	Pulley, Motor (Type 756,757) for Gearbox 103 470-3	60Hz DW 85	2	
	103 575	Pulley, Motor (Type 756,757) for Gearbox 103 570-3	50 Hz DW 85 3-groove	2	
	103 571	Pulley, Motor (Type 756,757) for Gearbox 103 570-3	60 Hz DW 71 3-groove	2	
3	103 035	Taperlock (Type 746) for Gearbox 103 217	50/60Hz 1610/24	1	
	103 035	Taperlock (Type 746) for Gearbox 103 391	50Hz 1610/24	1	
	103 088	Taperlock (Type 746) for Gearbox 103 391	60Hz 1210/24	1	
	103 023	Taperlock (Type 756,757)	1610/28	2	
		Taperlock (Type 756,757) for Gearbox 103 570-3	50 Hz	2	
	103 511	Taperlock (Type 756,757) for Gearbox 103 570-3	60 Hz	2	
4	103 297	V-Belt for Gearbox 103 217 (Type 746)	50Hz SPZ 762	1	
	103 038	V-Belt for Gearbox 103 217 (Type 746)	60Hz SPZ 630	1	
	103 297	V-Belt for Gearbox 103 391 (Type 746)	50/60Hz SPZ 762	2	

Type		Spare Parts List			Page
646,656,657, 746,756,757		Drum with Drive and Seals			9-5.2
Pos.	Part No.	Part Name	Description	Quant.	
	103 086	V-Belt for Gearbox 103 025	(Type 756,757) 50/60Hz SPZ 800	4	
	103 231	V-Belt for Gearbox 103 400	(Type 756,757) 50/60Hz SPZ 850	4	
	103 114	V-Belt for Gearbox 103 470-3	(Type 756,757) 50 Hz SPZ LW900	4	
	103 471	V-Belt for Gearbox 103 470-3	(Type 756,757) 60 Hz SPZ LW887	4	
	103 039	V-Belt for Gearbox 103 570-3	(Type 756,757) 50 Hz XPZ LW837	6	
	103 024	V-Belt for Gearbox 103 570-3	(Type 756,757) 60 Hz XPZ LW825	6	
5	103 217	Gearbox, Replacem. 103 391	(Type 746) C13-45	1	
	103 391	Gearbox	(Type 746)	1	
	103 025	Gearbox, Replacem. 103 400	(Type 756,757) D05-50D	2	
	103 400	Gearbox, Replacem. 103 470-3 (Type 756,757)		2	
	103 470-3	Gearbox, Replacem. 103 570-3	D05✓	2	
	103 570-3	Gearbox with Tapergrip D=50 (*)		2	
6	230 512-3	Bar, Torque for Gearbox 103 217	(Type 746)	1	
	237 479-3	Bar, Torque for Gearbox 103 391	(Type 746)	1	
	222 330-4	Bar, Torque for Gearbox 103 025	(Type 756,757)	2	

Type 646,656,657, 746,756,757		Spare Parts List Drum with Drive and Seals			Page . 9-5.3
Pos.	Part No.	Part Name	Description	Quant.	
	237 292-4	Bar, Torque (Type 756,757) for Gearbox 103 400, Replacem. 240 354-4		2	
	240 354-4	Bar, Torque for Gearbox 103 400		2	
	240 322-4	Bar, Torque (Type 756,757) for Gearbox 103 470-3		2	
	270 580-4	Bar, Torque (Type 756,757) for Gearbox 103 570-3		2	
7	020 329	Bolt, Precision (Type 746)	DIN 610 M12x45	1	
	020 466	Bolt, Precision (Type 756,757)	DIN 610 M12x50	2	
8	020 053	Washer (Type 746)	DIN 125 B13	1	
	020 053	Washer (Type 756,757)	DIN 125 B13	2	
	020 052	Washer for Gearbox 103 570-3 (Type 756,757)	DIN 125 B10.5	2	
9	020 254	Nut, Hex selflocking (Type 746)	DIN 985 M 12	1	
	020 044	Nut, Hex selflocking (Type 756,757)	DIN 980 M 12	4	
10	236 858-4	Bolt (Type 746)		1	
	020 995	Bolt, Precision (Type 756,757)	M12x55	2	
	021 430	Bolt, Precision (Type 756,757) for Gearbox 103 570-3		2	
11	025 062	Ring, Snap (Type 746)	A16	2	
12	230 508-3	Drum with Felt (Type 746)			
	238 006-3	Drum, Replacem. 240 426-5 (Type 646)			
	240 426-5	Drum with Rear Wall and Felt			

Type		Spare Parts List		Page
646,656,657, 746,756,757		Drum with Drive and Seals		9-5.4
Pos.	Part No.	Part Name	Description	Quant.
	230 975-5	Drum with Felt Replacem. 231 057-5	(Type 746) Teflon Version	
	231 057-5	Drum with Felt		
	238 637-5	Drum Replacem. 240 428-5	(Type 646) Teflon Version	
	240 428-5	Drum with Rear Wall and Felt		
	222 746-2	Drum with Felt	(Type 756)	
	237 055-2	Drum Replacem. 240 425-5	(Type 656)	
	240 425-5	Drum with Felt		
	223 034-5	Drum with Felt	(Type 756) Teflon Version	
	237 056-5	Drum Replacem. 240 427-5	(Type 656)	
	240 427-5	Drum with Felt		
	230 607-2	Drum with Felt	(Type 757)	
	240 510-5	Drum with Rear Wall and Felt	(Type 657)	
	230 974-5	Drum with Felt Replacem. 240 387-5	(Type 757) Teflon Version	
	240 387-5	Drum with Felt		
	270 534-5	Drum with Rear Wall and Felt Drum Skin Screwed	(Type 657)	
	239 150-2	Drum with Felt Drum Skin Screwed, with Teflon	(Type 746)	
	239 200-2	Drum with Felt Drum Skin Screwed	(Type 746)	
	270 453-2	Drum with Rear Wall Drum Skin Screwed, with Felt	(Type 646)	

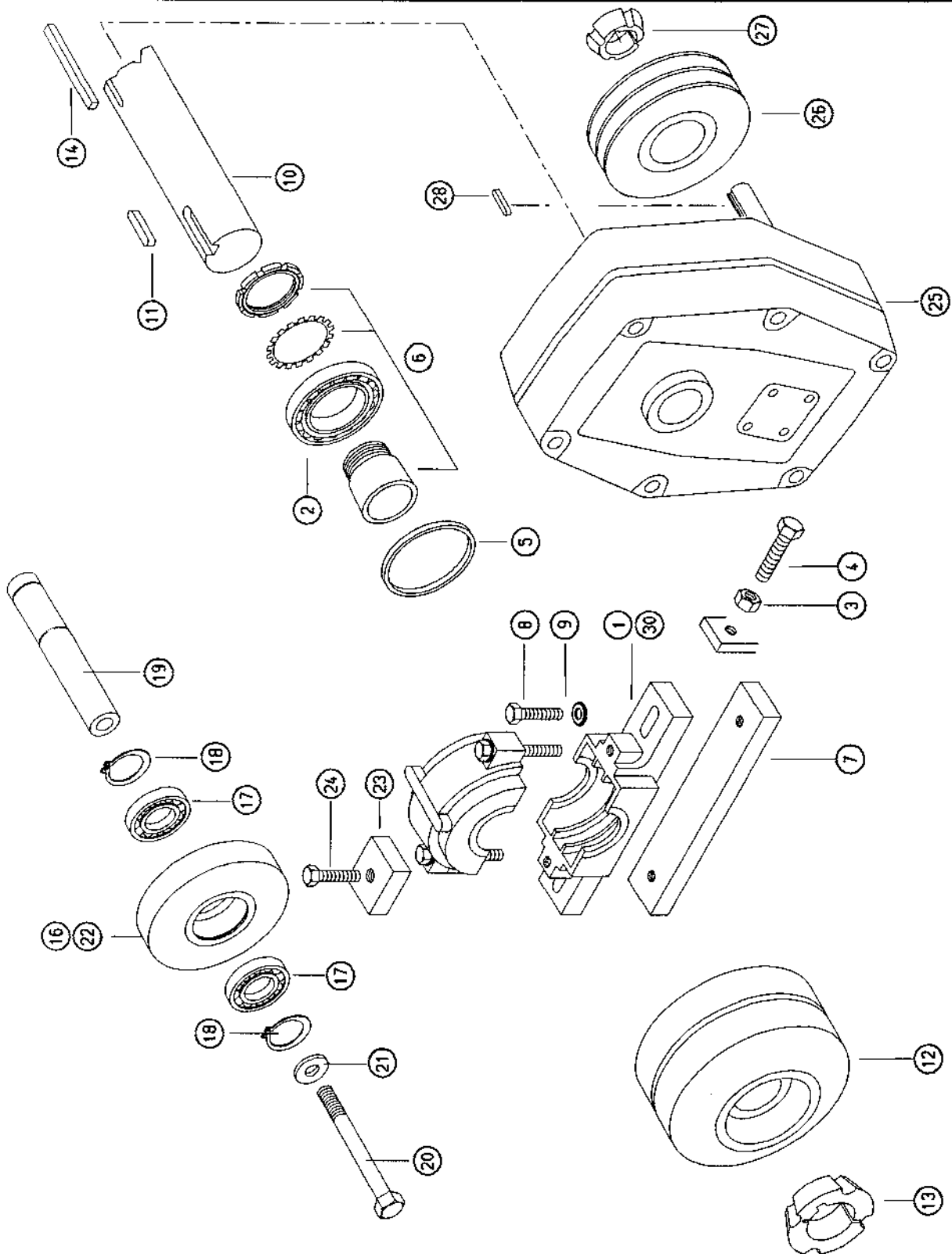
Type		Spare Parts List			Page
646,656,657, 746,756,757		Drum with Drive and Seals			9-5.5
Pos.	Part No.	Part Name	Description	Quant.	
	240 548-2	Drum with Rear Wall (Type 646) Drum Skin Screwed, with Teflon and Felt			
	236 583-2	Drum with Felt (Type 756) Drum Skin Screwed			
	236 680-2	Drum with Felt (Type 756) Drum Skin Screwed, with Teflon			
	270 384-5	Drum with Felt (Type 656) Drum with Rear Wall closed Drum Skin Screwed, with Teflon			
20	030 987	Nipple, Pipe (Type 756,757) for Gearbox 103 570-3	3/8"x100	2	
21	030 807	Bushing (Type 756,757) for Gearbox 103 570-3	3/8"	2	
22	270 578-4	Plate, Motor (Type 756) for Gearbox 103 570-3		2	
	270 583-4	Plate, Motor (Type 757) for Gearbox 103 570-3		2	
23	020 038	Nut, Hex selflocking (DIN 934) for Gearbox 103 570-3 (Type 756,757)	M 10	2	
24	103 582	Key (DIN 6885) for Gearbox 103 570-3 (Type 756,757)	A8x5x50	2	
25	103 592	Key (DIN 6885) for Gearbox 103 570-3 (Type 756,757)	A6x6x60	2	
<p>(*): Gearbox 103 570-3 wit Taper Grip for:</p> <p>Type 656 from serial no. 6560239  Type 756 from serial no. 7560543  Type 657 from serial no. 6570204  Type 757 from serial no. 7570344</p>					

646, 656, 657  
TYPE  
746, 756, 757

DRUM SUSPENSION

Page

9-6.0



Type 646,656,657, 746,756,757		Spare Parts List Drum Suspension			Page 9-6.1
Pos.	Part No.	Part Name	Description	Quant.	
1	100 018	Housing, Pillow Block (Type 746)	SN 510	2	
	100 004	Housing, Pillow Block (Type 756,757)	SNS 511	4	
2	100 019	Bearing, Self Aligning (Type 746)	22210 CCK	2	
	100 005	Bearing, Self Aligning (Type 756,757)	22211 CCK	4	
3	020 038	Nut, Hex (Type 756,757)	DIN 934 M10	4	
4	020 009	Bolt, Allen (Type 746)	DIN 912 M10x30	2	
	020 439	Bolt, Hex (Type 756,757)	DIN 933 M10x90	4	
5	100 021	Spacer (Type 746)		1	
	100 007	Spacer (Type 756,757)		2	
6	100 020	Sleeve (Type 746)	H 310	2	
	100 006	Sleeve (Type 756,757)	H 311	4	
7	230 513-4	Bracket (Type 746)		2	
	222 317-4	Bracket (Type 756,757)	16x15x250	4	
8	020 023	Bolt, Hex (Type 746)	DIN 931 M12x55	4	



Type		Spare Parts List			Page
646,656,657, 746,756,757		Drum Suspension			9-6.2
Pos.	Part No.	Part Name	Description	Quant.	
	020 294	Bolt, Hex (Type 756,757)	DIN 931 M16x110	2	
9	020 134	Washer, Tension (Type 746)	DIN 6796 12	4	
	020 463	Washer, Tension (Type 756,757)	DIN 6796 16	8	
10	230 510-3	Shaft, Drive	(Type 746) 45x1452	1	
	221 841-3	Shaft, Drive	(Type 756) 50x1614	2	
	230 605-3	Shaft, Drive	(Type 757) 50x2114	2	
11	103 017	Key	DIN 6885 14x9x60	4	
12	220 423-3	Wheel, Friction (Type 746)	246mm 250x140x75	4	
	221 842-3	Wheel, Friction (Type 756,757)	274mm 280x190x120	8	
13	103 106	Taperlock	(Type 746) 2517/45	2	
	103 018	Taperlock	(Type 756,757) 3020/50	4	
14	103 017	Key (Type 746)	DIN 6885 14x9x60	2	
	103 027	Key (Type 756,757)	DIN 6885 14x9x170	2	
15					

Type		Spare Parts List			Page
646,656,657, 746,756,757		Drum Suspension			9-6.3
Pos.	Part No.	Part Name	Description	Quant.	
16	220 428-3	Wheel, Friction with Hub free-wheeling 247 mm (Type 746)	250-140-75	2	
17	100 016	Bearing, Ball	6206Z	4	
18	025 003	Ring, Snap DIN 471	30x1,5	4	
19	230 452-4	Axle (Type 746) valid until 7460035 and 7460037-40	D90-H9x181	2	
	236 825-4	Axle valid from 7460041		2	
20	020 540	Bolt, Hex DIN 933 for Friction Wheel Pos.22 (230 451-3) valid until 7460035 and 7460037-40	M16x200	2	
	239 212-4	Bolt, Hex DIN 933 for Friction Wheel Pos.22 (236 826-3)	M16x240	2	
21	020 463	Washer, Tension DIN 6796	16	2	
22	230 451-3	Wheel, Friction fixed 247 mm (Type 746) valid until 746 0035 and 746 0037-40	250-140-75	2	
	236 826-3	Wheel, Friction removable (Type 746) valid for 746 0036 and from 746 0041		2	
23	222 339-4	Bracket, Locking (Type 756,757)	40x15x40	4	
24	020 464	Bolt, Hex DIN 933 (Type 756,757)	M10x130	4	
25	103 217	Gearbox, Replacem. 103 391 (Type 746)	C13-45	1	
	103 391	Gearbox (Type 746)		1	
	103 025	Gearbox, Replacem. 103 400 (Type 756,757)	D05/50D	2	
	103 400	Gearbox, Replac. 103 470-3 (Type 756,757)		2	
	103 470-3	Gearbox, Replac. 103 570-3 (Type 756,757)		2	
	103 570-3	Gearbox with Taper Grip D=50 (Type 756,757)	D05/50D	1	

Type		Ersatzteilliste			Page
646,656,657, 746,756,757		Drum Suspension			9-6.4
Pos.	Part No.	Part Name	Description	Quant.	
26	103 220	Pulley (Type 746)	SPZ125, 50/60Hz	1	
	103 021	Pulley (Type 756,757) for Fenner Gearbox 103 025	SPZ150, 50/60Hz	2	
	103 285	Pulley (Type 756,757) for Benzler Gearbox 103 400	SPZ140, 50/60Hz	2	
	103 574	Pulley 3-groove for Gearbox 103 570-3	SPZ 125	1	
27	103 083	Taperlock (Type 746)	1610/22	1	
	103 022	Taperlock (Type 756,757) for Fenner Gearbox 103 025	2012/25	2	
	103 399	Taperlock (Type 756,757) for Benzler Gearbox 103 400	1610/25	2	
	103 575	Taperlock-Bushing for Gearbox 103 570-3	2012/25	1	
28	103 592	Key DIN 6885	A6x6x60	1	
29					
30	914 048-5	Block, Pillow compl. (Typ 746)		4	
	914 049-5	Block, Pillow compl. (Typ 756,757)		4	
	238 683-5	Kit, Modification (Typ 746) from Gearbox 103 217 to Gearbox 103 391	50/60Hz	1	
	270 701-3	Kit, Modification (Typ 656,756) 103 025 / 103 400 – 103 470-3 to Gearbox 103 570-3	50Hz	1	
	270 582-3	Kit, Modification (Typ 656,756) 103 025 / 103 400 – 103 470-3 to Gearbox 103 570-3	60Hz	1	
	270 702-3	Kit, Modification from Gearbox (Typ 657,757) 103 025 / 103 400 – 103 470-3 to Gearbox 103 570-3	50Hz	1	
	270 584-3	Kit, Modification from Gearbox (Typ 657,757) 103 025 / 103 400 – 103 470-3 to Gearbox 103 570-3	60Hz	1	

Type		Spare Parts List		Page
646,656,657, 746,756,757		Drum Suspension		9-6.5
Pos.	Part No.	Part Name	Description	Quant.
	240 351-3	Modification Kit from Gearbox (Type 756,757) 103 400 to Gearbox 103 470-3	60 Hz	2
	240 369-3	Modification Kit from Gearbox (Type 756,757) 103 025 to Gearbox 103 470-3	50 Hz	2
	240 371-3	Modification Kit from Gearbox (Type 756,757) 103 025 to Gearbox 103 470-3	60 Hz	2
		Modification Kit from Gearbox (Type 756) 103 025 / 103 400 – 103 470-3 to Gearbox 103 570-3	50 Hz	1
	270 582-3	Modification Kit from Gearbox (Type 756) 103 025 / 103 400 – 103 470-3 to Gearbox 103 570-3	60 Hz	1
		Modification Kit from Gearbox (Type 757) 103 025 / 103 400 – 103 470-3 to Gearbox 103 570-3	50 Hz	1
	270 584-3	Modification Kit from Gearbox (Type 757) 103 025 / 103 400 – 103 470-3 to Gearbox 103 570-3	60 Hz	1

646.656.657  
TYPE  
746.756.757

DRIVE ASSEMBLY, LINT COLLECTOR

Page

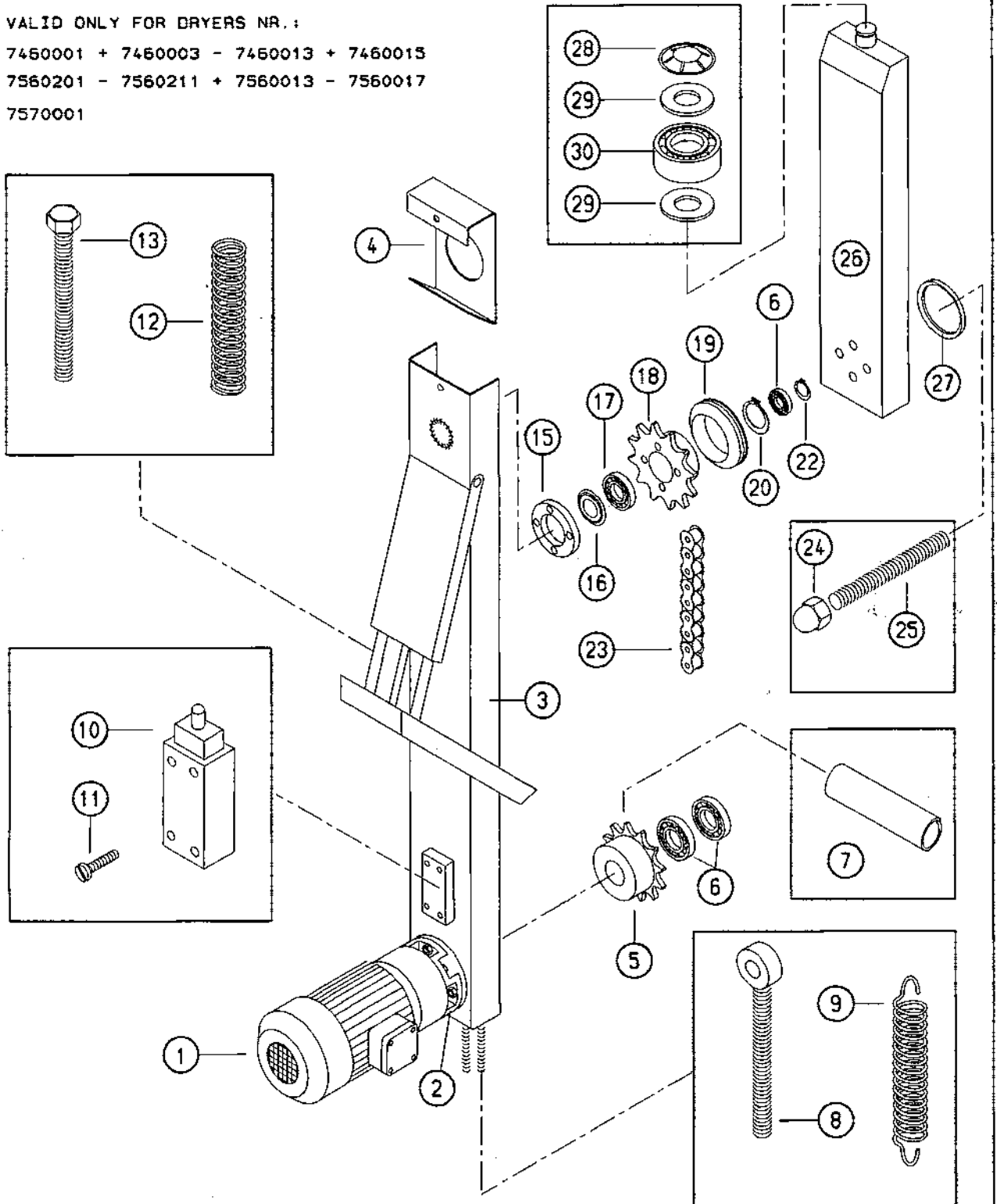
9-7.0

VALID ONLY FOR DRYERS NR. :

7450001 + 7450003 - 7450013 + 7450015

7560201 - 7560211 + 7560013 - 7560017

7570001



Type		Spare Parts List		Page
646,656,657, 746,756,757		Drive Assembly, Lint Collector		9-7.1
Pos.	Part No.	Part Name	Description	Quant.
1		Motor, Gear Cyclo Indicate Voltage, Frequency and kW		1
2	230 905-3	Flange for Pos.1		1
3	230 907-3	Bracket, Carrier (Type 746)		1
	230 420-3	Bracket, Carrier (Type 756, 757)		1
4	230 213-3	Cover		1
5	230 888-4	Sprocket, Chain	3/8x7/32 Z=22	1
6	100 014	Bearing, Ball	6001 2RS	3
7	020 757	Pin, Roll	4x26	1
8	230 917-4	Bolt, Eye		4
9	027 038	Spring, Tension	Z-162	4
10	135 419	Switch, Limit, replaced by 136 419		1
11	020 100	Bolt, Allen DIN 84	M5x40	4
12	027 029	Spring, Pressure	D-232-T	2
13	020 084	Bolt, Hex DIN 933	M8x80	1
14				
15	230 220-4	Ring, Tension	D60x10	1
16	028 135	Ring, Nilos	6004 JV	1
17	100 015	Bearing, Ball	6004-2Z	1

Type		Spare Parts List			Page
646,656,657, 746,756,757		Drive Assembly, Lint Collector			9-7.2
Pos.	Part No.	Part Name	Description	Quant.	
18	230 219-4	Sprocket, Chain (Type 746)	3/8x7/32 Z=25	1	
	230 781-4	Sprocket, Chain (Type 756,757)	3/8x7/32	1	
19	028 001	VS-Ring	D=60	1	
20	025 024	L-Ring	AL 20x1.2	1	
21					
22	025 045	Ring, Snap DIN 471	12x1.0	1	
23	103 262	Chain, Roller (Type 746) DIN 8187	182 Links	1	
	103 270	Chain, Roller (Type 756,757) DIN 8187	217 Links	1	
	103 065	Link, Chain	3/8x7/32	1	
24	020 208	Nut, Cap DIN 1587	M6	4	
25	020 756	Screw, Set DIN 938	M6x40	4	
26	230 926-2	Arm, Suction (Type 746)		1	
	222 997-2	Arm, Suction (Type 756)		1	
	230 940-2	Arm, Suction (Type 757)		1	
27	230 232-4	Ring		1	
28	025 023	Ring, Retaining	G 15x1.5	1	
29	230 250-4	Washer	1.5	2	
30	100 044	Bearing, Ball	SKF 361202	1	

TYPE 646, 656, 657  
746, 756, 757

LINT SCREEN

Page

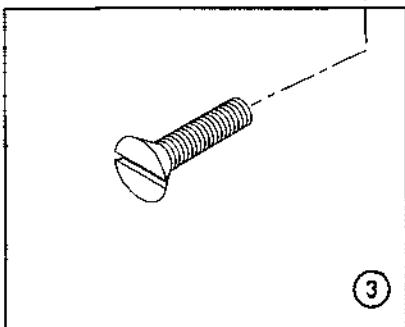
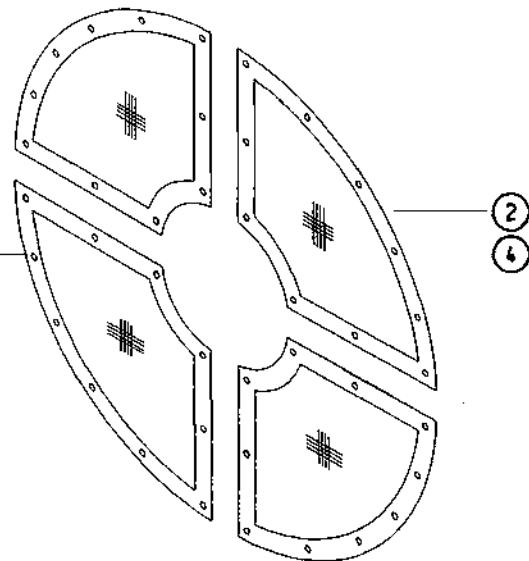
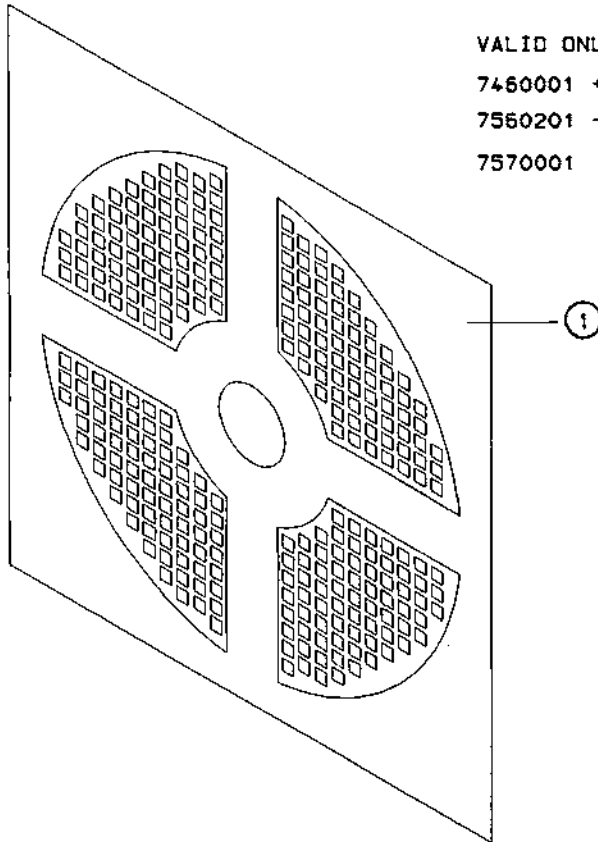
9-8.0

VALID ONLY FOR DRYERS NR.:

7460001 + 7460003 - 7460013 + 7460015

7560201 - 7560211 + 7560013 - 7560017

7570001





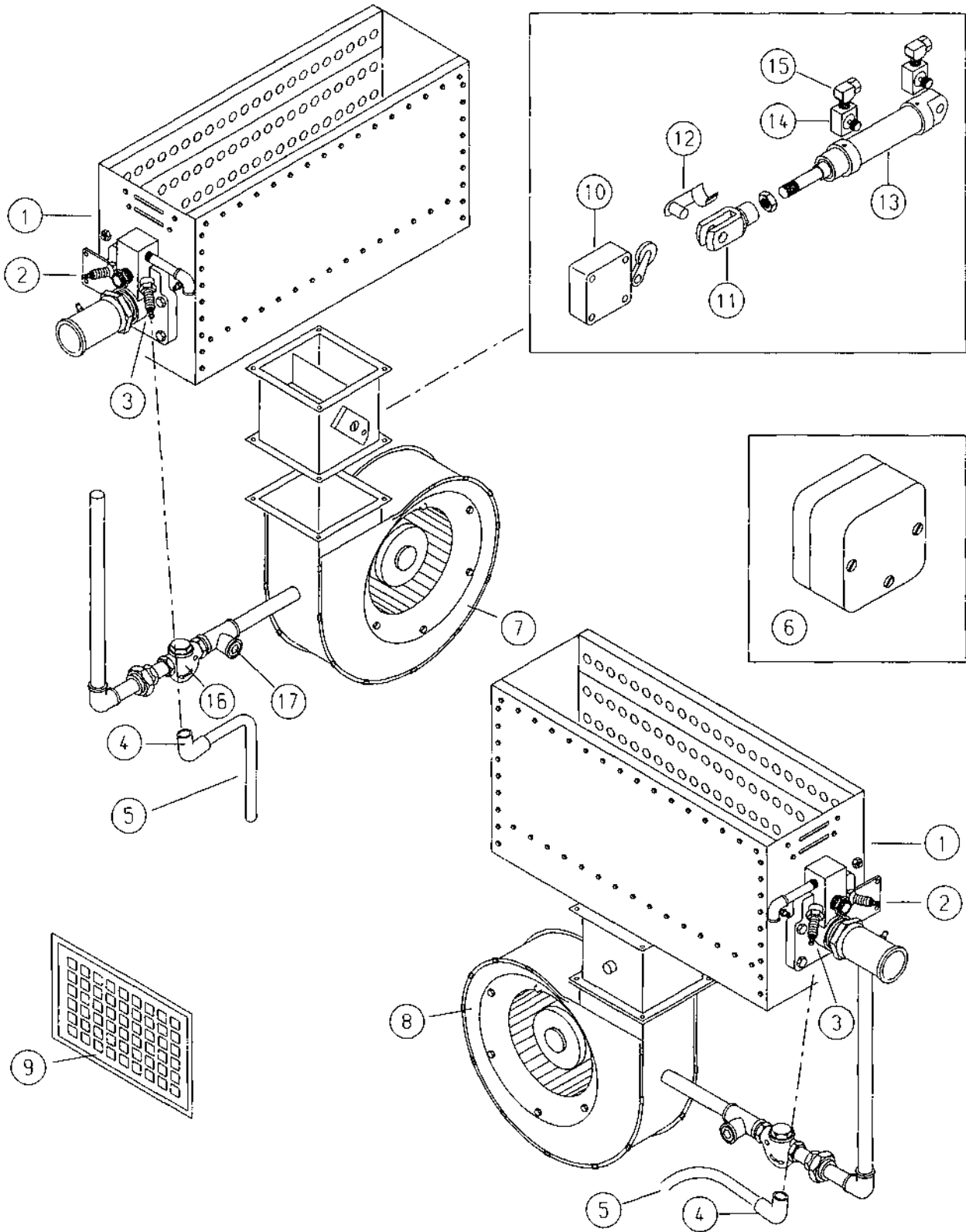
Type		Spare Parts List			Page
646,656,657, 746,756,757		Lint Screen			9-8.1
Pos.	Part No.	Part Name	Description	Quant.	
1	230 293-2	Screen, Lint bottom (Type 746)	M4x8	1	
	222 794-2	Screen, Lint bottom (Type 756)		1	
	230 382-2	Screen, Lint bottom (Type 757)		1	
2	230 291-3	Screen, Lint coarse (Type 746)		4	
	222 565-3	Screen, Lint coarse (Type 756)		4	
	230 385-3	Screen, Lint coarse (Type 757)		4	
3	020 478	Screw CS DIN 963		60	
4	230 964-3	Segment, Lint Screen with Polyester (Type 746)		4	
	222 993-3	Segment, Lint Screen with Polyester (Type 756)		4	
	230 965-3	Segment, Lint Screen with Polyester (Type 757)	4		

646, 656, 657  
TYPE  
746, 756, 757

BURNER, BURNER BLOWER  
AND CONTROL FLAP  
until 31.12.2006

Page

9-9.0



Type		Spare Parts List			Page
646,656,657, 746,756,757		Burner, Burner Blower and Control Flap until 31.12.2006			9-9.1
Pos.	Part No.	Part Name	Description	Quant.	
1	119 001	Burner, Repl. 236 541-4 (Type 746,756)	Flameco RAH160	1	
	236 541-4	Burner (Type 746)		1	
	119 001	Burner, Repl. 237 672-4 (Type 757)	Flameco RAH 160	2	
	237 672-4	Burner (Type 756,757)		2	
2	119 019	Rod, Flame (Type 746,756)		1	
	119 019	Rod, Flame (Type 757)		2	
3	119 013	Plug, Spark (Type 746,756)		1	
	119 013	Plug, Spark (Type 757)		2	
4	119 016	Cap, Spark Plug (Type 746,756)		1	
	119 016	Cap, Spark Plug (Type 757)		2	
5	007 221	Cable, Spark Plug			
6	135 986	Switch, Pressure (Type 746,756)	50Hz DWL03A	1	
	135 999	Switch, Pressure (Type 746,756)	60Hz DL 3 AT	1	
	135 986	Switch, Pressure (Type 757)	50Hz DWL03A	2	
	135 999	Switch, Pressure (Type 757)	60Hz	2	

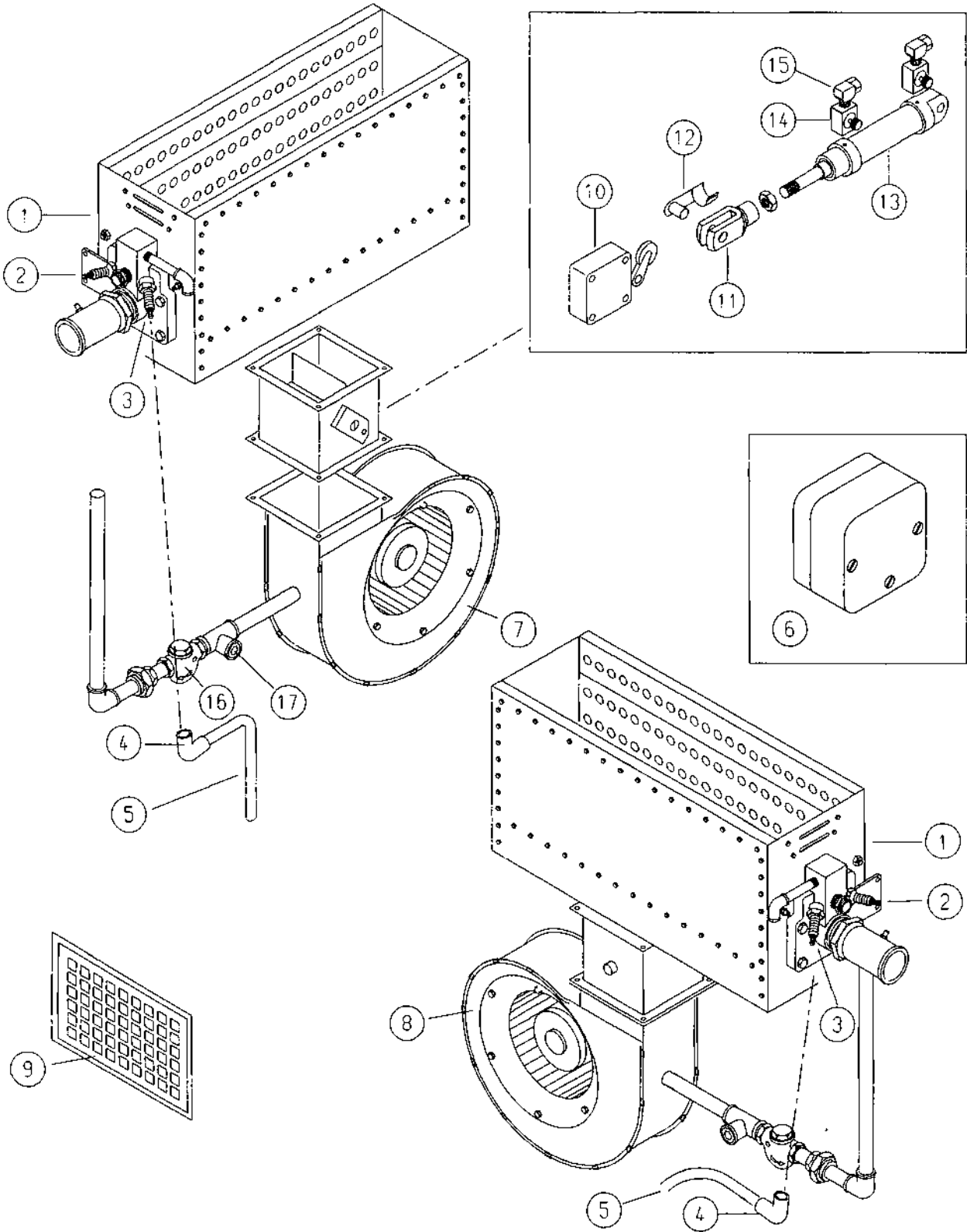
Type		Spare Parts List			Page
646,656,657, 746,756,757		Burner, Burner Blower and Control Flap until 31.12.2006			9-9.2
Pos.	Part No.	Part Name	Description	Quant.	
7	107 493	Blower, Radial, Repl. 231 090-3 (Type 746,756,757)	right	1	
	231 090-3	Blower, Radial (Type 746,756)		1	
	107 493	Blower, Radial (Type 757)		1	
8	107 494	Blower, Radial (Type 757)	left	1	
9	226 951-2	Screen, Lint (Type 746,756)		1	
	226 951-2	Screen, Lint (Type 757)		2	
10	136 429	Switch, Limit with Roller Lever	ATO-11-S-IA/AR	1	
11	021 077	Clevis DIN 71752	20x20x52	1	
12	020 130	Clamp	D10x20	1	
13	112 304	Cylinder	Nr. 1260	1	
14	112 164	Valve, Throttle	DV 06 1/8"	2	
15	111 096	Fitting, Elbow ESVS	WE 8 LLR 1/8	2	
	112 363	Repair Kit for Cylinder Pos. 13			
16	119 109	Valve, Check	3/4"		
17	119 083	T-Regulator	3/4"		

TYPE 646.656.657  
746.756.757

BURNER, BURNER BLOWER  
AND CONTROL FLAP  
from 01.01.2007

Page

9-9.5



Type		Spare Parts List			Page
646,656,657, 746,756,757		Burner, Burner Blower and Control Flap from 01.01.2007			9-9.6
Pos.	Part No.	Part Name	Description	Quant.	
1	270 903-4	Burner	(Type 646,756)	1	
	270 900-1	Burner	(Type 656, 756)	1	
	270 893-4	Burner	(Type 657, 757)	2	
2	119 019	Rod, Flame	(Type 746,756)	2	
	119 019	Rod, Flame	(Type 757)	1	
3	119 013	Plug, Spark	(Type 746,756)	2	
	119 013	Plug, Spark	(Type 757)	1	
4	119 016	Cap, Spark Plug	(Type 746,756)	2	
	119 016	Cap, Spark Plug	(Type 757)		
5	007 221	Cable, Spark Plug			
6	135 986	Switch, Pressure	(Type 746,756) 50Hz DWL03A	1	
	135 999	Switch, Pressure	(Type 746,756) 60Hz DL 3 AT	1	
	135 986	Switch, Pressure	(Type 757) 50Hz DWL03A	2	
	135 999	Switch, Pressure	(Type 757) 60Hz	2	

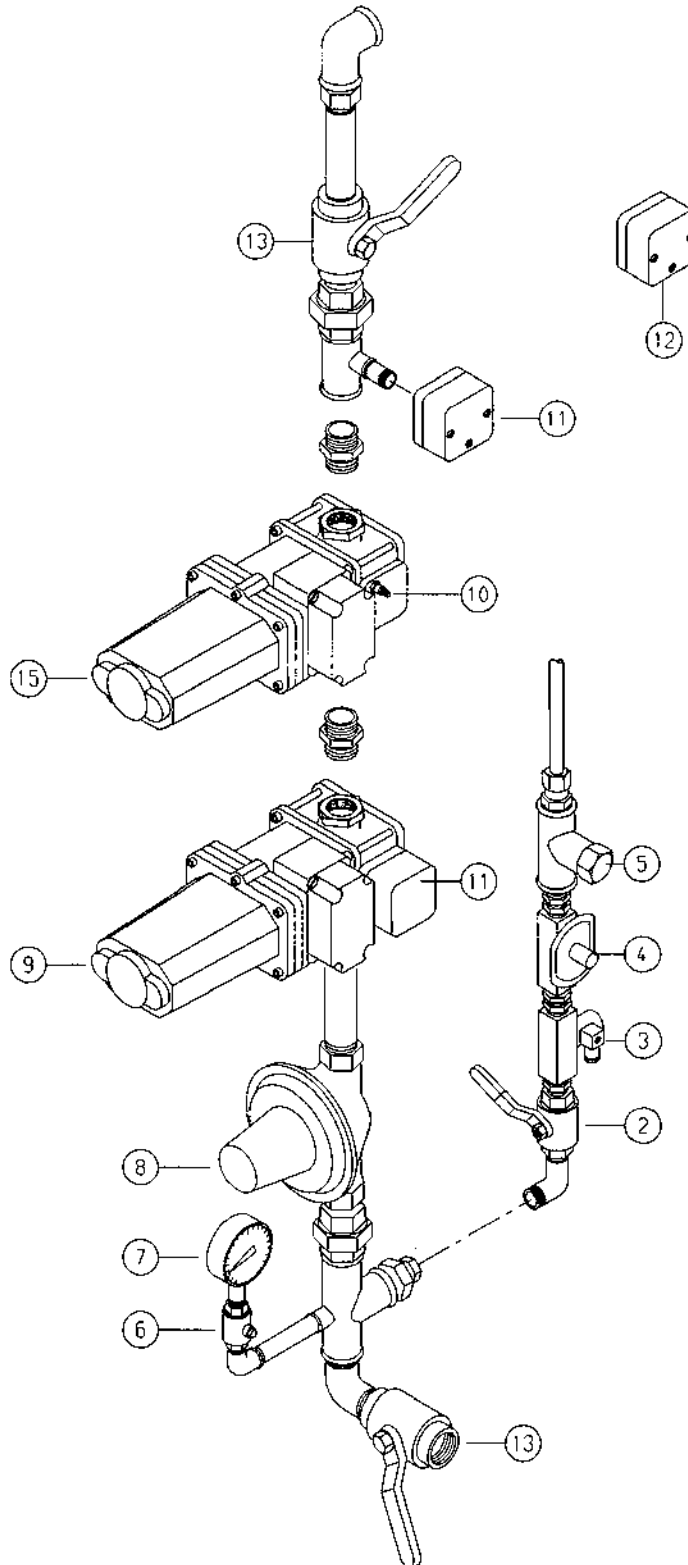
Type		Spare Parts List			Page
646,656,657, 746,756,757		Burner, Burner Blower and Control Flap from 01.01.2007			9-9.7
Pos.	Part No.	Part Name	Description	Quant.	
7	107 493	Blower, Radial, Repl. 231 090-3 (Type 746,756,757)	right	1	
	231 090-3	Blower, Radial (Type 746,756)		1	
	107 493	Blower, Radial (Type 757)		1	
8	107 494	Blower, Radial (Type 757)	left	1	
9	226 951-2	Screen, Lint (Type 746,756)		1	
	226 951-2	Screen, Lint (Type 757)		2	
10	136 429	Switch, Limit with Roller Lever	ATO-11-S-IAVAR	1	
11	021 077	Clevis DIN 71752	20x20x52	1	
12	020 130	Bolt, Snap	D10x20	1	
13	112 304	Cylinder	Nr. 1260	1	
14	112 164	Valve, Throttle	DV 06 1/8"	2	
15	111 096	Fitting, Elbow ESVS	WE 8 LLR 1/8	2	
	112 363	Repair Kit for Cylinder Pos. 13			
16	119 109	Valve, Check	3/4"		
17	119 083	Tee-Regulator	3/4"		

646.656.657  
TYPE  
746.756.757

GAS SYSTEM WITH PRESSURE SWITCH  
230V 50Hz  
until 31.12.2006

Page

9-11.0





Type		Spare Parts List			Page
646,656,657, 746,756,757		Gas System with Pressure Switch 230V 50Hz until 31.12.2006			9-11.1
Pos.	Part No.	Part Name	Description	Quant.	
1	230 957-2	Gas System compl., repl. 239 070-2	(Type 746)	1	
	239 070-2	Gas System compl.	(Type 746)	1	
	223 980-5	Gas System compl. repl. 239 051-2	(Type 756)	1	
	239 051-2	Gas System compl.	(Type 756)	1	
	230 838-5	Gas System compl. repl. 239 048-1	(Type 757)	1	
	239 048-1	Gas System compl.	(Type 757)	1	
2	111 040	Valve, Ball	(Type 746, 756) 1/4" 15-040	1	
	111 040	Valve, Ball	(Type 757) 1/4" 15-040	2	
3	119 007	Valve, Pilot Gas	(Type 746, 756) VG 8 R 05/N60 230V 50Hz	1	
	119 007	Valve, Pilot Gas	(Type 757) VG 8 R 05/N60 230V 50Hz	2	
4	119 061	Regulator, Pressure	(Type 746, 756) Flameco	1	
5	119 061	Regulator, Pressure	(Type 757) Flameco	2	
	119 083	T-Regulator	(Type 746,756)	1	
	119 083	T-Regulator	(Type 757)	2	
	111 008	Manometer Valve, Push-Button	1/2" MS	1	
7	111 033	Manometer	100 mbar	1	

Type		Spare Parts List			Page
646,656,657, 746,756,757		Gas System with Pressure Switch 230V 50Hz until 31.12.2006			9-11.2
Pos.	Part No.	Part Name	Description	Quant.	
8	119 010	Regulator, Gas Pressure until 04.2000 Replacem. 119 094 from 05.2000 (Type 746,756)	1½" GBF40	1	
	119 094	Regulator, Gas Pressure (Type 746,756) Replacem. 119 106-5		1	
	119 106-5	Regulator, Gas Pressure Assy. (Type 746,756)		1	
	119 010	Regulator, Gas Pressure until 04.2000	1½" GBF40	2	
	119 094	Replacem. 119 094 from 05.2000 (Type 757)		2	
	119 106-5	Regulator, Gas Pressure (Type 757) Replacem. 119 106-5		2	
9	119 018	Regulator, Gas Pressure Assy. (Type 757)	SH-H110 NVSL NW40 230V/50Hz	1	
	119 018	Valve Hydramotor, Open - Close (Type 746,756)	SH-H110 NVSL NW40 230V/50Hz	2	
10	119 014	Valve Hydramotor, Open - Close (Type 757)	R1/8"	2	
11	135 985		50 DWG	2	
	135 985	Nipple, Measuring	50 DWG	2	
12	135 986	Switch, Pressure (Type 746,756)	DWL 03A	2	
	135 986	Switch, Pressure (Type 757)	DWL 03A	2	
13	111 042	Switch, Pressure Air (Type 746,756)	1 ½" 15-40 MS	2	
	136 026	Switch, Pressure Air (Type 757)		5	
14		Valve, Ball (Type 746,756)			
15	119 004	Valve, Ball (Type 757)	SH-H130 NVSL NW40S 230V/50Hz	1	
	119 004	Valve Hydramotor (Type 746,756) Open - Reduced - Closed	SH-H130 NVSL NW40S 230V/50Hz	2	
		Valve Hydramotor (Type 757) Open - Reduced - Closed			

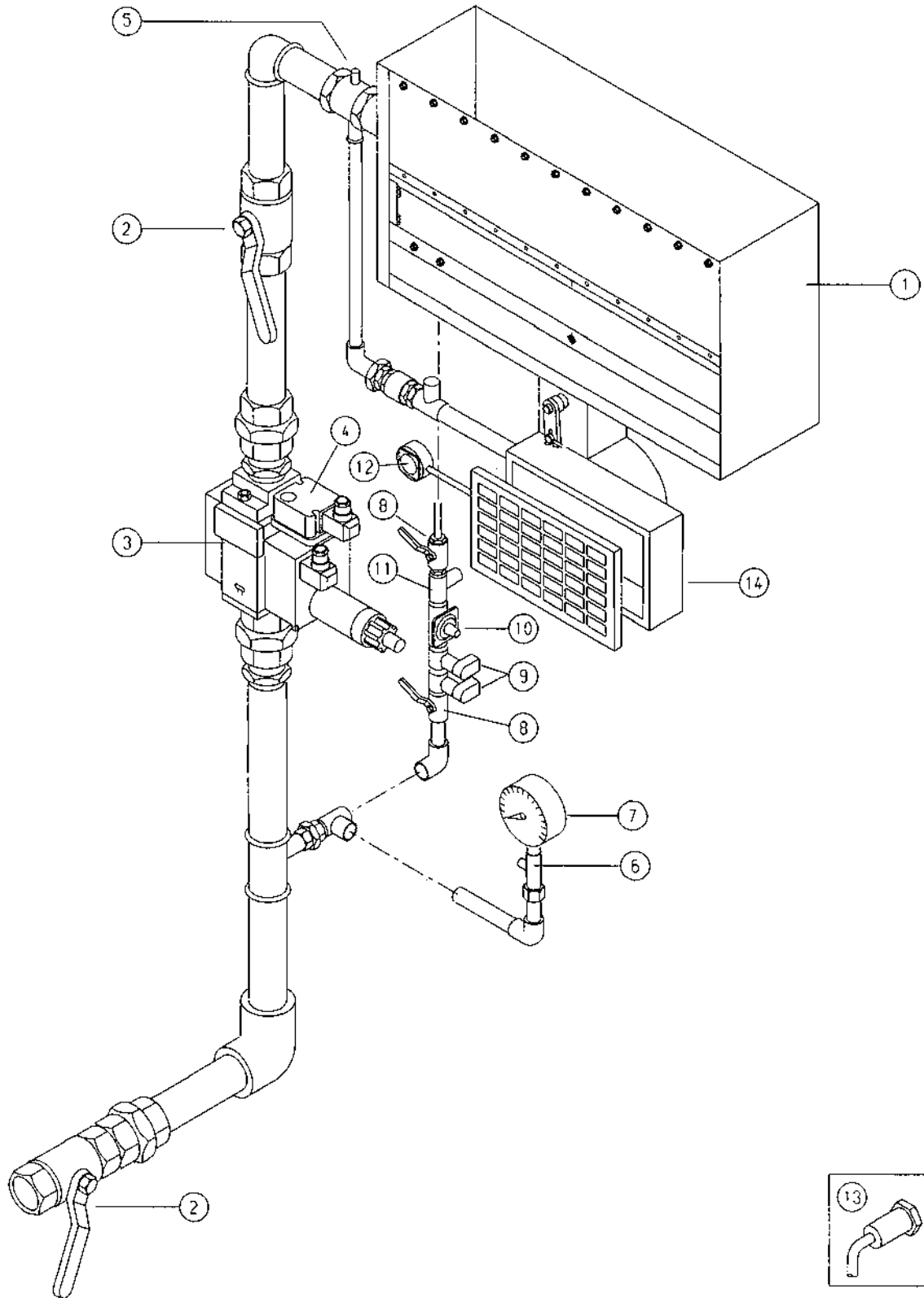
Type 646,656,657, 746,756,757		Spare Parts List Gas System and Monitors 230V 50Hz			Page 9-11.3
Pos.	Part No.	Part Name	Description	Quant.	
	136 009	Transformer, Ignition until Dec. 95 (Type 757)	TGI 5/15 220V	2	
	136 026	Transformer, Ignition from Jan. 96 (Type 757)	ZE30/7 ENR 4041661-230V	2	
15	136 415	Switch, Proximity	Inductive IIA-2010-FRKG PNP-NPN	1	
16	135 007	Thermostat	0-200°C	1	
17	135 008	Thermostat	0-300°C	2	
18	227 465-3	Feeler, Temperature	KD PT 100	1	
19	135 028	Limiter, Temperature	1 B 1560	1	
20	136 345	Feeler, Temperature, Inlet Temperature	PT 100	1	

TYPE 646.656  
746.756

GAS SYSTEM WITH MULTIBLOCK  
230V 50HZ  
From 01.01.2007  
VERSION: EUROPE

Page

9-11.5



Type		Spare Parts List		Page
646,656 746,756		Gas System with Multiblock 230V 50Hz from 01.01.2007 Version: Europe		9-11.6
Pos.	Part No.	Part Name	Description	Quant.
1	270 900-1	Burner Natural Gas compl. (Type 756)		1
	270 903-4	Burner Natural Gas compl. (Type 646, 746)		1
2	111 042	Valve, Ball	DIN DVGW 1.1/2"	2
3	119 126	Multiblock	Dungs MB-ZRDLE 412 B01 S20	1
4	119 048	Monitor, Gas Pressure	GW150A5 5-150mbar	1
5	119 014	Connector, Measuring	G 1/8"	3
6	111 008	Manometer, Push-Button Valve	DIN DVGW 1/2"	1
7	111 033	Manometer, Capsule Element	KP 100D201 0-100mbar	1
8	111 040	Valve, Ball	DIN DVGW 1/4"	2
9	119 007	Valve, Pilot Gas	1/4" VG 8 R 05/N60 230V 50Hz	2
10	119 061	Regulator, Gas Pressure	1/2" RV 48 LM 2,5-9mbar	1
11	119 111	Bushing, Regulator		1
12	135 986	Switch, Pressure	DL3A 0,3-3mbar DIN DVGW	2
13	136 415	Switch, Proximity (Type 756, 757)	For drum	1
14	270 577-5	Switch, Pressure (Type 746,756, 757)	For blower housing	1

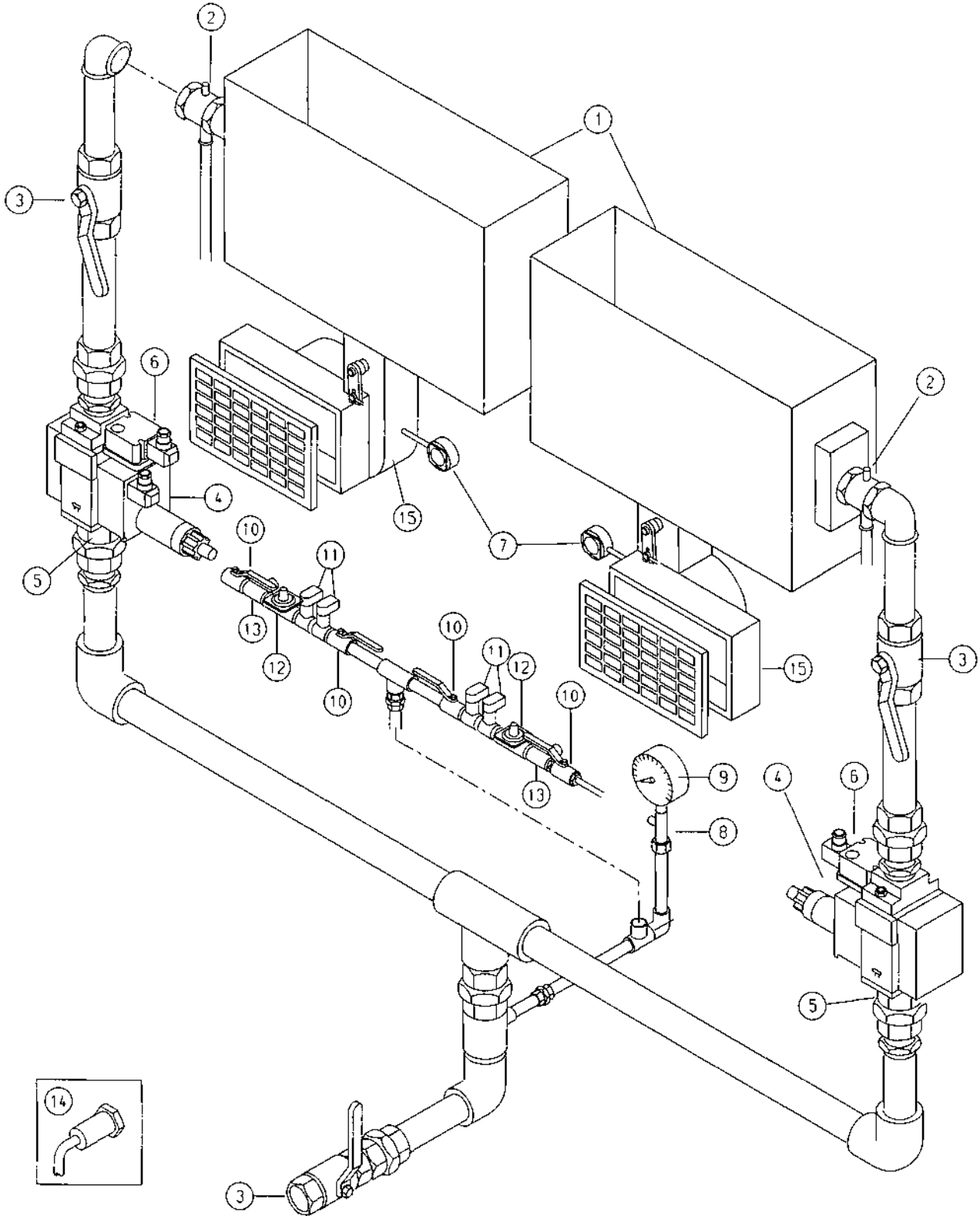
TYPE 657. 757

GAS SYSTEM WITH MULTIBLOCK

230V 50Hz  
from 01.01.2007  
VERSION: EUROPE

Page

9-11.10



Type 657, 757		Spare Parts List Gas System with Multiblock 230V 50Hz from 01.01.2007 Version: Europe		Page 9-11.11
Pos.	Part No.	Part Name	Description	Quant.
1	270 893-4	Burner Natural Gas compl. (Type 657, 757)		1
2	119 014	Connector, Measuring	G 1/8"	6
3	111 042	Valve, Ball	DIN DVGW	3
4	119 055	Multiblock	Dungs MB-ZRDLE 410 B01 S20	2
5	119 128	Flange, Connecting	RP 1.1/4"	2
6	119 048	Monitor, Gas Pressure	GW150A5	2
7	135 986	Switch, Pressure	DL2A o,3-3mbar DIN DVGW	3
8	111 008	Manometer, Push-Button Valve	1/2"	1
9	111 033	Manometer, Capsule Element	KP 100D201 0-100mbar	1
10	111 040	Valve, Ball	DIN DVGW 1/4"	4
11	135 028	Valve, Pilot Gas	1/4" VG 8 R 05/N60 230V 50Hz	4
12	119 061	Regulator, Gas Pressure	1/2" RV 48 LM 2,5-9mbar	2
13	119 111	Bushing, Regulator		2
14	136 415	Switch, Proximity (Type 756, 757)	For drum	1
15	270 577-5	Switch, Pressure (Type 657, 757)	For blower housing 50Hz	1

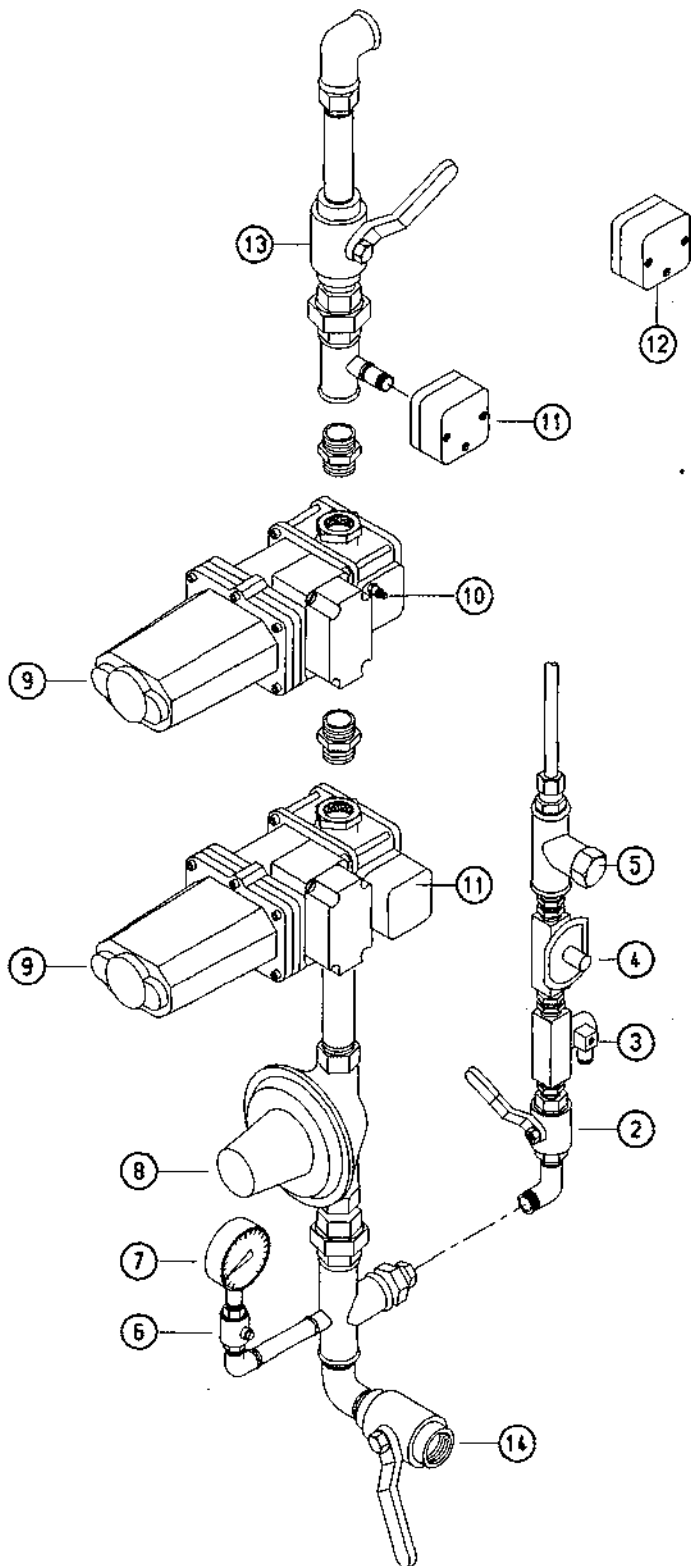
646.656.657  
TYPE  
746.756.757

GAS SYSTEM WITH PRESSURE SWITCH

115V 60Hz

Page

9-12.0





Type 646,656,657, 746,756,757		Spare Parts List Gas System with Pressure Switch 115V 60Hz			Page 9-12.1
Pos.	Part No.	Part Name	Description	Quant.	
1	230 300-2	Gas System compl. (Type 746) Replacem. 239 059-2		1	
	239 059-2	Gas System compl. (Type 746)		1	
	222 887-2	Gas System compl. (Type 756)		1	
	230 700-1	Gas System compl. (Type 757) Replacem 239 037-1		1	
	239 037-1	Gas System compl. (Type 757)		1	
2	111 040	Valve, Ball (Type 746, 756)	1/4" 15-040	2	
	111 040	Valve, Ball (Type 757)	1/4" 15-040	4	
3	119 008	Valve, Pilot Gas (Type 746, 756)	VG 8 R 05/N60 110V 60Hz	1	
	119 008	Valve, Pilot Gas (Type 757)	VG 8 R 05/N60 110V 60Hz	2	
4	119 061	Regulator, Gas Pressure (Type 746, 756)	Flameco	1	
	119 061	Regulator, Gas Pressure (Type 757)	Flameco	2	
5	119 083	T-Regulator (Type 746,756)		1	
	119 083	T-Regulator (Type 757)		2	
6	111 008	Manometer Valve, Push Button	1/2" MS	1	
7	111 033	Manometer	100 mbar	1	
8	119 010	Regulator, Gas Pressure until 04.2000 Replacem. 119 094 ab 05.2000 (Type 746,756)	1½ GBF40	1	
	119 094	Regulator, Gas Pressure (Type 746,756) Replacem. 119 106-5		1	
	119 106-5	Regulator, Gas Pressure Assy. (Type 746,756)		1	
	119 010	Gasdruckregler bis 04.2000 (Type 757) Replacem. 119 094 ab 05.2000	1½ GBF40	2	
	119 094	Regulator, Gas Pressure (Type 757) Replacem. 119 106-5		2	
	119 106-5	Regulator, Gas Pressure Assy. (Type 757)		2	

Type 646,656,657, 746,756,757		Spare Parts List Gas System with Pressure Switch  115V 60Hz			Page  9-12.2
Pos.	Part No.	Part Name	Description	Quant.	
9	119 003	Valve Hydramotor (Type 746,756)	SH-H 132NVSL NW 40S 110V 60Hz	1	
	119 003	Valve Hydramotor (Type 757)	SH-H 132NVSL NW 40S 110V 60Hz	2	
10	119 014	Nipple, Measuring	R1/8"	3	
11	135 985	Switch, Pressure Replacem. 135 998 (Type 746,756)	50 DWG	2	
	135 998	Switch, Pressure (Type 746,756)		2	
	135 985	Switch, Pressure Replacem. 135 998 (Type 757)	50 DWG	3	
	135 998	Switch, Pressure (Type 757)		3	
12	135 986	Switch, Pressure Air Replacem. 135 999 (Type 746,756)	DWL 03 A	1	
	135 999	Switch, Pressure Air		1	
	135 986	Switch, Pressure Air Replacem. 135 999 (Type 757)	DWL 03 A	2	
	135 999	Switch, Pressure Air		2	
13	111 042	Valve, Ball (Type 746,756)	1½"15-040 MS	1	
	111 042	Valve, Ball (Type 757)	1½"15-040 MS	2	
14	111 043	Valve, Ball	1 ½" NPT	1	

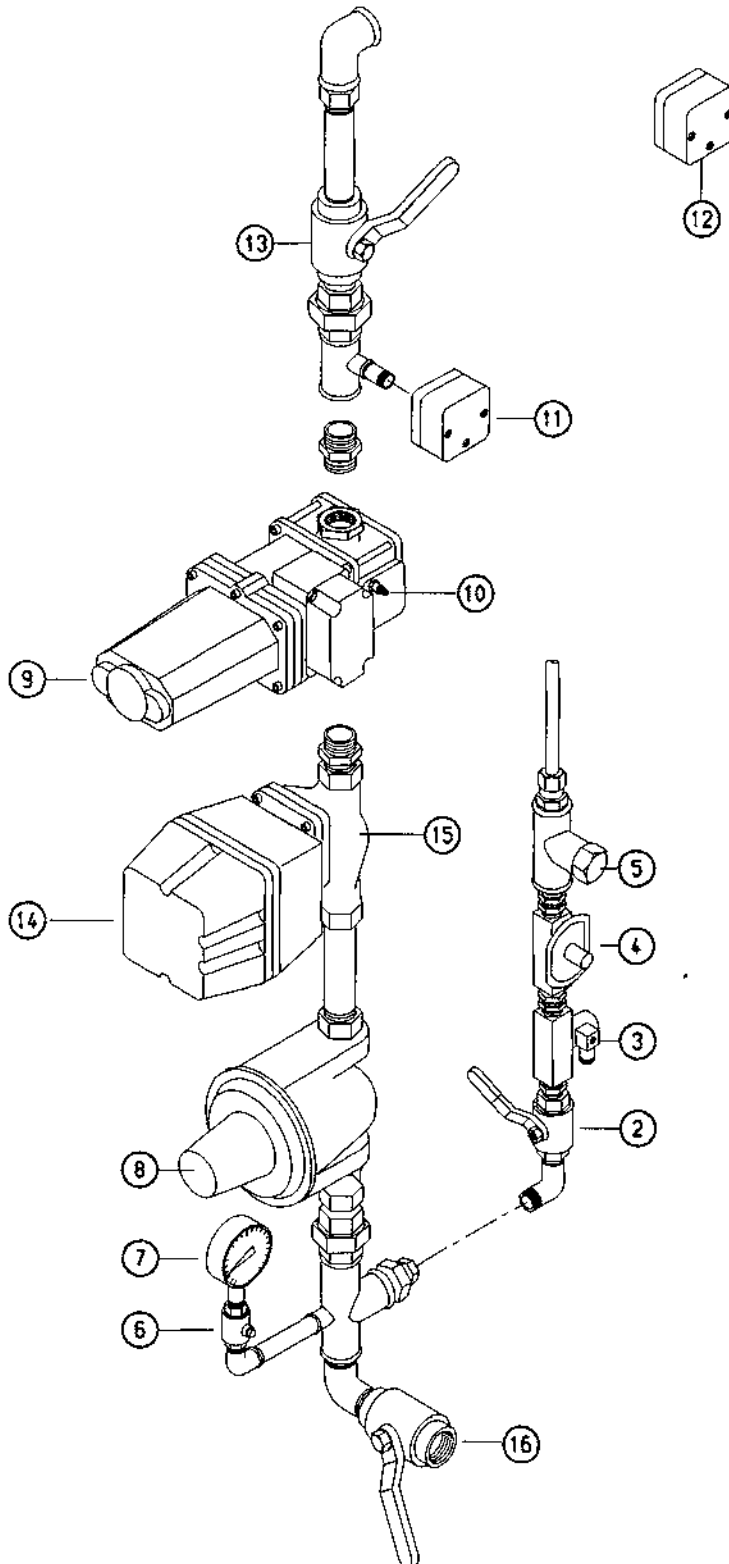
Type 646,656,657, 746,756,757		Spare Parts List Gas System and Monitors 115V 60Hz		Page 9-12.3
Pos.	Part No.	Part Name	Description	Quant.
14	136 010	Transformer, Ignition, Repl. 136 014 (Type 746,756)	TGI 5/15 110V	1
	136 014	Transformer, Ignition		1
	136 010	Transformer, Ignition, Repl. 136 014 (Type 757)	TGI 5/15 110V	2
	136 014	Transformer, Ignition		2
15	136 415	Switch, Proximity Inductive	IIA-2010-FRKG PNP-NPN	1
16	135 007	Thermostat	0-200°C	1
17	135 008	Thermostat (Type 746,756)	0-300°C	3
	135 008	Thermostat (Type 757)	0-300°C	4
18	227 465-3	Feeler, Temperature KD	PT 100	1
19	111 043	Valve, Ball	1½ NPT	1
20	135 028	Limiter, Temperature	1 B 1560	1
21	136 345	Feeler, Temperature, Inlet Temperature	PT 100	1

646.656.657  
TYPE  
746.756.757

GAS SYSTEM WITH PRESSURE SWITCH  
115V 60Hz USA AND CANADA

Page

9-13.0



Type		Spare Parts List			Page
646,656,657, 746,756,757		Gas System with Pressure Switch 115V 60Hz USA and Canada			9-13.1
Pos.	Part No.	Part Name	Description	Quant.	
1	230 978-5	Gas System compl. (Type 746) Replacem. 239 059-2		1	
	239 059-2	Gas System compl. (Type 746)		1	
	223 040-2	Gas System compl. (Type 756) Replacem. 222 887-2		1	
	222 887-2	Gas System compl. (Type 756)		1	
	230 979-5	Gas System compl. (Type 757) Replacem. 239 037-1		1	
	239 037-1	Gas System compl. (Type 757)		1	
2	111 043	Valve, Shut-off Rockwell (Type 746, 756) Replacem. 111 040	1/2" NPT	1	
	111 040	Valve, Ball (Type 746,756)		2	
	111 043	Valve, Shut-off Rockwell (Type 757) Replacem. 111 040	1/2" NPT	2	
	111 040	Valve, Ball (Type 757)		4	
3	119 008	Valve, Pilot Light (Type 746, 756)	VG 8 R 05/N60 110V 60Hz	1	
	119 008	Valve, Pilot Light (Type 757)	VG 8 R 05/N60 110V 60Hz	2	
4	119 061	Regulator, Gas Pressure (Type 746, 756)	Flameco	1	
	119 061	Regulator, Gas Pressure (Type 757)	Flameco	2	
5	119 083	T-Regulator (Type 746,756)		1	
	119 083	T-Regulator (Type 757)		2	

Type		Spare Parts List		Page
646,656,657, 746,756,757		Gas System with Pressure Switch		9-13.2
		115V 60Hz USA and Canada		
Pos.	Part No.	Part Name	Description	Quant.
6	111 008	Manom.-Valve Push Button (Type 746,756)	1½" MS	1
	111 008	Manom.-Valve Push Button (Type 757)	1½" MS	2
7	111 033	Manometer (Type 746,756)	100 mbar	1
	111 033	Manometer (Type 757)	100 mbar	2
8	119 010	Regulator, Gas Pressure until 04.2000, Replacem. 119 094 from 05.2000 (Type 746,756)	1½" GBF40	1
	119 094	Regulator, Gas (Type 746,756) Replacem. 119 106-5		1
	119 106-5	Regulator, Gas Pressure assy. (Type 746,756)		1
	119 010	Regulator, Gas Pressure until 04.2000, Replacem. 119 094 from 05.2000 (Type 757)	1½" GBF40	2
	119 094	Regulator, Gas Pressure (Type 757)		2
	119 106-5	Regulator, Gas Pressure Assy. (Type 757)		2
9	119 003	Valve Hydramotor (Type 746,756)	SH-H 132NVSL NW 40S 110V 60Hz	1
	119 003	Valve Hydromotor (Type 757)	SH-H 132NVSL NW 40S 110V 60Hz	2
10	119 014	Nipple, Measuring	R 1/8"	3
11	135 985	Switch, Pressure (Type 746,756) Replacem. 135 998	50 DWG	2
	135 998	Switch, Pressure (Type 746,756)		2
	135 985	Switch, pressure (Type 757) Replacem. 135 998	50 DWG	3
	135 998	Switch, Pressure (Type 757)		3

Type 646,656,657, 746,756,757		Spare Parts List Gas System with Pressure Switch 115V 60Hz USA and Canada			Page 9-13.3
Pos.	Part No.	Part Name	Description	Quant.	
12	135 986	Guard, Pressure, repl. 135 999	(Type 746,756) DWL 0.3 A	2	
	135 999	Guard, Pressure	(Type 746,756)	2	
	135 986	Guard, Pressure, repl. 135 999	(Type 757) DWL 0.3 A	3	
	135 999	Guard, Pressure	(Type 757)	3	
13	111 664	Valve, Ball Rockwell, repl. 111 042	(Type 746,756) 1½" NPT	1	
	111 042	Valve, Ball	(Type 746,756)	1	
	111 664	Valve, Ball Rockwell, repl. 111 042	(Type 757) 1½" NPT	2	
	111 042	Valve, Ball	(Type 757)	2	
14	111 670	Valve Gas Fluid Pow	(Type 746,756) V4055 A1031/3 120/240V 50/60 Hz	1	
	111 670	Valve Gas Fluid Pow	(Type 757) V4055 A1031/3 120/240V 50/60 Hz	2	
15	111 668	Valve Gas NPT 1½"	(Type 746,756) V5056 A1020/3	1	
	111 668	Valve Gas NPT 1½"	(Type 757) V5056 A1020/3	2	
16	111 043	Valve, Ball	1½" NPT	1	

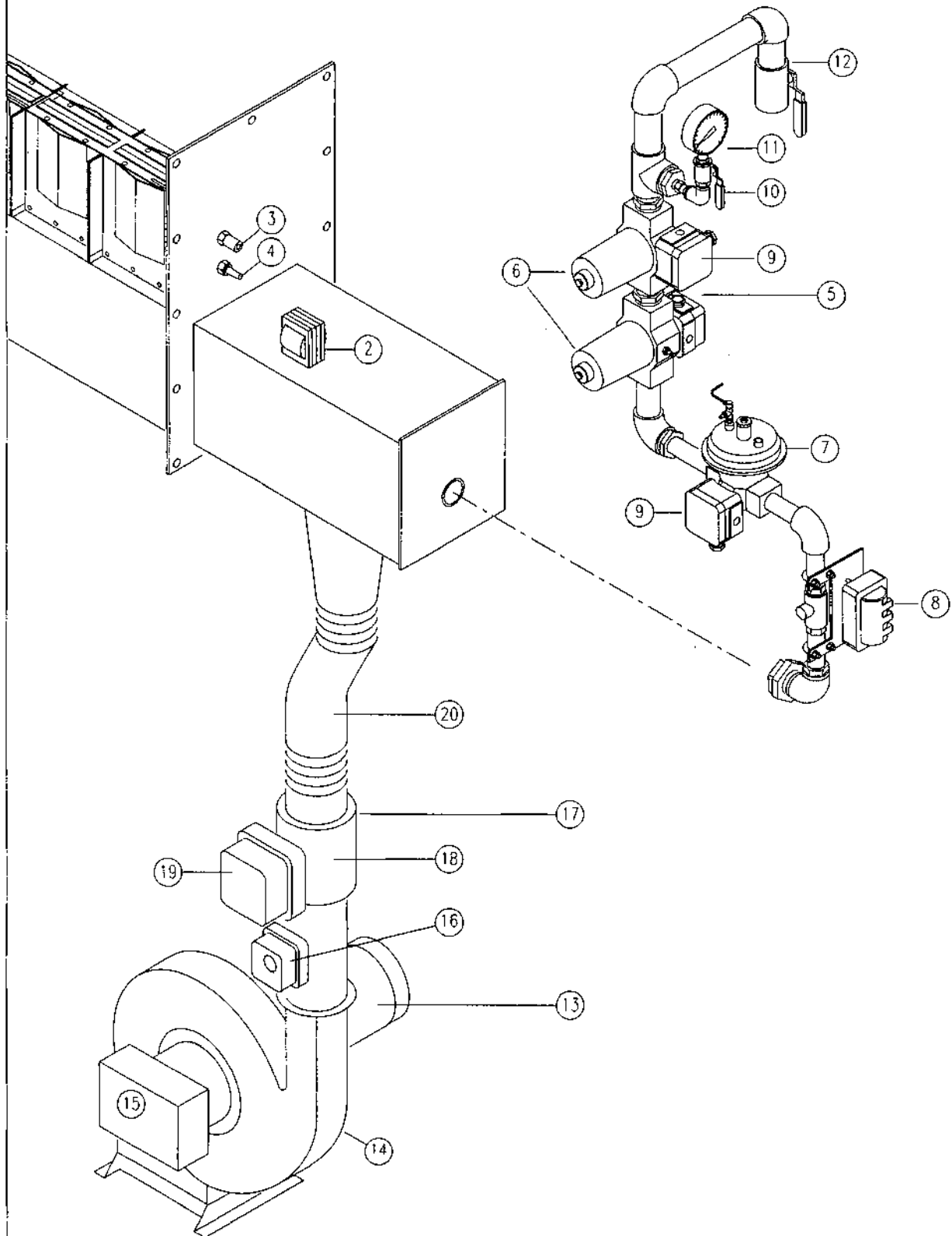
Type 646,656,657, 746,756,757		Spare Parts List Gas System and Monitors 115V 60Hz USA and Canada			Page 9-13.4
Pos.	Part No.	Part Name	Description	Quant.	
15	136 415	Switch, Proximity Inductive	IIA-2010-FRKG PNP-NPN	1	
16	135 007	Thermostat	0-200°C	1	
17	135 008	Thermostat (Type 746,756)	0-300°C	3	
	135 008	Thermostat (Type 757)	0-300°C	4	
18	227 465-3	Feeler, Temperature KD	PT 100	1	
19	111 670	Valve, Gas Fluid Pow (Type 746,756)	V4055 A1031/3 120/240V 50/60Hz	1	
	111 670	Valve, Gas Fluid Pow (Type 757)	V4055 A1031/3 120/240V 50/60Hz	2	
20	111 668	Valve, Gas NPT 1½" (Type 746,756)	V5056 A1020/3	1	
	111 668	Valve, Gas NPT 1½" (Type 757)	V5056 A1020/3	2	
21	136 345	Feeler, Temperature, Inlet Temperature	PT 100	1	
22	135 028	Limiter, Temperature	1 B 1560	1	
23	111 043	Valve, Ball	1½" NPT	1	



TYPE 646, 656, 657  
746, 756, 757

GAS HEATING LINE BURNER MINNOX  
USA-CANADA 60 Hz

Page  
9-13.5



Type 646,656,657, 746,756,757		Spare Parts List Gas Heating, Line Burner Minnox USA-CANADA 60 Hz			Page 9-13.6
Pos.	Part No.	Part Name	Description	Quant.	
1	119 153	Minnox-Burner, 440 KW (Type 656,756)	LS-4x120SP	1	
	119 152	Minnox-Bruner, 480 KW (Type 657,757)	LS-6x96SP	1	
2	136 030	Transformer, Ignition (Type 756,757)	1820, 10m 110V	1	
3	119 156	Rod, Flame (Type 756)		1	
	119 192	Rod, Flame (Type 757)		1	
4	119 157	Sparkplug (Type 756)		1	
	119 193	Sparkplug (Type 757)		1	
5	119 189	Train, Valve, Pos. 5-12 (Type 756,757)	G40, A70, 60Hz, 1.1/2"	1	
6	112 985	Valve, Solenoid (Type 756,757)	MVD, 510/6, 1" NPT	2	
7	119 166	Regulator, Gas Pressure (Type 756,757)	FRG 710, 1"NPT	1	
8	119 161	Flap, Control (Type 756,757)	S 211, Rp 1"	1	
9	138 058	Switch, Pressure (Type 756,757)	GAO, A4-4-6, 12-60WC (30-150mbar)	2	
10	113 134	Valve, Ball (Type 756,757)	1/4" NPT	1	
11	113 038	Manometer (Type 756,757)	0-60" WC	1	
12	111 043	Valve, Ball (Type 756,757)	1 1/2" NPT	1	
13	119 190	Set, Blower, Pos. 13-16 (Type 756,757)	MHR502, 460-480V, 60Hz, 2,2kW	1	
14	108 027	Blower (Type 756,757)	MHR502, RD 90 460-480V, 60Hz 2,2kW	1	
15	123 125-4	Mat, Filter Viledon (Type 756,757)	P15/35 0S	1	
16	138 059	Switch, Pressure (Type 756,757)	AA-A2-4-5, 2-20"WC	1	

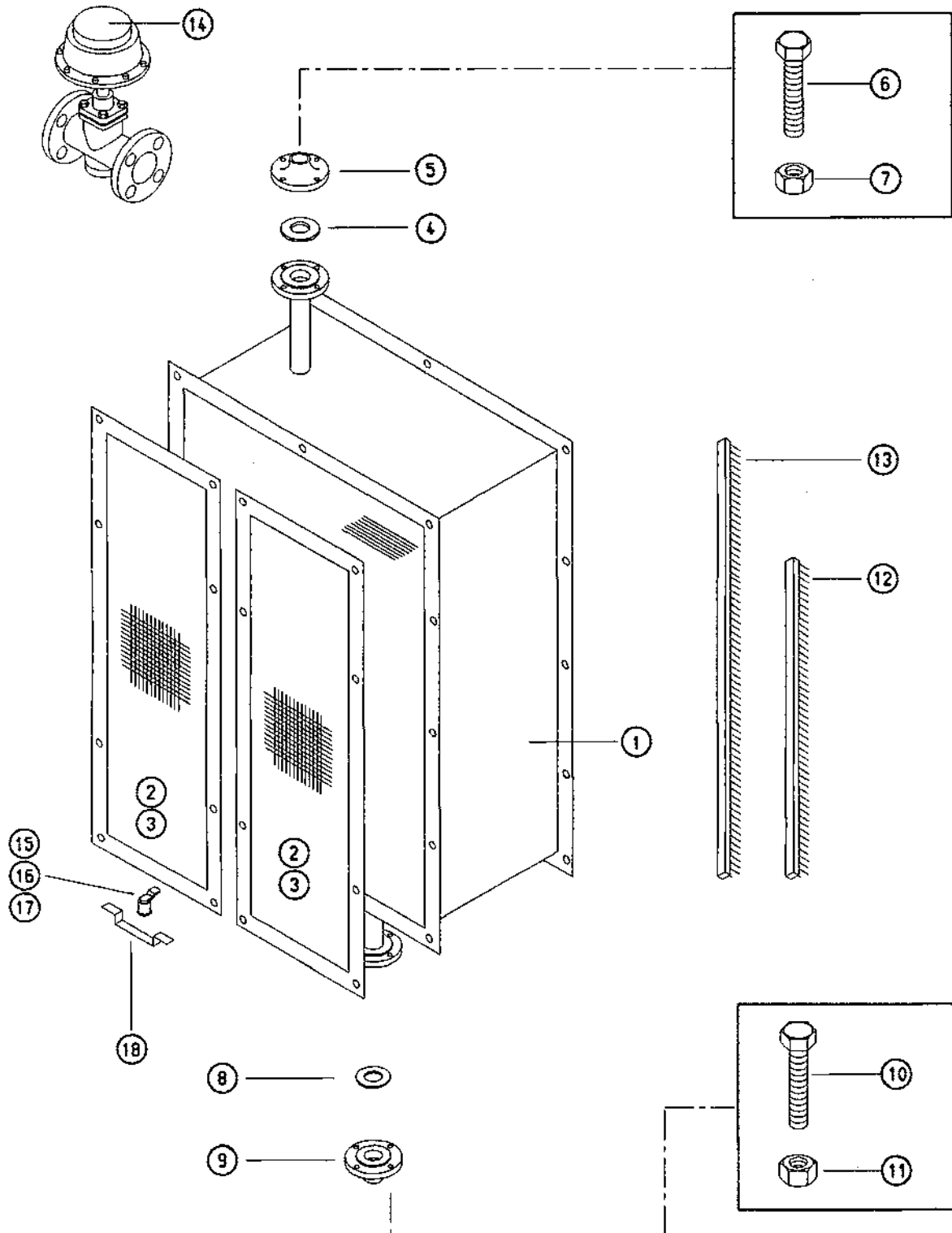
Type		Spare Parts List			Page
646,656,657, 746,756,757		Gas Heating, Line Burner Minnox  USA-CANADA 60 Hz			9-13.7
Pos.	Part No.	Part Name	Description	Quant.	
17	119 148	Set, Air Control (Type 756,757)	16DV-ARSP	1	
18	119 165	BV-Flap (Type 756,757)	16-BVM-R,Rc4	1	
19	119 162	Motor, Servo (Type 756,757)	235R3-024-01-S1 50/60Hz	1	
20	119 195	Hose, Spiral Air (Type 756,757)	DN110, L=1000	1	

646, 656, 657  
TYPE  
746, 756, 757

HEAT EXCHANGER  
AND STEAM SCREEN

Page

9-14.0



Type 646,656,657, 746,756,757		Spare Parts List Heat Exchanger and Steam Screen			Page 9-14.1
Pos.	Part No.	Part Name	Description	Quant.	
1	118 161-3	Exchanger, Heat	(Type 746) 5 Rows	1	
	118 158-3	Exchanger, Heat	(Type 756) 6 Rows	1	
	118 217-3	Exchanger, Heat	(Type 757) 6 Rows	1	
2	230 146-2	Screen, Steam	(Type 746) left/right	2	
	222 892-2	Screen, Steam	(Type 756) left/right	2	
	237 373-2	Screen, Steam	(Type 757) left/right	2	
3	237 635-2	Screen, Steam, pull-out	(Type 746) left/right	2	
	237 635-2	Screen, Steam, pull-out	(Type 756) left/right	2	
	237 635-2	Screen, Steam, pull-out	(Type 757) left/right	2	
4	028 019	Seal	DN 50	1	
5	115 110	Flange, Repl. 118 010	DN 50	1	
	118 010	Flange	DN 50	1	
6	020 022	Bolt, Hex, Repl. 020 087	DIN 601 M16x55	4	
	020 087	Bolt, Hex	DIN 601 M16x60	4	
7	020 040	Nut, Hex	DIN 934 M16	4	
8	028 014	Seal	DN 25	1	
9	118 001	Flange	DN 25	1	
10	020 021	Bolt, Hex	DIN 601 M12x50	4	
11	020 039	Nut, Hex	DIN 934 M12	4	

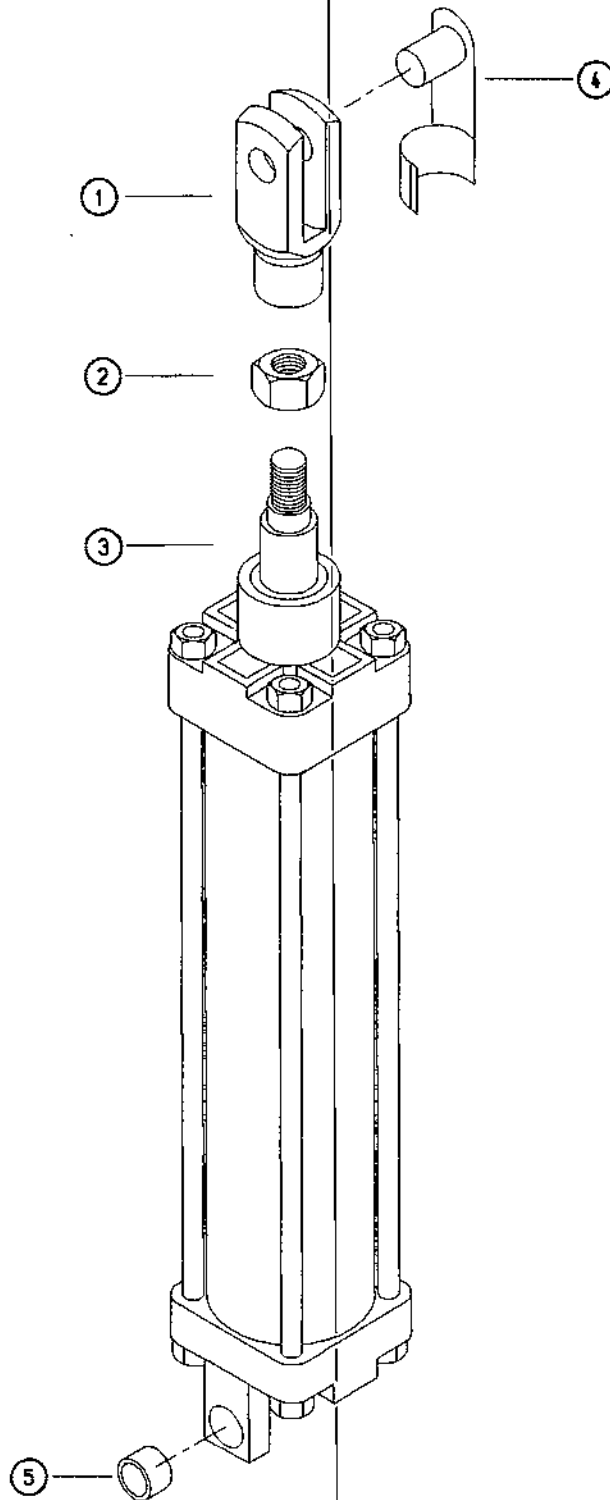
Type		Spare Parts List			Page
646,656,657, 746,756,757		Heat Exchanger and Steam Screen			9-14.1
Pos.	Part No.	Part Name		Description	Quant.
1	118 161-3	Exchanger, Heat	(Type 746)	5 Rows	1
	118 158-3	Exchanger, Heat	(Type 756)	6 Rows	1
	118 217-3	Exchanger, Heat	(Type 757)	6 Rows	1
2	230 146-2	Screen, Steam	(Type 746)	left/right	2
	222 892-2	Screen, Steam	(Type 756)	left/right	2
	237 373-2	Screen, Steam	(Type 757)	left/right	2
3	237 635-2	Screen, Steam, pull-out	(Type 746)	left/right	2
	237 635-2	Screen, Steam, pull-out	(Type 756)	left/right	2
	237 635-2	Screen, Steam, pull-out	(Type 757)	left/right	2
4	028 019	Seal		DN 50	1
5	115 110	Flange, Repl. 118 010		DN 50	1
	118 010	Flange		DN 50	1
6	020 022	Bolt, Hex, Repl. 020 087	DIN 601	M16x55	4
	020 087	Bolt, Hex	DIN 601	M16x60	4
7	020 040	Nut, Hex	DIN 934	M16	4
8	028 014	Seal		DN 25	1
9	118 001	Flange		DN 25	1
10	020 021	Bolt, Hex	DIN 601	M12x50	4
11	020 039	Nut, Hex	DIN 934	M12	4

Type 646,656,657, 746,756,757		Spare Parts List Heat Exchangers and Steam Screen			Page 9-14.2
Pos.	Part No.	Part Name	Description	Quant.	
12	125 056-3	Seal, Brush, Repl. 239 174-4 (Type 746)	720 mm	2	
	239 174-4	Seal, Brush		2	
	125 059-3	Seal, Brush, Repl. 239 171-4 (Type 756,757)	802 mm	2	
	239 171-4	Seal, Brush	800 mm	2	
13	125 057-3	Seal, Brush, Repl. 239 175-4 (Type 746)	1430 mm	2	
	239 175-4	Seal, Brush	1380 mm	2	
	125 058-3	Seal, Brush, Repl. 239 172-4 (Type 756)	1540 mm	2	
	239 172-4	Seal, Brush	1560 mm	2	
	125 060-3	Seal, Brush, Repl. 239 173-4 (Type 757)	1540 mm	2	
	239 173-4	Seal, Brush	2040 mm	2	
14	111 260	Valve, Piston Control	512/50D 885-1-2	1	
	914 196-5	Repair Kit for Pos. 14		1	
15	121 138	Actuator	□ 7 mm	1	
16	121 061	Housing, Lock		1	
17	121 060	Tongue		1	
18	125 022	Handle		1	

TYPE 646.656.657  
746.756.757

CYLINDER ASSEMBLY  
MAKE UP AIR FLAP

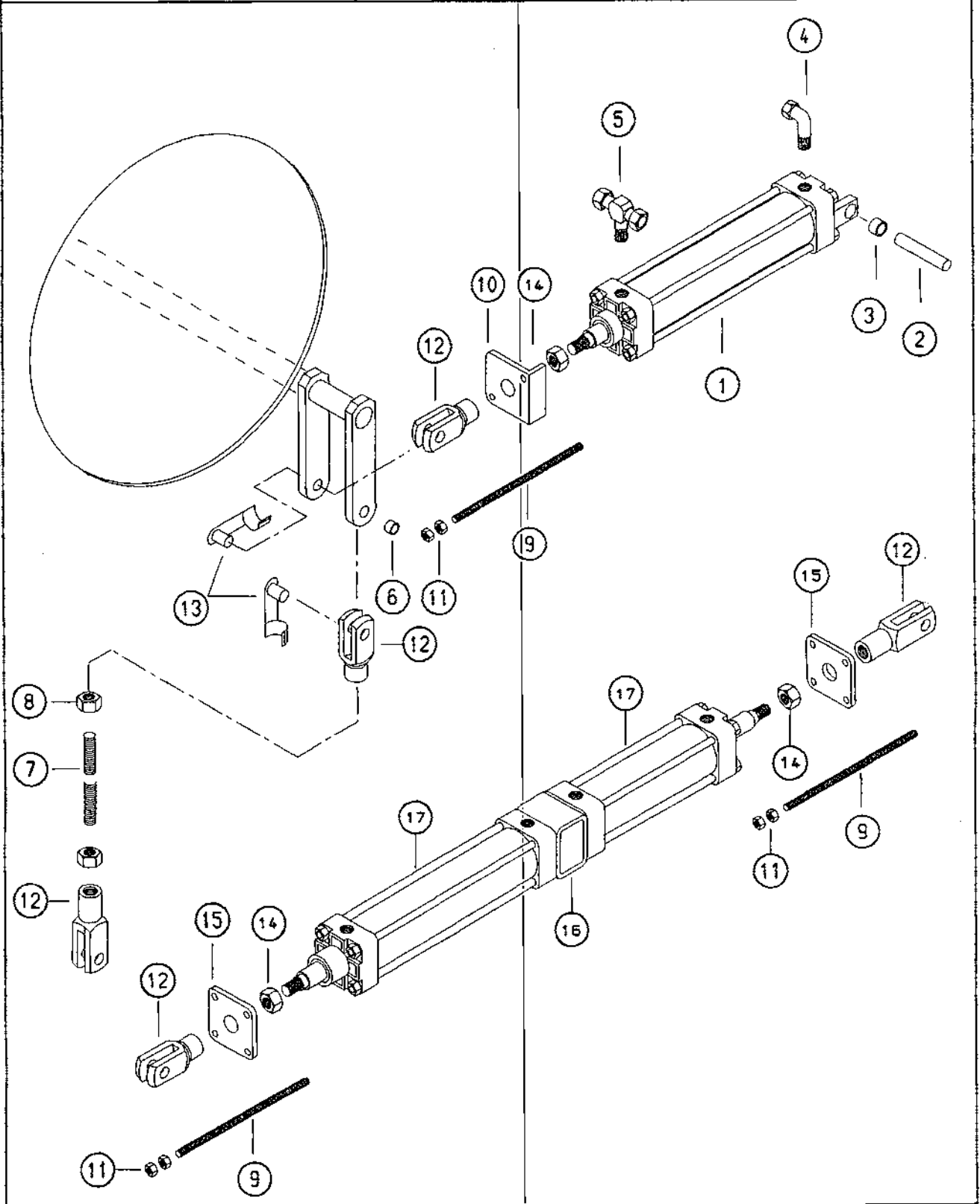
Page  
9-15.0





Type		Spare Parts List			Page
646,656,657, 746,756,757		Cylinder Assembly Make-Up Air Flap			9-15.1
Pos.	Part No.	Part Name	Description	Quant.	
1	020 190	Clevis	DIN 71752 G 16x32	1	
2	020 290	Nut, Hex	DIN 936 M16	1	
3	111 891	Cylinder, Pneumatic	DZ 1063-200	1	
4	020 191	Bolt	16x32	1	
5	100 037	Bearing, Plain Clycodur	16x18x15	2	
	111 544	Repair Kit for Cylinder Pos. 3		1	

TYPE 646.656.657 746.756.757	ENSEMBLE VERIN ECHAPPEMENT ET RECYCLAGE	Page 9-15.2
------------------------------------	--	----------------



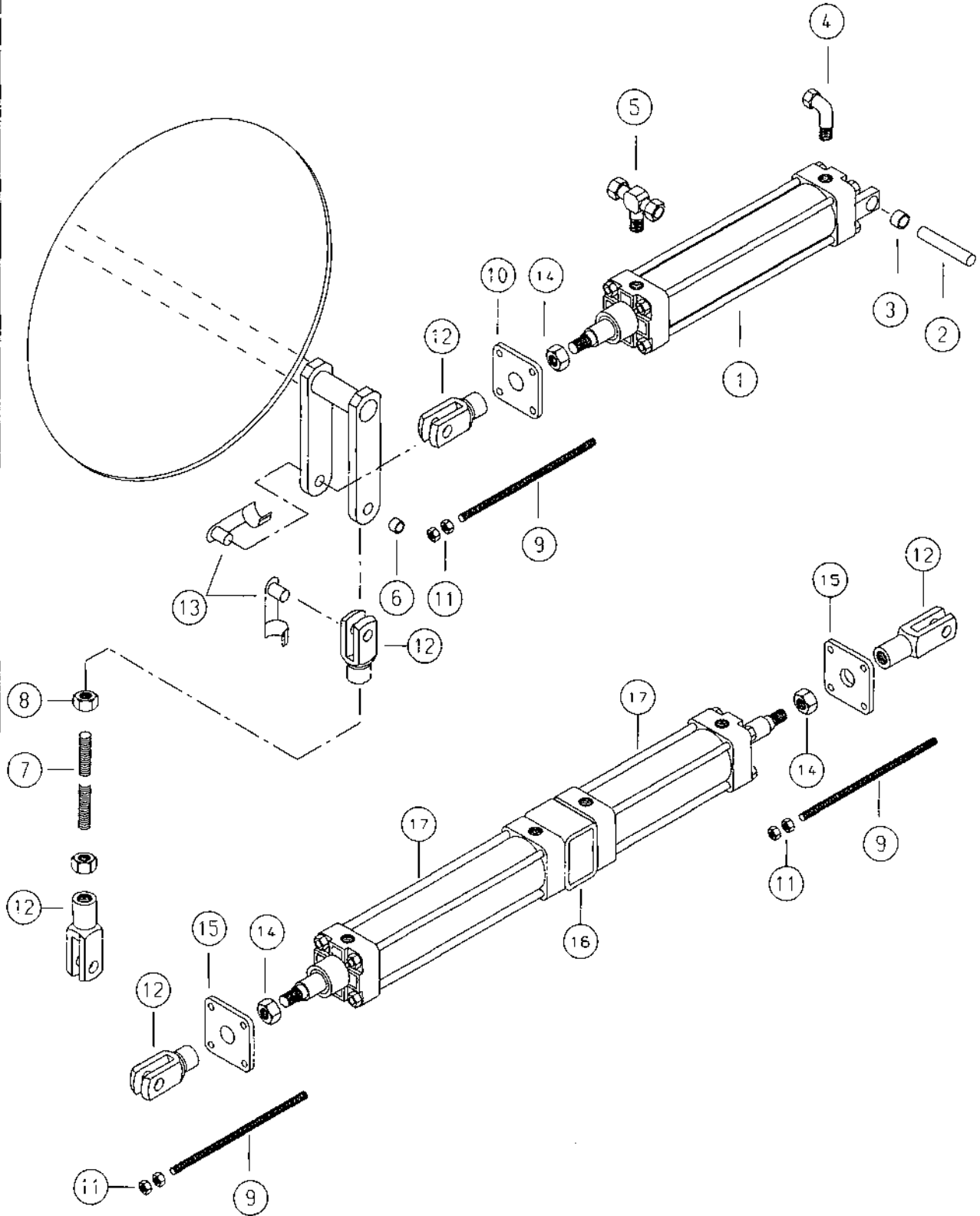
Type 646,656,657, 746,756,757		Spare Parts List Cylinder Assembly Exhaust and By-Pass Flap		Page 9-15.3
Pos.	Part No.	Part Name	Description	Quant.
1	111 062	Cylinder, Pneumatic	150 mm stroke	1
2	020 908	Bolt	Hörbiger	1
3	100 072	Bearing, Plain	Clycodur	1
4	111 049	Fitting, Elbow	WE 8 PLR	1
5	111 055	T- Fitting	TE 8 LR	1
6	100 003	Bearing, Plain (Type 746)	Clycodur	1
	100 003	Bearing, Plain (Type 756,757)	Clycodur	2
7	237 875--	Bar, Thread (Type 746)	M12x220	1
8	020 039	Nut, Hex (Type 746) DIN 934	M12	2
9	020 657	Bar, Thread DIN 976	M6x170	2
10	225 556-4	Stop		1
11	020 036	Nut, Hex DIN 934	M6	6
12	020 161	Clevis (Type 746) DIN 1752	M12	1
	020 161	Clevis (Type 756,757) DIN 1752	M12	3
13	020 162	Bolt, Spring (Type 746)	D12x24	1
	020 162	Bolt, Spring (Type 756,757)	D12x24	3
14	020 435	Nut, Hex DIN 439/936	M12	1
	111 543	Repair Kit for Cylinder Pos. 1		1

Type		Spare Parts List		Page
646,656,657, 746,756,757		Cylinder Assembly Exhaust and By-Pass Flap		9-15.4
Pos.	Part No.	Part Name	Description	Quant.
15	222 610-4	Stop*		2
16	237 212-4	Bracket, Cylinder*		1
17	111 061	Cylinder*	100 mm stroke	2
* = steam version option				

646.656.657  
TYPE  
746.756.757

CYLINDER ASSEMBLY  
EXHAUST AND BY-PASS FLAP

Page  
9-15.5



Type		Spare Parts List			Page
646,656,657, 746,756,757		Cylinder Assembly Exhaust and By-Pass Flap			9-15.6
Pos.	Part No.	Part Name	Description	Quant.	
1	111 062	Cylinder, Pneumatic	150 mm stroke	1	
2	020 908	Bolt	Hörbiger	1	
3	100 072	Bearing, Plain	Clycodur	1	
4	111 049	Fitting, Elbow	WE 8 PLR	1	
5	111 055	T- Fitting	TE 8 LR	1	
6	100 003	Bearing, Plain (Type 746)	Clycodur	1	
	100 003	Bearing, Plain (Type 756,757)	Clycodur	2	
7	237 875--	Bar, Thread (Type 746)	M12x220	1	
8	020 039	Nut, Hex (Type 746) DIN 934	M12	2	
9	020 657	Bar, Thread DIN 976	M6x170	2	
10	225 556-4	Stop		1	
11	020 036	Nut, Hex DIN 934	M6	6	
12	020 161	Clevis (Type 746) DIN 1752	M12	1	
	020 161	Clevis (Type 756,757) DIN 1752	M12	3	
13	020 162	Bolt, Spring (Type 746)	D12x24	1	
	020 162	Bolt, Spring (Type 756,757)	D12x24	3	
14	020 435	Nut, Hex DIN 439/936	M12	1	
	111 543	Repair Kit for Cylinder Pos. 1		1	

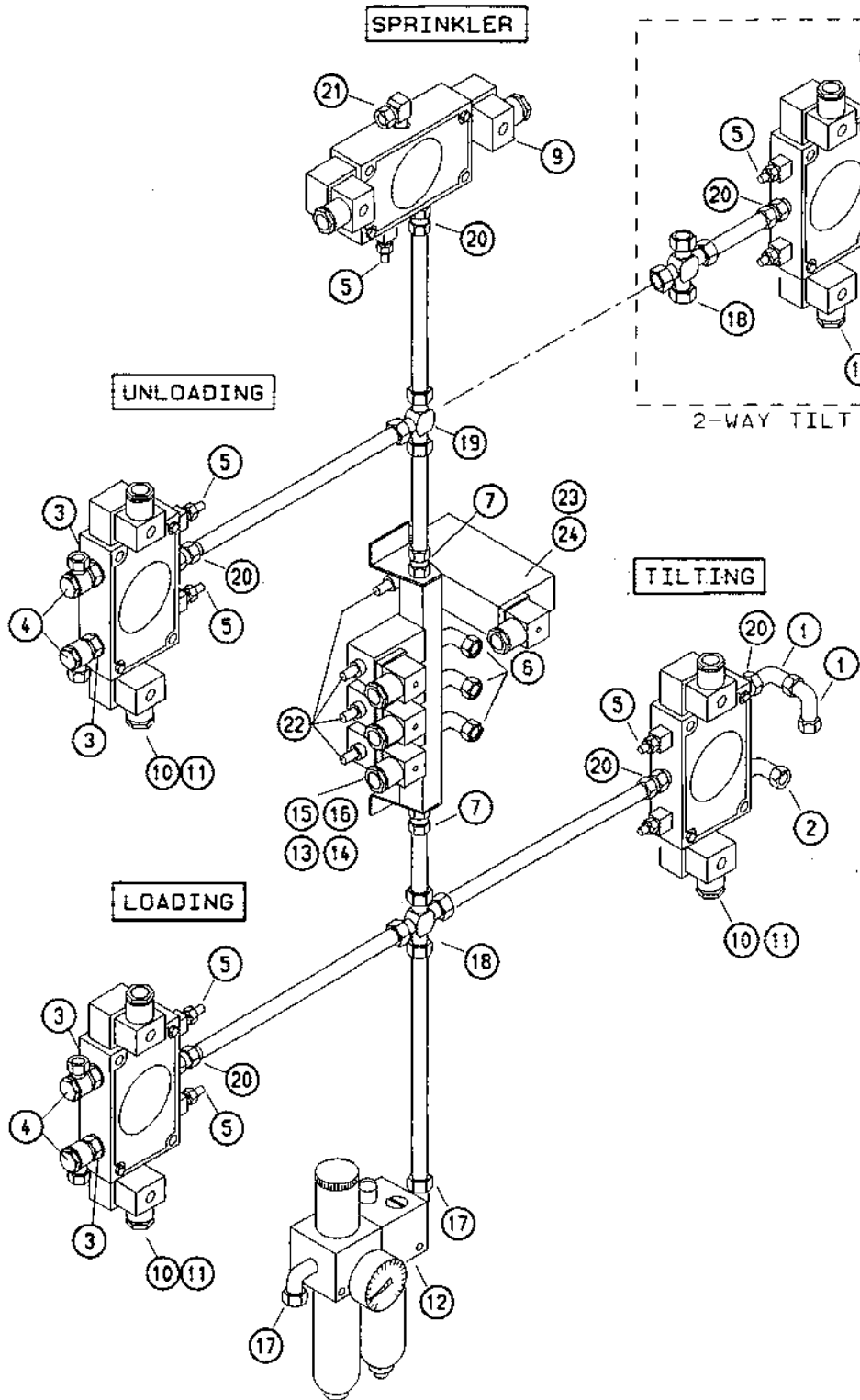
Type		Spare Parts List		Page
646,656,657. 746,756,757		Cylinder Assembly Exhaust and By-Pass Flap		9-15.7
Pos.	Part No.	Part Name	Description	Quant.
15	222 610-4	Stop*		2
16	237 212-4	Bracket, Cylinder*		1
17	111 061	Cylinder*	100 mm stroke	2
* = steam version option				

TYPE 646.656.657  
746.756.757

PNEUMATIC SYSTEM

Page

9-16.0





Type		Spare Parts List			Page
646,656,657, 746,756,757		Pneumatic System			9-16.1
Pos.	Part No.	Part Name	Description	Quant.	
1	111 478	Elbow, Adjust.	EWV 12 PL	4	
2	111 435	Elbow	ESVS WE 12 LLR	2	
3	030 025	Nipple, Reducer	GF 241 1/4"x1/8"	4	
4	111 654	Fitting, Banjo	SWVE 8 LLR	4	
5	111 064	Throttle, Exhaust	DVE 08 1/4"	9	
6	111 096	Elbow	ESVS WE 8 LLR 1/8	3	
7	111 102	Fitting, Straight	ESVS GE 12 LR	2	
8	111 049	Fitting, Elbow	ESVS WE 8 PLR	1	
9	111 379	Valve, Solenoid 3/2 way	24V 50/60Hz PA 12575-5143	1	
10	111 794	Valve, Solenoid Air 5/3 way	S8 581RFG-1/4 230V 50/60Hz	4	
11	111 795	Valve, Air 5/3 way	S8 581RFG-1/4 115V 60Hz	4	
12	111 250	Regulator, Pressure until Dec. 98	CKL2-10-H-MW	1	
	111 950	Regulator, Pressure from Jan. 99	CKL-3/8-H-MW	1	
	240 430-4	Modification Kit for Regulator 111 250 to Regulator 111 950 with Bracket		1	
	111 427	Glass, Oiler for Regulator 111 250		1	
	112 648	Glass, Oiler for Regulator 111 950		1	
	111 426	Glass, Water Separator for Regulator 111 250		1	
	112 649	Glass, Water Separator for Regulator 111 950		1	

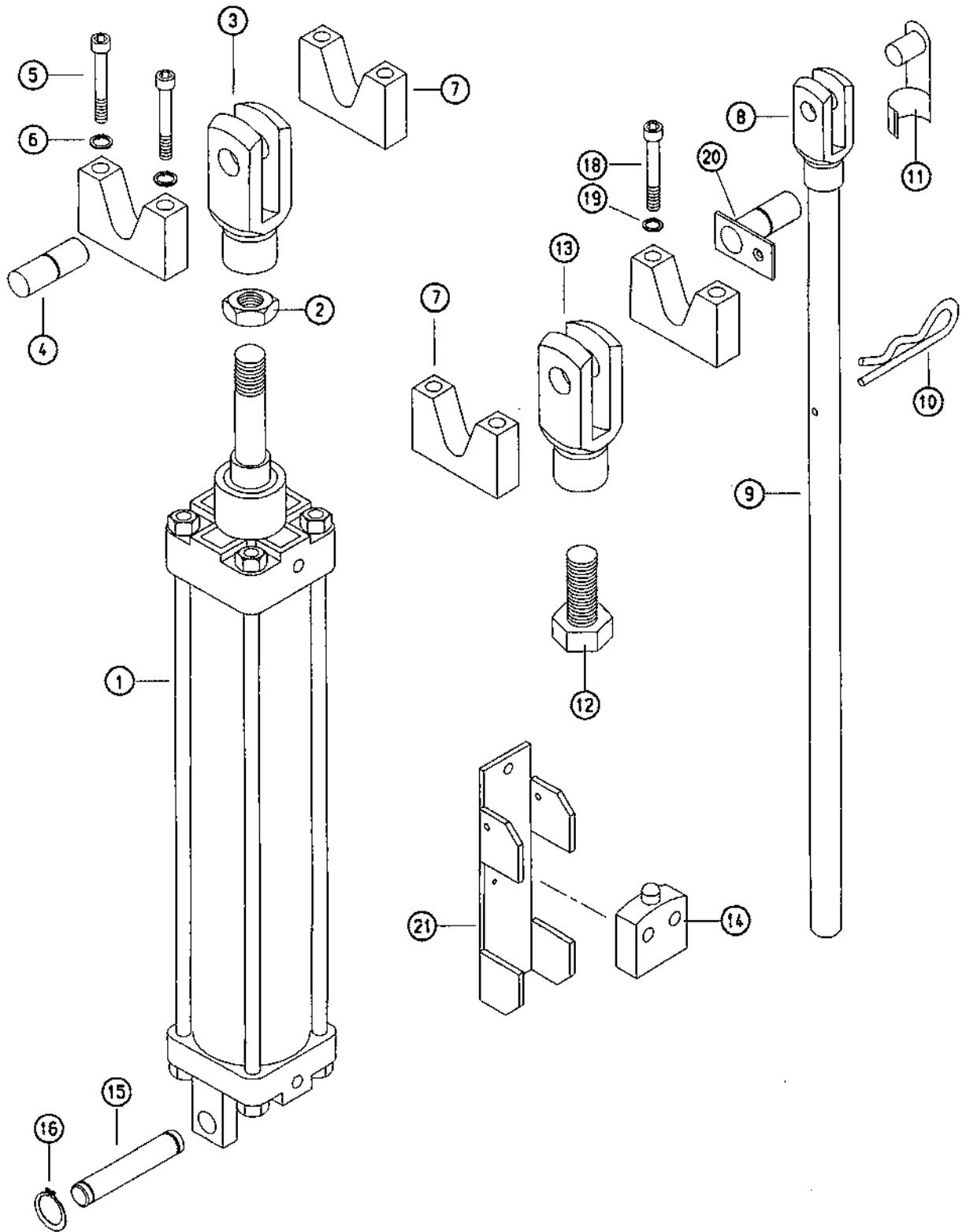
Type		Spare Parts List			Page
646,656,657, 746,756,757		Pneumatic System			9-16.2
Pos.	Part No.	Part Name	Description	Quant.	
13	111 488	Valve, Solenoid Manifold 3 of 6	230V 50Hz	1	
14	111 771	Valve, Solenoid Manifold 3 of 6	115V 60Hz	1	
15	111 149	Valve, Solenoid Herion	230V 50Hz	3	
16	111 233	Valve, Solenoid Herion	115V 60Hz	3	
17	111 471	Elbow	ESVS WE 12 PLR 3/8	2	
18	111 506	Fitting, Cross	K12-PL	2	
19	111 640	T-Fitting	T 12 PL	1	
20	111 411	Fitting, Straight	ESVS GE 12 LR 1/4"	7	
21	111 044	Fitting, Elbow	ESVS WE 8 LR 1/4 MS	1	
22	112 034	Muffler	G1/8"-D1-06	4	
23	111 967	Valve, Solenoid 4/2 way	230V/50Hz	1	
	112 286	Valve, Solenoid 4/2 way	115/60Hz	1	
24	111 034	Fitting	GE 8 LLR 1/8"	2	

TYPE 646, 656, 657  
746, 756, 757

TILT SYSTEM WITH TILT SUPPORT

Page

9-17.0



Type		Spare Parts List			Page
646,656,657, 746,756,757		Tilt System with Tilt Support			9-17.1
Pos.	Part No.	Part Name	Description	Quant.	
1	111 727	Cylinder, Pneumatic (Type 746)	DZS 1100	4	
	111 111	Cylinder, Pneumatic (Type 756)	DZS 1125	2	
	111 778	Cylinder, Pneumatic (Type 757)	DZS 1125	2	
2	020 407	Nut, Hex (Type 746)	DIN 936 M20	4	
	020 184	Nut, Hex (Type 756,757)	DIN 936 M27	2	
3	020 185	Clevis (Type 746)	M20	4	
	020 773	Clevis (Type 756,757)	M27	2	
4	230 339-4	Bolt, Guide, Repl. 238 444-4 (Type 746)		4	
	238 444-4	Bolt, Tilting		4	
	230 402-4	Bolt, Guide, Repl. 238 440-4 (Type 757)		2	
	230 440-4	Bolt, Guide (Type 757)		2	
	230 405-4	Bolt, Guide, Repl. 238 222-4 (Type 756,757)		4	
	238 222-4	Bolt, Guide (Type 756,757)		4	
	238 222-4	Bolt, Guide (Type 757)		2	
5	020 381	Bolt, Allen (Type 746)	DIN 912 M10x50	16	
	020 772	Bolt, Allen (Type 756,757)	DIN 912 M10x70	8	
6	020 107	Washer, Lock DIN 7980	10,4	16	

Type		Spare Parts List			Page
646,656,657, 746,756,757		Tilt System with Tilt Support			9-17.2
Pos.	Part No.	Part Name	Description	Quant.	
7	230 338-4	Bracket, Rest (Type 746)	50x25x85	8	
	220 318-4	Bracket, Rest (Type 756,757)	65x25x95	4	
8	020 190	Clevis DIN 71752	16x32	1	
9	230 870-4	Rod, Support (Type 746)	25x580	1	
	230 740-4	Rod, Support (Type 756,757)	25x830	1	
10	020 782	R-Pin	D=7	1	
11	020 191	Bolt		1	
12	020 180	Bolt, Hex DIN 933	M27x50	2	
13	020 773	Clevis	M27	2	
14	136 401	Switch, Repl. 240 389-4	3SE 4006	1	
	240 389-4	Modification Kit for Limit Switch with Roller Lever		1	
15	230 341-4	Bolt (Type 746)		4	
	230 406-4	Bolt (Type 756,757)		4	
16	025 011	Ring, Snap (Type 746) DIN 471	A20x1,2	8	
	025 005	Ring, Snap (Type 756,757) DIN 471	A25x1,2	8	
17					
18	020 772	Bolt, Allen DIN 912	M10x70	8	
19	020 107	Washer, Lock DIN 7980	10,4	8	

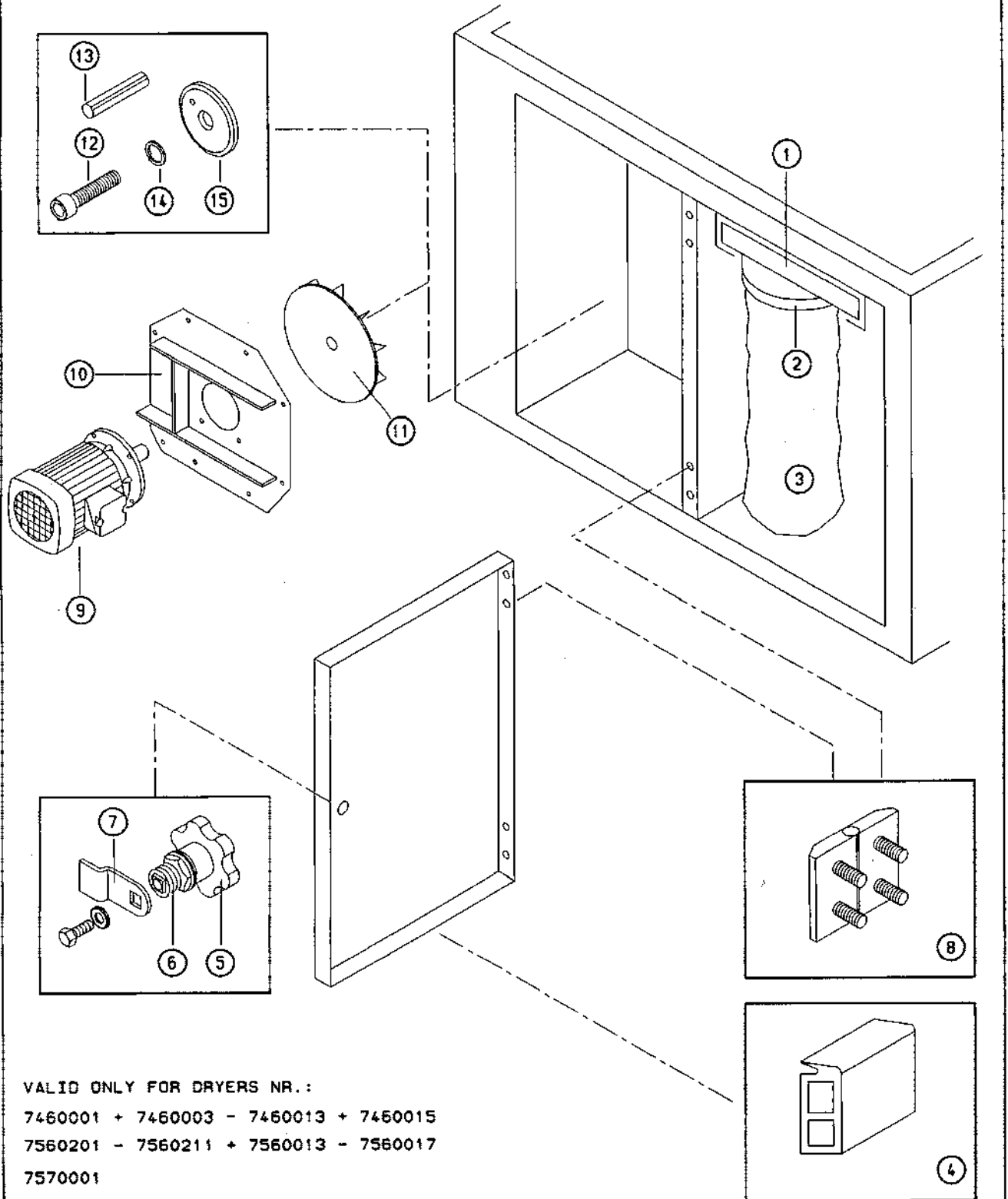
Type		Spare Parts List		Page
646,656,657, 746,756,757		Tilt System with Tilt Support		9-17.3
Pos.	Part No.	Part Name	Description	Quant.
20	238 444-4	Bolt	(Type 746)	2
	238 222-4	Bolt	(Type 756)	2
	238 222-4	Bolt	(Type 757)	1
	238 440-4	Bolt	(Type 757)	1
21	230 748-4	Bracket, Repl. 239 166-4		1
	239 166-4	Bracket	(Type 746,756,757)	1
	111 702	Repair Kit for Cylinder 111 727		
	111 545	Repair Kit for Cylinder 111 111		
	111 545	Repair Kit for Cylinder 111 778		

TYPE 646.656.657  
746.756.757

LINT SUCTION SYSTEM

Page

9-18.0



VALID ONLY FOR DRYERS NR. :  
7460001 + 7460003 - 7460013 + 7460015  
7560201 - 7560211 + 7560013 - 7560017  
7570001

Type		Spare Parts List			Page
646,656,657, 746,756,757		Lint Suction System			9-18.1
Pos.	Part No.	Part Name	Description	Quant.	
1	230 325-3	Bracket , Lint Bag (Type 746)	1011-09	1	
	222 916-3	Bracket , Lint Bag (Type 756)		1	
	230 757-3	Bracket , Lint Bag (Type 757)		2	
2	121 118	Clamp (Type 746)		1	
	121 157	Clamp (Type 756)		1	
	121 157	Clamp (Type 757)		2	
3	123 055-4	Bag, Lint (Type 746,756)		1	
	123 055-4	Bag Lint (Type 757)		2	
4	005 707	Seal			
5	121 026	Handle		1	
6	121 061	Housing, Lock		1	
7	121 060	Tongue		1	
8	121 002	Hinge, Bolt-on		2	
9		Motor, Flange Indicate Voltage, Frequency and kW		1	
10	230 310-3	Plate, Motor		1	
11	225 081-2	Blower, Lint	50Hz 460 mm	1	
	225 157-2	Blower, Lint	60Hz 440 mm	1	
12	020 588	Bolt, Allen DIN 912	M8x70	1	
13	020 106	Pin, Roll DIN 1481	3x20	1	
14	020 557	Washer, Spring DIN 7980	8	1	
15	223 713-4	Washer		1	

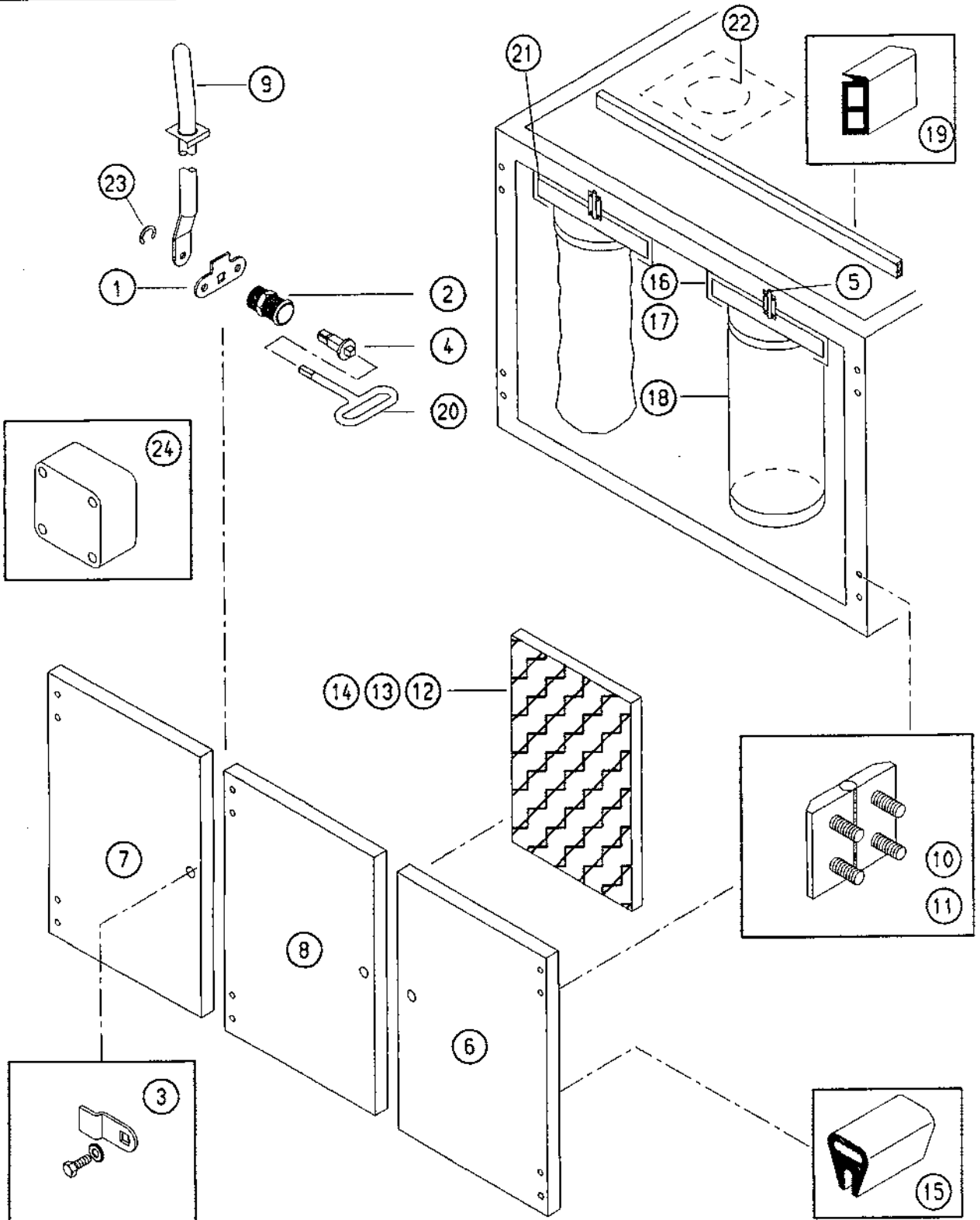


TYPE 646, 656, 657  
746, 756, 757

LINT SUCTION SYSTEM

Page

9-18.2



Type 646,656,657, 746,756,757		Spare Parts List Lint Suction System			Page 9-18.3
Pos.	Part No.	Part Name	Description	Quant.	
1	121 005	Holder, Bar (Type 746)		1	
2	121 061	Housing, Lock (Type 746)		1	
	121 061	Housing, Lock (Type 756)		2	
	121 061	Housing, Lock (Type 757)		3	
3	121 060	Tongue (Type 756)		2	
	121 060	Tongue (Type 757)		3	
4	121 138	Actuator (Type 756)		2	
	121 138	Actuator (Type 757)		3	
5	121 187	Clamp, Repl. 121 206 (Type 746)		4	
	121 206	Lock, Tension			
	121 187	Clamp, Repl. 121 206 (Type 756)		2	
	121 206	Lock, Tension			
	121 187	Clamp, Repl. 121 206 (Type 757)		3	
	121 206	Lock, Tension			
6	236 187-4	Door right (Type 746)		1	
	237 812-2	Door right (Type 756, 757)		1	
7	236 186-2	Door left (Type 746)		1	
	237 812-2	Door left (Type 756,757)		1	
8	237 813-2	Door center		1	
9	121 189-4	Bar, Hinge (Typ 746)		2	
10	121 183	Hinge, Bolt-on (Typ 746, 756)		4	
	121 183	Hinge, Bolt-on (Typ 757)		6	

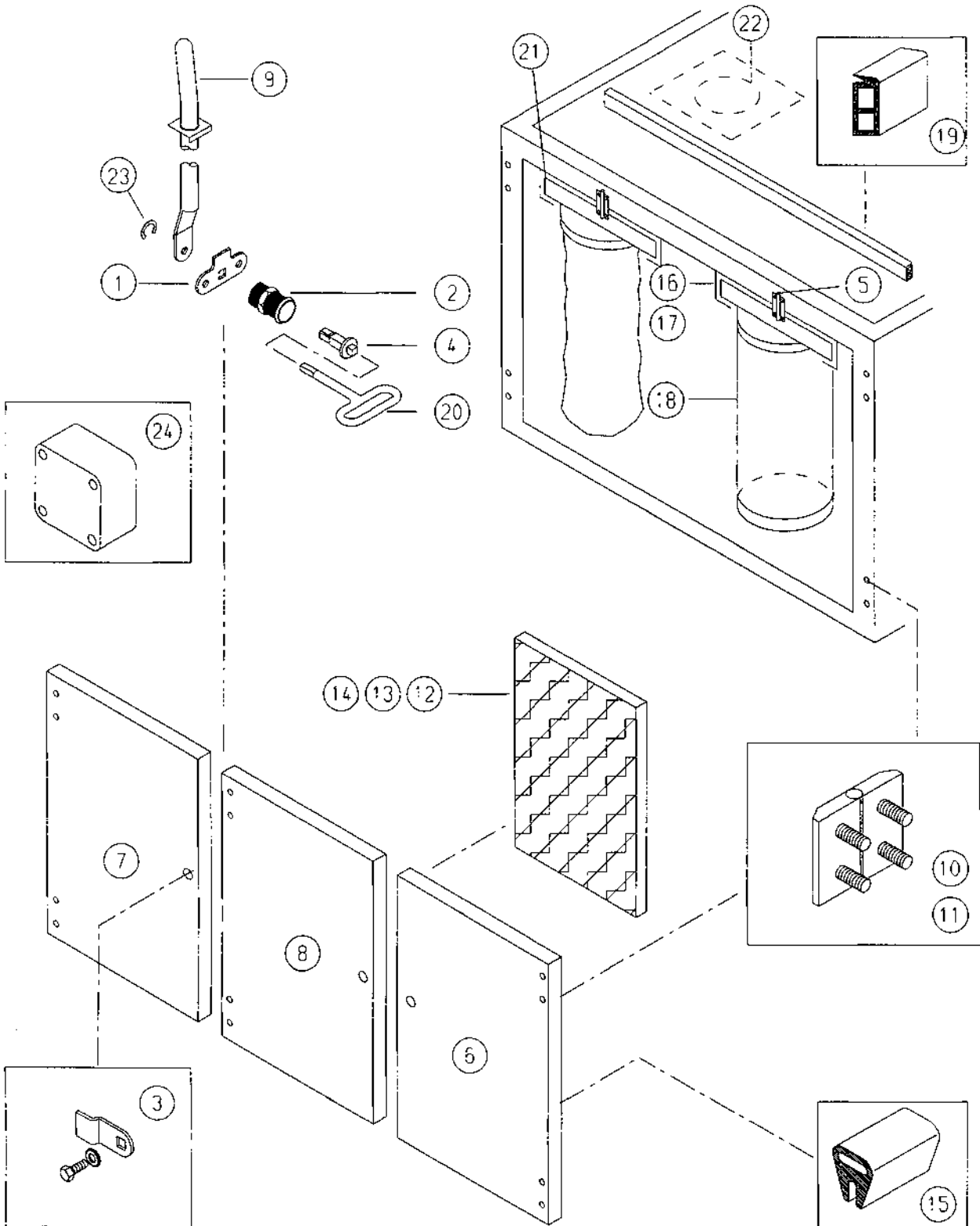
Type		Spare Parts List			Page
646,656,657, 746,756,757		Lint Suction System			9-18.4
Pos.	Part No.	Part Name	Description	Quant.	
11	237 815-4	Base, Hinge (Type 746, 756)		12	
	237 815-4	Base, Hinge (Type 757)		18	
12	236 188-4	Insulation, Door Lint right (Type 746)	15x535x900	1	
	237 816-4	Insulation, Door Lint right (Type 756, 757)	15x575x900	1	
13	236 189--	Insulation, Door Lint left	15x535x780	1	
	237 816-4	Insulation, Door Lint left (Type 756, 757)	15x575x900	1	
14	237 817-4	Insulation, Door center	15x525x900	1	
15	005 739	Seal (Type 746, 756, 757)	3,5 m	/Door	
16	236 198-3	Holder, Bag (Type 746)		2	
	223 099-3	Holder, Bag (Type 756)		2	
	223 099-3	Holder, Bag (Type 757)		3	
17	121 185	Clamp (Type 746)		2	
	121 184	Clamp (Type 756)		2	
	121 184	Clamp (Type 757)		3	
18	123 066-4	Bag, Lint, Bag Version (Type 746)		2	
	123 074-4	Pipe, Lint Steam Repl. 123 102-4 SS (Type 746)		2	
	123 102-4	Pipe, Lint Steam		2	
	123 088-4	Pipe, Lint Gas, Repl. 123 099-4 SS		2	
	123 099-4	Pipe, Lint Gas, Repl. 123 102-4		2	
	123 102-4	Pipe, Lint		2	

646.656.657  
TYPE  
746.756.757

LIN\* SUCTION

Page

9-18.5



Type		Spare Parts List			Page
646,656,657, 746,756,757		Lint Suction System			9-18.6
Pos.	Part No.	Part Name	Description	Quant.	
1	121 005	Holder, Bar	(Type 746)	1	
2	121 061	Housing, Lock	(Type 746)	1	
	121 061	Housing, Lock	(Type 756)	2	
	121 061	Housing, Lock	(Type 757)	3	
3	121 060	Tongue	(Type 756)	2	
	121 060	Tongue	(Type 757)	3	
4	121 138	Actuator	(Type 756)	2	
	121 138	Actuator	(Type 757)	3	
5	121 187	Clamp, Repl. 121 206	(Type 746)	4	
	121 206	Lock, Tension			
	121 187	Clamp, Repl. 121 206	(Type 756)	2	
	121 206	Lock, Tension			
	121 187	Clamp, Repl. 121 206	(Type 757)	3	
	121 206	Lock, Tension			
6	236 187-4	Door right	(Type 746)	1	
	237 812-2	Door right	(Type 756, 757)	1	
7	236 186-2	Door left	(Type 746)	1	
	237 812-2	Door left	(Type 756,757)	1	
8	237 813-2	Door center		1	
9	121 189-4	Bar, Hinge	(Type 746)	2	
10	121 183	Hinge, Bolt-on	(Type 746, 756)	4	
	121 183	Hinge, Bolt-on	(Type 757)	6	

Type		Spare Parts List			Page
646,656,657, 746,756,757		Lint Suction System			9-18.7
Pos.	Part No.	Part Name	Description	Quant.	
11	237 815-4	Base, Hinge (Type 746, 756)		12	
	237 815-4	Base, Hinge (Type 757)		18	
12	236 188-4	Insulation, Door Lint right (Type 746)	15x535x900	1	
	237 816-4	Insulation, Door Lint right (Type 756, 757)	15x575x900	1	
13	236 189--	Insulation, Door Lint left	15x535x780	1	
	237 816-4	Insulation, Door Lint left (Type 756, 757)	15x575x900	1	
14	237 817-4	Insulation, Door center	15x525x900	1	
15	005 739	Seal (Type 746, 756, 757)	3,5 m	/Door	
16	236 198-3	Holder, Bag (Type 746)		2	
	223 099-3	Holder, Bag (Type 756)		2	
	223 099-3	Holder, Bag (Type 757)		3	
17	121 185	Clamp (Type 746)		2	
	121 184	Clamp (Type 756)		2	
	121 184	Clamp (Type 757)		3	
18	123 066-4	Bag, Lint, Bag Version (Type 746)		2	
	123 074-4	Pipe, Lint Steam Repl. 123 102-4 SS (Type 746)		2	
	123 102-4	Pipe, Lint Steam		2	
	123 088-4	Pipe, Lint Gas, Repl. 123 099-4 SS		2	
	123 099-4	Pipe, Lint Gas, Repl. 123 102-4		2	
	123 102-4	Pipe, Lint		2	

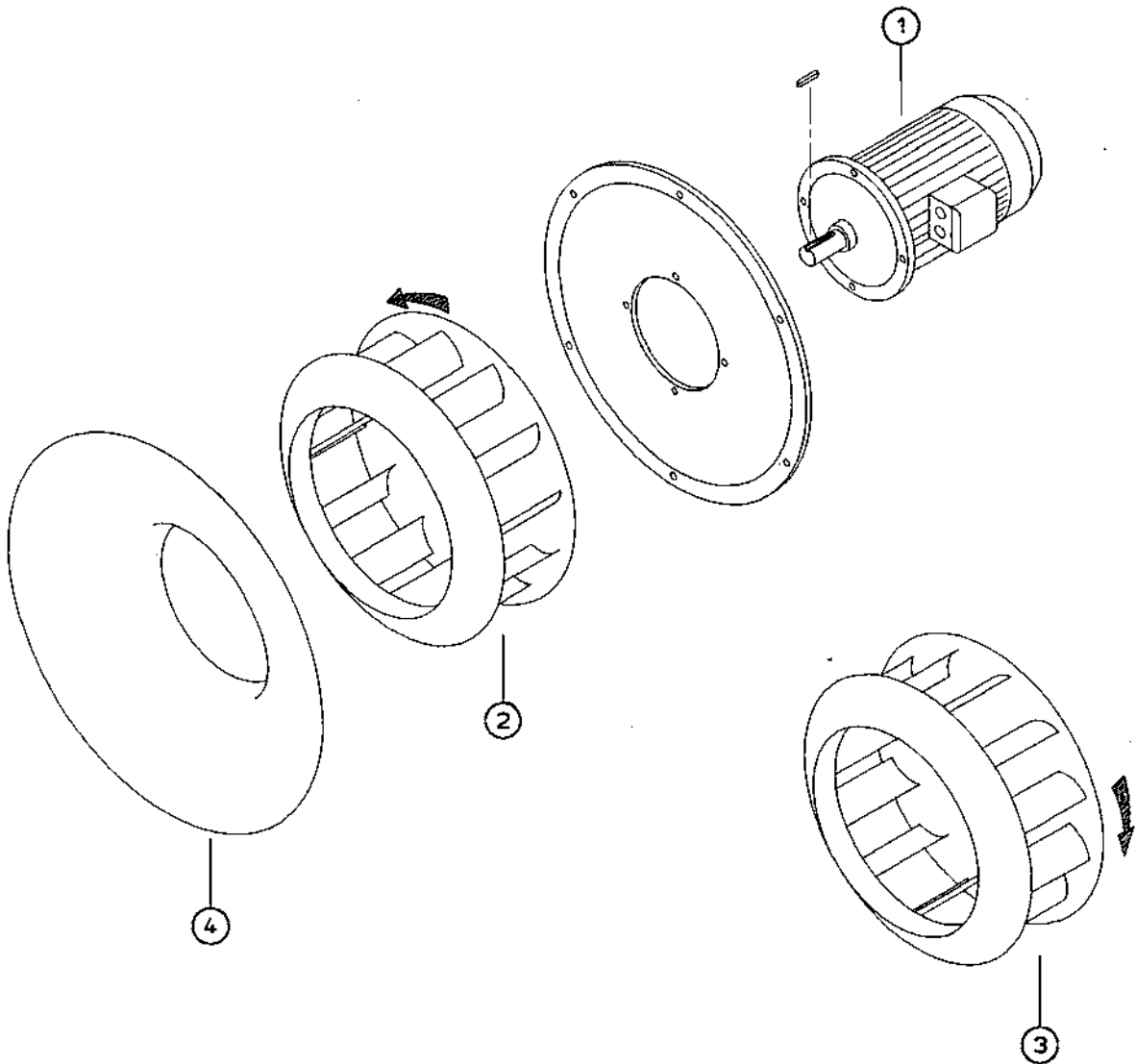
Type		Spare Parts List			Page
646,656,657, 746,756,757		Lint Suction System			9-18.8
Pos.	Part No.	Part Name	Description	Quant.	
	123 064-4	Bag, Lint (Type 756)		2	
	123 079-4	Pipe, Lint Steam, Repl. 123 103-4 SS (Type 756)		2	
	123 103-4	Pipe, Lint Steam		2	
	123 089-4	Pipe, Lint Gas, Repl. 123 098-4 SS		2	
	123 098-4	Pipe, Lint Gas, Repl. 123 103-4		2	
	123 103-4	Pipe, Lint		2	
	123 064-4	Bag, Lint (Type 757)		3	
	123 079-4	Pipe, Lint Steam, Repl. 123 103-4 SS (Type 757)		3	
	123 089-4	Pipe, Lint Gas, Repl. 123 098-4 SS		3	
	123 098-4	Pipe, Lint Gas, Repl. 123 103-4		3	
	123 103-4	Pipe, Lint		3	
19	005 738	Seal, Hollow (Type 746,756,757)	3,5 m	/Door	
20	121 139	Key, Square		1	
21	005 707	Seal for Slide	1700 mm	1	
22	005 767	Seal for Intermediate Frame	1800 mm	1	
23	025 028	Clip, Safety DIN 6799			
24	135 986	Switch, Vacuum 50 Hz	DL3A 0,3-3mbar	1	
	135 999	Switch, Vacuum 50 Hz	DL3A 0,3-3mbar	1	

TYPE 646.656.657  
746.756.757

BLOWER ASSEMBLY

Page

9-19.0





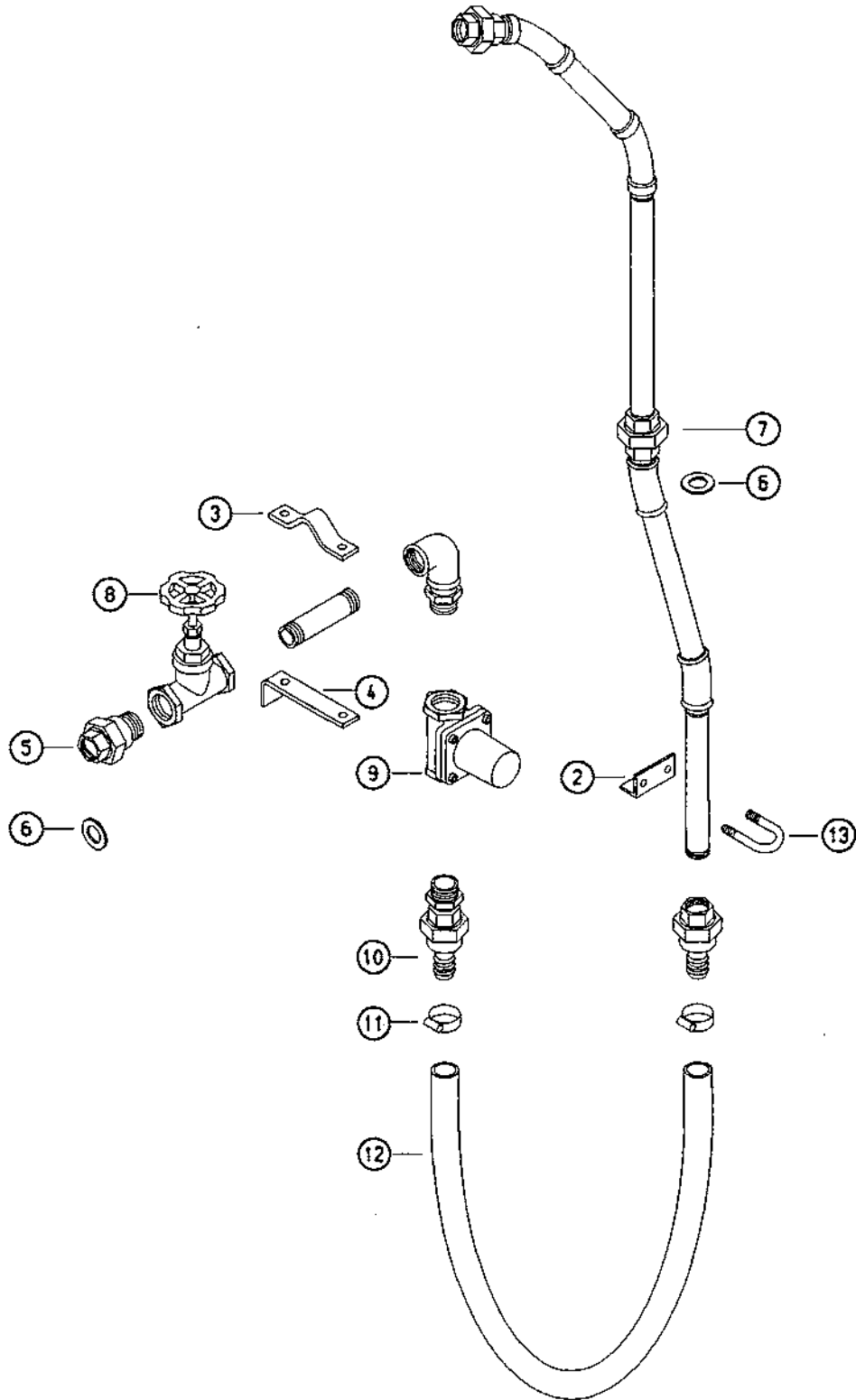
Type		Spare Parts List		Page
646,656,657, 746,756,757		Blower Assembly		9-19.1
Pos.	Part No.	Part Name	Description	Quant.
1		Motor, Flange Indicate Voltage, Frequency and kW		
2	116 045	Wheel, Blower left (Type 746,757)	14S-450-125-42-L 50Hz	1
	116 030	Wheel, Blower, Repl. 116 045 (Type 746,757)	9S-450-12-42-L 60Hz	1
	116 045	Wheel, Blower (Type 746,757)		1
3	116 035	Wheel, Blower Steam (Type 756)	14S-500-100-42-R 50Hz	1
	116 027	Wheel, Blower, Repl. 116 097 (Type 756)	14S-450-125-42-R 60Hz	1
	116 097	Wheel, Blower (Type 756)		1
	116 046	Wheel, Blower, Repl. 116 097 (Type 757)	14S-450-125-42-R 50Hz	1
	116 097	Wheel, Blower (Type 757)		1
	116 032	Wheel, Blower, Repl. 116 097 (Type 757)	9S-450-125-42-R 60Hz	1
	116 097	Wheel, Blower (Type 757)		1
4	116 029	Diffusor (Type 746, 757)	ED9-450 50Hz	1
	230 824-4	Diffusor, Repl. 236 252-4 (Type 746,757)	ED9-450 60Hz	1
	236 252-4	Diffusor (Type 746,757)	ED9-500 50Hz	1
	116 036	Diffusor (Type 756)		1
	116 028	Diffusor, Repl. 236 621-4 (Type 756)	ED10-450-330-1358 60Hz	1
	236 621-4	Diffusor (Type 756)		1

TYPE 646, 656, 657  
746, 756, 757

SPRINKLER ASSEMBLY

Page

9-20.0



Type		Spare Parts List		Page
646,656,657, 746,756,757		Sprinkler Assembly		9-20.1
Pos.	Part No.	Part Name	Description	Quant.
1	230 532-2	Sprinkler Assembly compl. (Type 746)		1
	230 789-1	Sprinkler Assembly compl. (Type 756, 757)		1
2	222 328-4	Bracket, Angle	3x80x80	1
3	222 297-4	Bracket, Bridge	30x4x145	1
4	222 296-5	Bracket, Angle	30x6x175	1
5	030 111	Coupling (Type 746)	GF 331 1"	2
	030 111	Coupling (Type 756,757)	GF 331 1"	3
6	028 118	Seal	DIN 3754 1" 32x44x2	3
7	030 135	Coupling	GF 330 1"	1
8	111 320	Valve, Ball	1" Nr.290 MS	1
9	111 378	Valve, Solenoid 2/2 way	ARKV 25	1
10	030 165	Coupling	GF 365 1"-27	2
11	121 049	Clamp, Hose Replacement 121 273		2
	121 273	Clamp, Hose	Mikalor	2
12	006 035	Hose, Universal	25x5,5	1
13	020 742	U-Bolt	M6 1" LW 35 LH 50	1

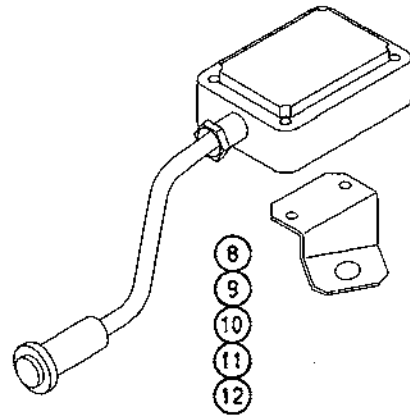
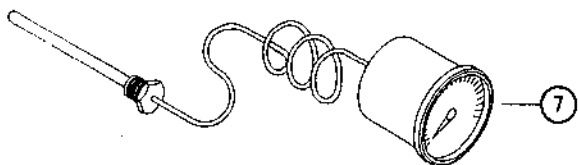
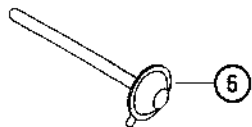
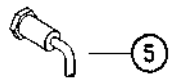
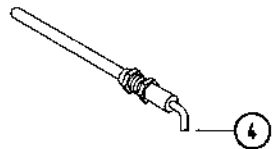
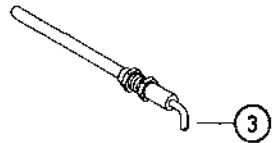
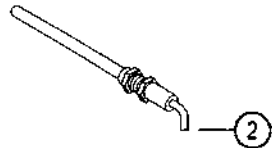
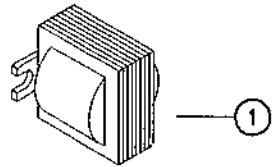
646.656.657  
TYPE  
746.756.757

MONITORING AND INFRARED SENSOR

230V 50Hz

Page

9-21.0



Type		Spare Parts List		Page
646,656,657, 746,756,757		Monitoring and Infrared Sensor		9-21.1
		230V 50Hz		
Pos.	Part No.	Part Name	Description	Quant.
1	136 009	Transformer, Ignition, until Dez. 95 (Type 746, 756)	TGI 5/15 220V	1
	136 026	Transformer, Ignition, from Jan. 96 (Type 746, 756)	ZE30/7 ENR 4041661-230V	1
	136 009	Transformer, Ignition, until Dez. 95 (Type 757)	TGI 5/15 220V	2
	136 026	Transformer, Ignition, from Jan. 96 (Type 757)	ZE30/7 ENR 4041661-230V	2
2	135 007	Thermostat	0-200°C	1
3	135 008	Thermostat	0-300°C	2
4	227 465-3	Feeler, Temperature	KD PT 100	1
5	136 415	Switch, Proximity, Inductive	IIA-2010-FRKG PNP-NPN	1
6	136 345	Feeler, Temperature, Inlet Temperature	PT 100	1
7	135 028	Limiter, Temperature	1 B 1560	1
8	270 565-4	Bracket for Infrared Sensor		1
9	136 366	Infrared Sensor		1
10	007 486	Cable, Spiral		1
11	137 015	Box, Cable		1
12	137 871	Coupling		2

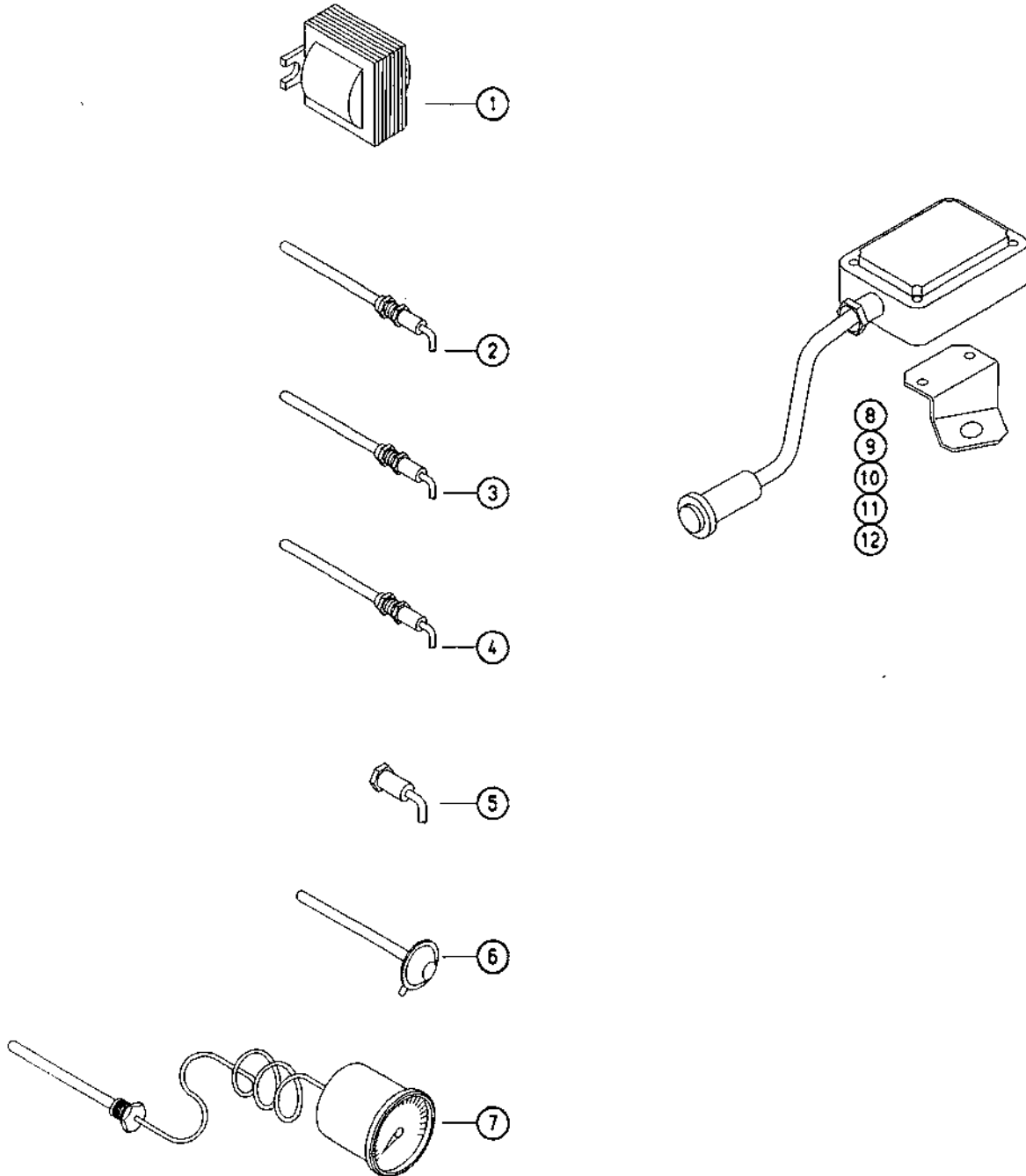
646.656.657  
TYPE  
746.756.757

MONITORING AND INFRARED SENSOR

115V 60Hz

Page

9-22.0



Type		Spare Parts List		Page
646,656,657, 746,756,757		Monitoring and Infrared Sensor 115V 60Hz		9-22.1
Pos.	Part No.	Part Name	Description	Quant.
1	136 010	Transformer, Ignition, repl. 136 014	(Type 746,756) TGI 5/15 110V	1
	136 014	Transformer, Ignition		1
	136 010	Transformer, Ignition, repl. 136 014	(Type 757) TGI 5/15 110V	2
	136 014	Transformer, Ignition		2
2	135 007	Thermostat	0-200°C	1
3	135 008	Thermostat	(Type 746,756) 0-300°C	3
	135 008	Thermostat	(Type 757) 0-300°C	4
4	227 465-3	Feeler, Temperature	KD PT 100	1
5	136 415	Switch, Proximity, Inductive	I/A-2010-FRKG PNP-NPN	1
6	136 345	Feeler, Temperature, Inlet Temperature	PT 100	1
7	135 028	Limiter, Temperature	1 B 1560	1
8	270 565-4	Bracket for Infrared Sensor		1
9	136 366	Sensor, Infrared		1
10	007 486	Cable, Spiral		1
11	137 015	Box, Cable		1
12	137 871	Coupling		2

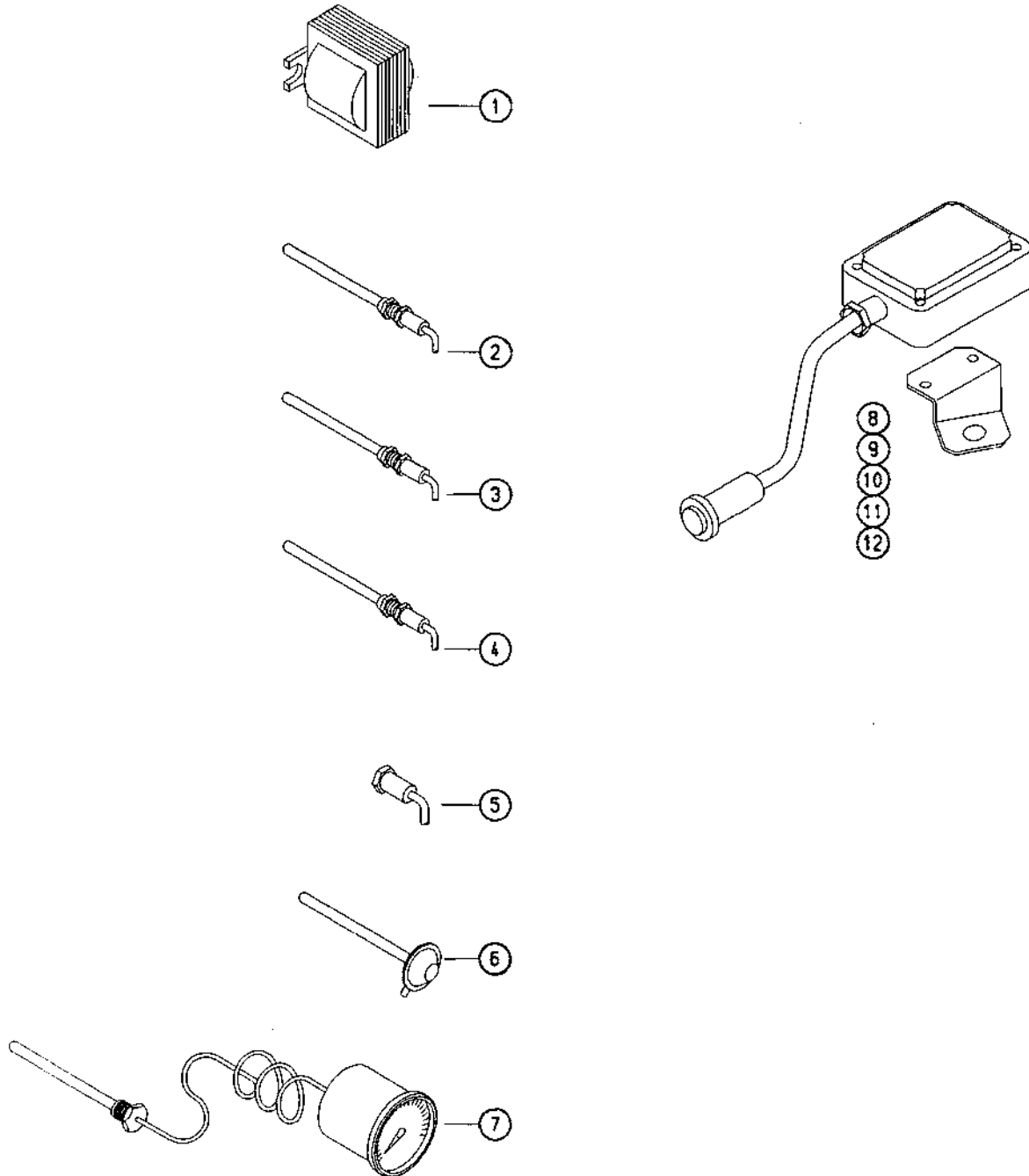
646.656.657  
TYPE  
746.756.757

MONITORING AND INFRARED SENSOR

115V 60Hz USA AND CANADA

Blatt

9-23.0





Type		Spare Parts List		Page
646,656,657, 746,756,757		Monitoring and Infrared Sensor 115V 60Hz USA and Canada		9-23.1
Pos.	Part No.	Part Name	Description	Quant.
1	136 207	Transformer, Ignition (Type 746,756) Allerson, repl. 136 014	F/CAT No.1092 6000V	1
	136 014	Transformer, Ignition (Type 746,756)		1
	136 207	Transformer, Ignition (Type 757) Allerson, repl. 136 014		2
	136 014	Transformer, Ignition (Type 757)	F/CAT No. 1092 6000V	2
2	135 007	Thermostat	0-200°C	1
3	135 008	Thermostat (Type 746,756)	0-300°C	3
	135 008	Thermostat (Type 757)	0-300°C	4
4	227 465-3	Feeler, Temperature KD	PT 100	1
5	136 416	Switch, Proximity, Inductive	I/A-2010-FRKG PNP-NPN	1
6	136 345	Feeler, Temperature, Inlet Temperature	PT 100	1
7	135 028	Limiter, Temperature	1 B 1560	1
8	270 565-4	Bracket for Infrared Sensor		1
9	136 366	Sensor, Infrared		1
10	007 486	Cable, Spiral		1
11	137 015	Box, Cable		1
12	137 871	Coupling		2