

LAVATEC

Laundry Technology GmbH

SPARE PARTS LIST

L A V A Z E T - MODELLE

LZ 285



**Serial N°
Wiring diagram**

LAVATEC
Laundry Technology GmbH
Wannenäckerstraße 53
D – 74078 Heilbronn
Telefon 0 71 31 / 29 80
www.lavatec-laundry.com

ET-LZ281-V13.01.16-GB

9. SPARE PARTS LIST

ORDERING SPARE PARTS

When ordering spare parts, please include the following information with your order:

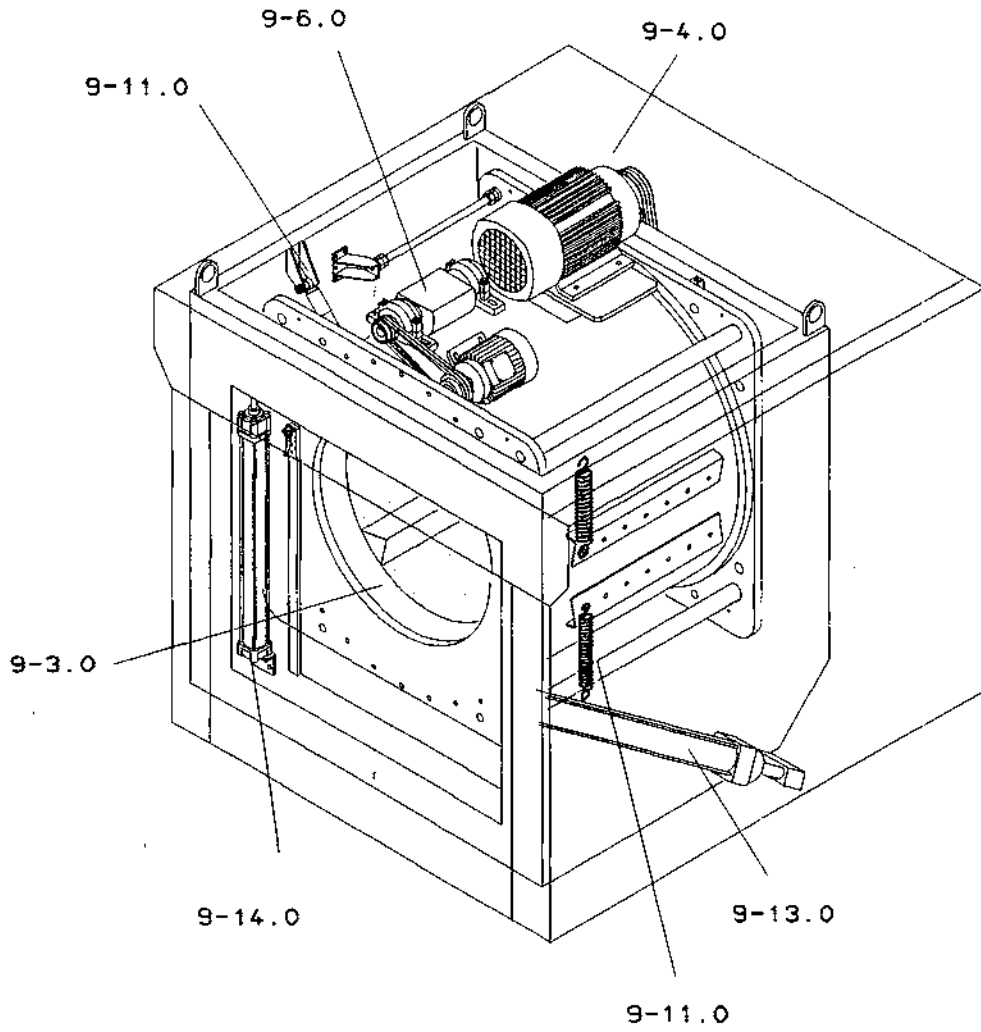
1. Model and serial number of the equipment (located on the name plate).
2. Part number, part name, and quantity required. Use the manual to facilitate ordering.
3. When ordering electrical motors please include complete name plate data, motor manufacturer, and wiring diagram number.

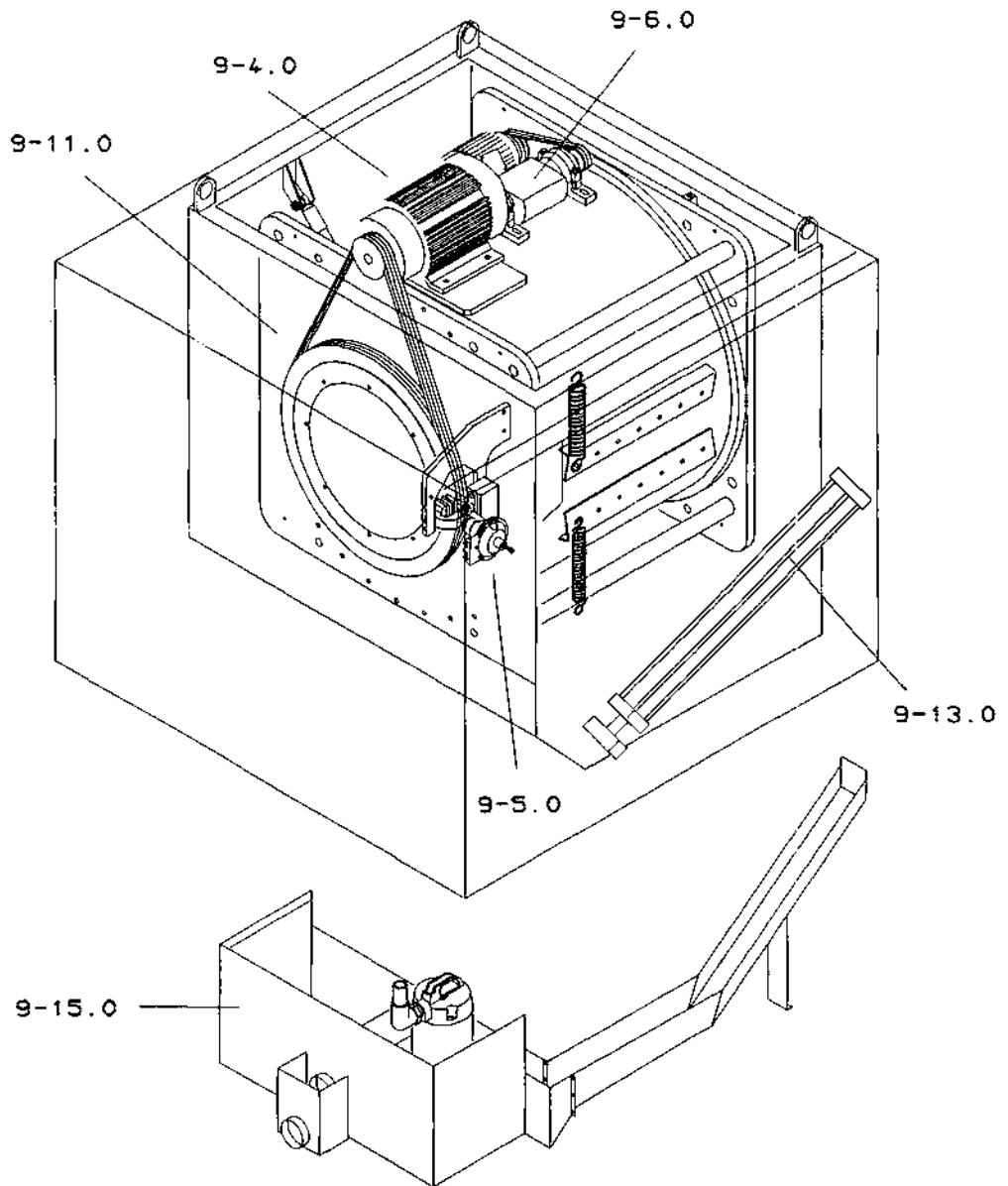
Our service and service parts department is staffed with specially trained personnel to assist you with your needs. Please do not hesitate to call if we can be of any assistance.

SUBJECT TO CHANGES WITHOUT NOTIFICATION

9-0.1 CONTENTS

	Page
Overview loading side	9-1.0
Overview rear	9-2.0
Main bearing assembly	9-3.0
Drum drive	9-4.0
Pneumatic Brake system	9-5.0
Unbalance drive system	9-6.0
Support	9-7.0
Slide with monitoring	9-8.0
Flap axial conveyor, flap loading conveyor left/right	9-9.0
Unloading conveyor 2400	9-10.0
Drum housing	9-11.0
Unbalance switch	9-12.0
Tilt cylinder	9-13.0
Loading door	9-14.0
Water system	9-15.0
Pneumatic system until May 2010	9-16.0
Free	9-17.0
Free	9-18.0
Free	9-19.0
Free	9-20.0
Free	9-21.0
Free	9-22.0
Free	9-23.0
Lateral panels	9-24.0
Cover panels rear	9-25.0
Pneumatic system from June 2010	9-26.0



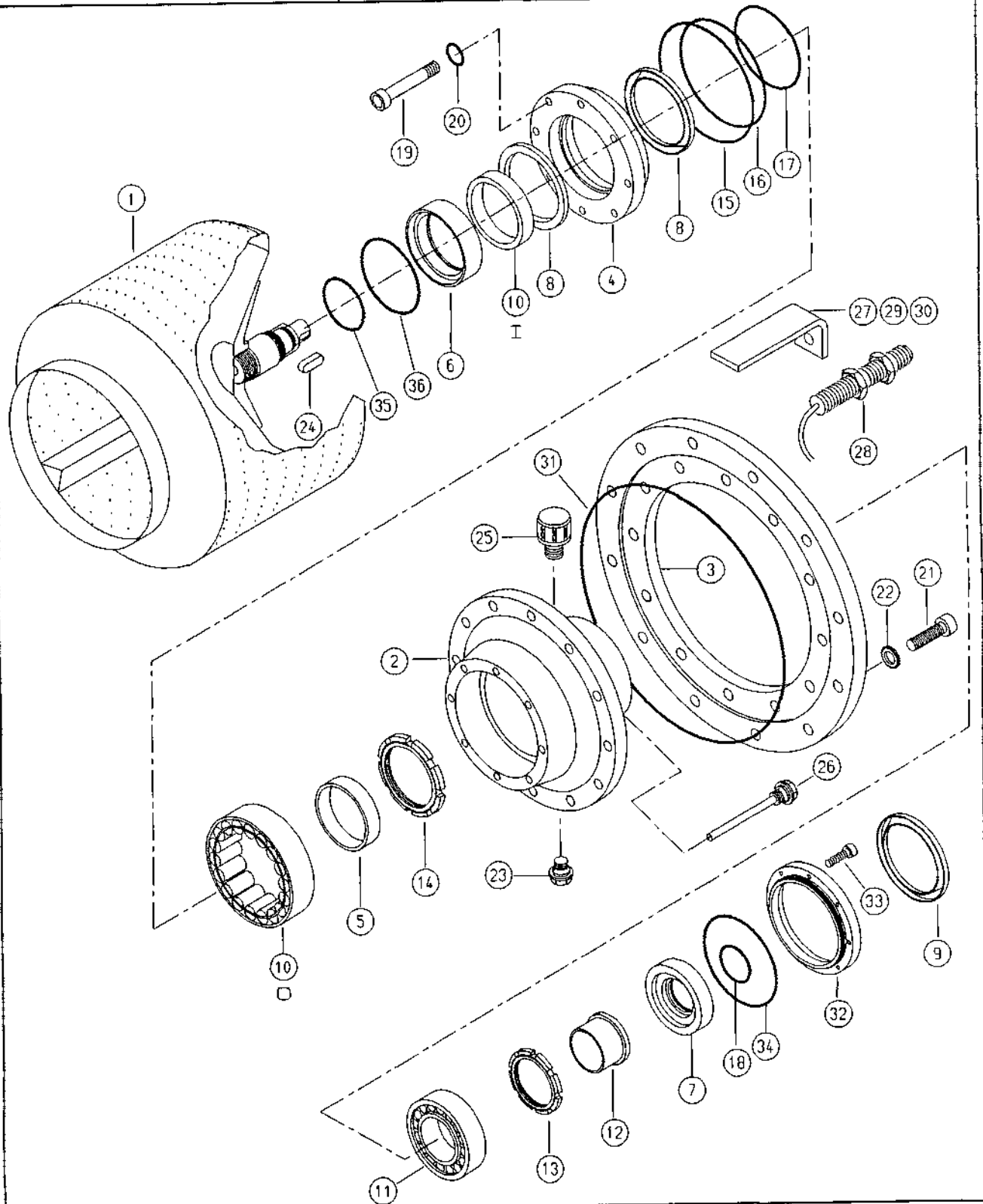


TYPE LZ285

MAIN BEARING ASSEMBLY

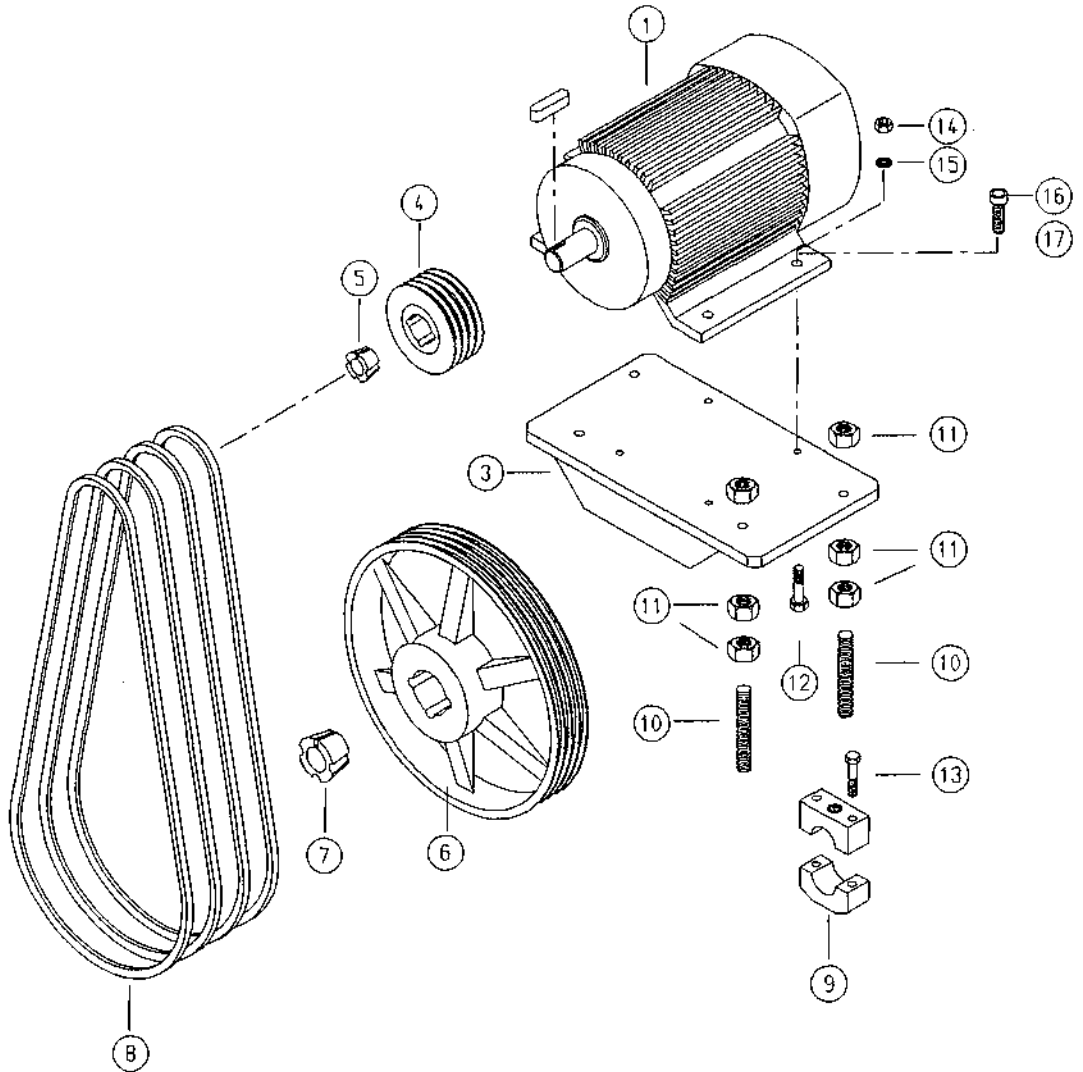
Page

9-3.0

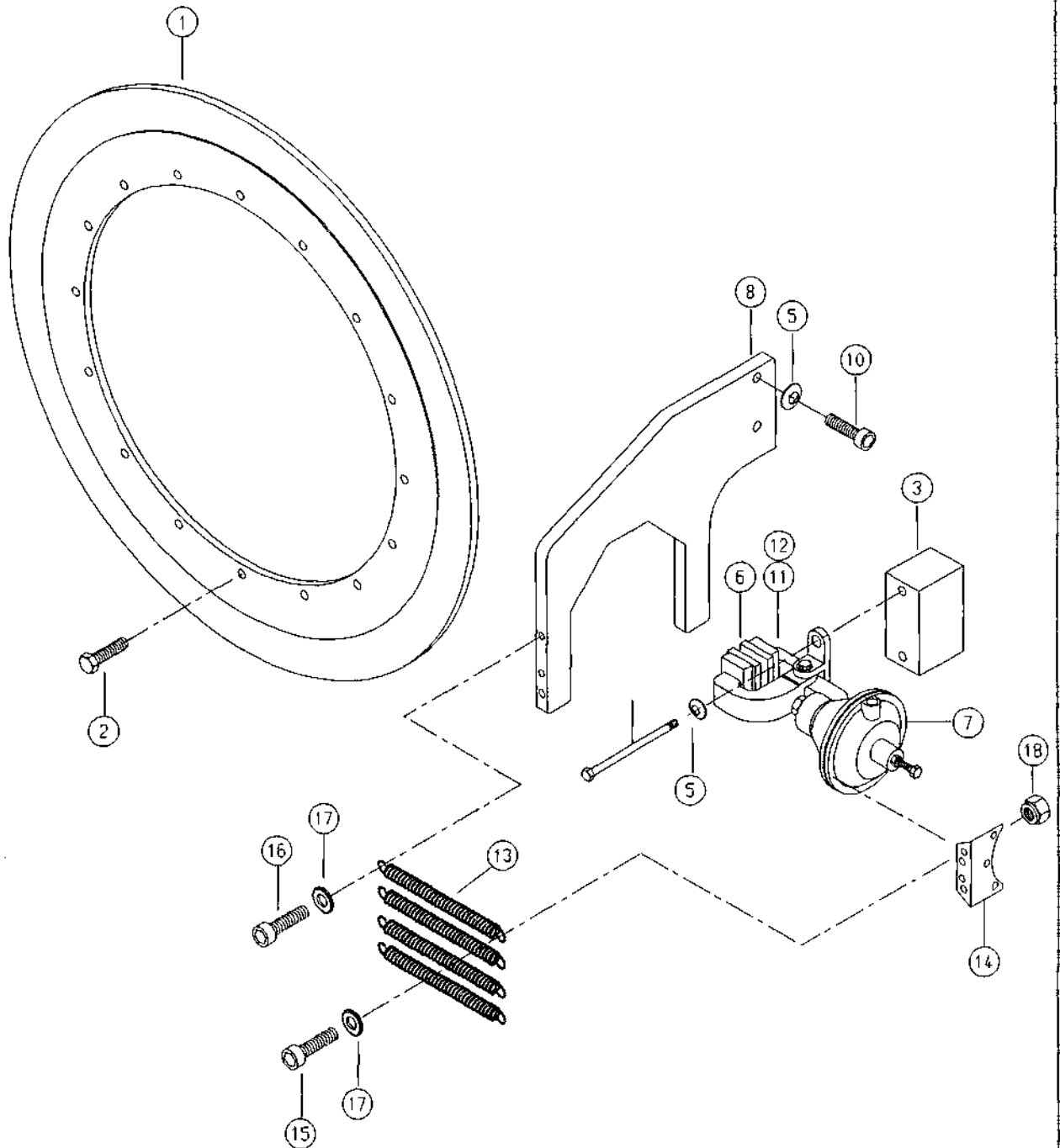


Type		Spare Parts List			Page
LZ 285		Main Bearing Assembly			9-3.1
Pos.	Part No.	Part Name	Description	Quant.	
1	232 308-1	Drum		1	
2	232 782-1	Housing, Bearing		1	
3	232 302-3	Flange, Bearing		1	
4	232 303-3	Cover, Bearing		1	
5	232 304-4	Spacer	D180xd160x36	1	
6	232 769-4	Ring, Seal Repl. for 232 016-4		1	
7	232 773-4	Ring, Seal Repl. for 232 017-4		1	
8	028 253	Seal, Shaft	200x230x15	2	
9	028 255	Seal, Shaft	180x215x15	1	
10	100 183	Bearing, Roller	NU2232E	1	
11	100 184	Bearing, Roller self align.	23224 cck	1	
12	100 185	Sleeve	AHX 3224	1	
13	100 186	Nut, Shaft	KM 27	1	
14	232 794-4	Nut, Shaft	M190x28	1	
15	005 765	Seal, Round	3 mmx1,1 Mtr.	1	
16	028 257	O-Ring, Repl. 005 770	230x3	1	
	005 770	Seal, Round	3mmx0,9 Mtr.	1	
17	028 258	O-Ring, Repl. 005 763	160x3	1	
	005 763	Seal, Round	4mmx0,7 Mtr.	1	
18	028 259	O-Ring	90x3	1	
19	020 164	Bolt, Allen	DIN 912 M10x40	8	

Type		Spare Parts List			Page
LZ 285		Main Bearing Assembly			9-3.2
Pos.	Part No.	Part Name	Description	Quant.	
20	028 146	Ring, Usit	U12,7-18-1,5	8	
21	020 984	Bolt, Allen	DIN 912 M24x70	24	
22	021 110	Washer, Tension	DIN 6796 24	24	
23	112 290	Screw, Plug	VSTI 1/8-ED	1	
24	103 393	Key	25x14x80	1	
25	125 054	Screw, Breather	GN552-G1/4-A-2	1	
26	232 831-4	Dipstick		1	
27	232 536-4	Bracket, Limit Switch		1	
28	136 412	Switch, Proximity	PNP M8	1	
29	020 002	Bolt, Allen	DIN 912 M6x16	2	
30	020 046	Washer	DIN 125 A6,4	2	
31	028 291	O-Ring	555x10	1	
32	232 765-2	Cover, Drive Bearing		1	
33	020 075	Bolt, Allen	DIN 912 M8x30	8	
34	028 152	O-Ring	203x3	1	
35	005 765	Seal, Round	3mmx0,9 Mtr.	1	
36	005 770	Seal, Round, Repl. 028 258	2 mm	1	
	028 258	O-Ring	160x3	1	
37					
38	008 118	Oil, Lubricating	EP 68	a.r.	



Type		Spare Parts List		Page
LZ 285		Drum Drive		9-4.1
Pos.	Part No.	Part Name	Description	Quant.
1		Motor with steel mount	Ind. voltage and frequency.	1
2				
3	232 347-3	Bracket, Motor		1
4	103 396	Pulley	DW200 4 gr.	1
5	103 397	Taper Lock	DIN 6885 D55	1
6	232 320-2	Pulley	DW630 4 gr.	1
7	103 395	Taper Lock	DIN 6885 D90	1
8	103 398	Pulley, valid only for serial no. 2850101, 2850102, 2850105, 2850106, 2850107	LW 3182	4
	103 447	Pulley, valid only for serial no. 2850103, 2850104, and from 2850108,	LW 3282	4
9	232 350-4	Clamp		4
10	232 838-4	Bar, Thread	DIN 975 M20x145	6
11	020 255	Nut, Hex	DIN 934 M20	12
12	020 733	Bolt, Hex	DIN 931 M16x70	4
13	020 978	Bolt, Hex	DIN 931 M12x75	4
14	020 040	Nut, Hex	DIN 934 M16	4
15	020 054	Washer	DIN 125 B17	4
16	231 144-4	Mount, Steel		2
17	020 153	Bolt, Allen	M12x80	4



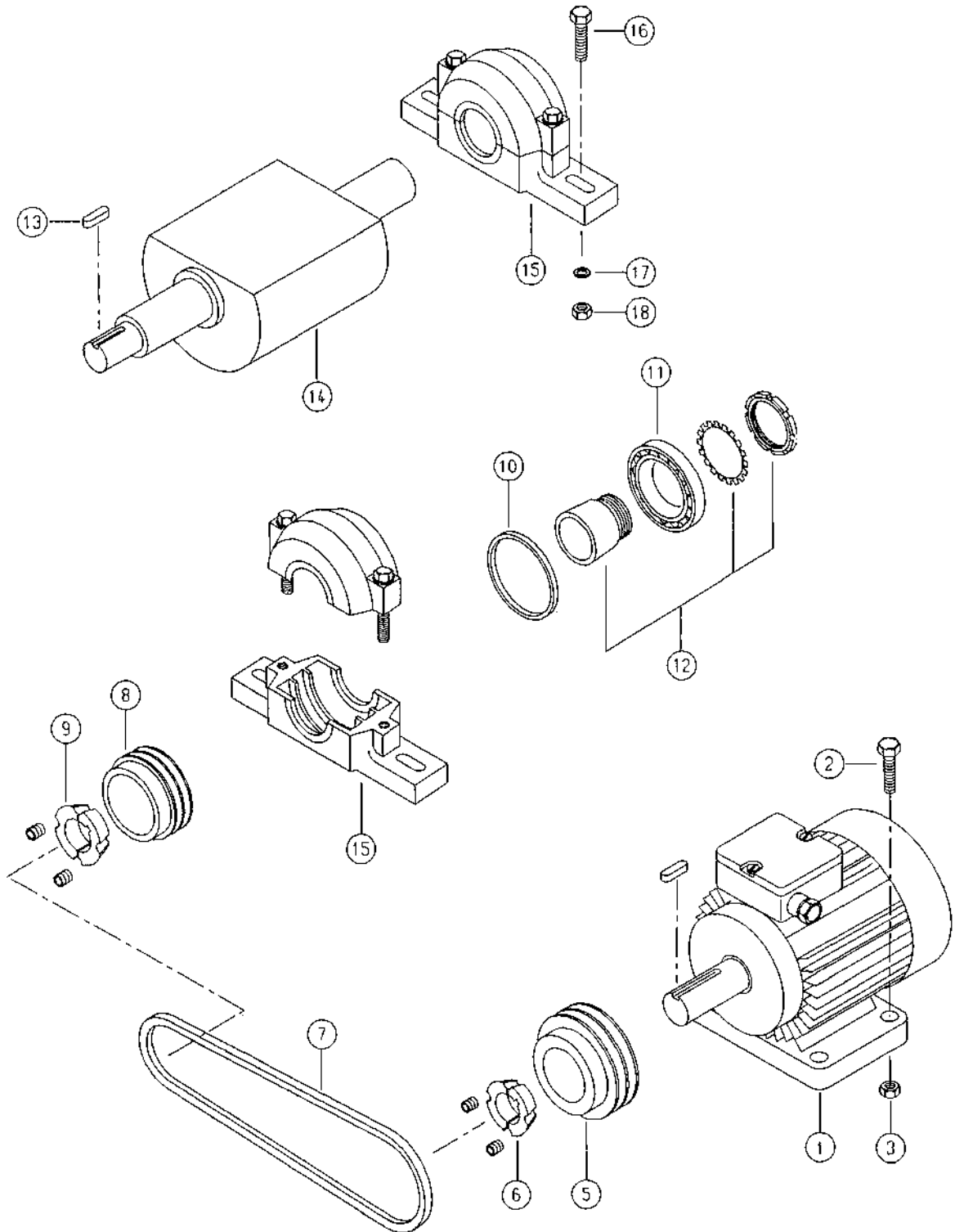
Type		Spare Parts List			Page
LZ 285		Pneumatic Brake System			9-5.1
Pos.	Part No.	Part Name	Description	Quant.	
1	232 321-4	Disc, Brake		1	
2	020 019	Bolt, Allen	DIN 912 M12x20	16	
3	232 439-4	Spacer, Brake		2	
4	021 011	Bolt, Hex	DIN 931 M12x200	4	
5	020 134	Washer, Tension	DIN 6796 12	4	
6	107 287	Pad, Friction Repl. 107 297		1	
	107 297	Pad, Friction		1	
7	111 495	Caliper, Brake		2	
8	232 441-4	Bracket, Limit		2	
9					
10	020 011	Bolt, Allen	DIN 912 M12x40	4	
11	020 906	Screw, Set	DIN 914 M8x40	4	
12	020 037	Nut, Hex	DIN 934 M8	4	
13	027 057	Spring, Tension		8	
14	232 602-4	Bracket, Spring		2	
15	020 473	Bolt, Allen	DIN 912 M5x16	4	
16	020 942	Bolt, Allen	DIN 912 M5x12	2	
17	020 284	Washer	DIN 125 5,3	6	
18	020 682	Nut, Hex self-locking	DIN 980 M5	4	

TYPE LZ285

UNBALANCE DRIVE SYSTEM

Page

9-6.0



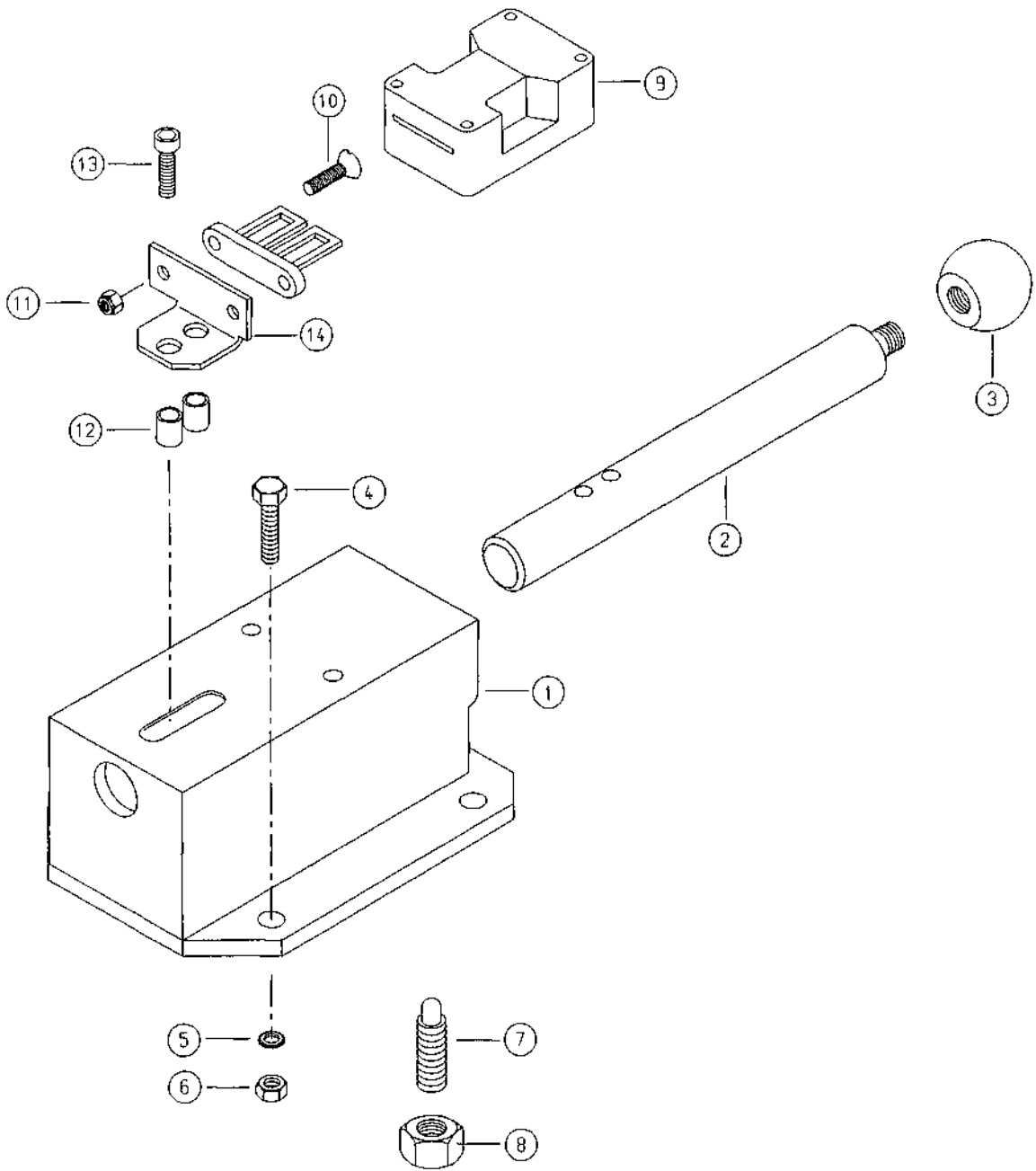
Type		Spare Parts List			Page
LZ 285		Unbalance Drive System			9-6.1
Pos.	Part No.	Part Name	Description	Quant.	
1		Motor	Ind. voltage and frequency.	1	
2	020 366	Bolt, Hex	DIN 933 M8x40	4	
3	020 037	Nut, Hex	DIN 934 M8	4	
4					
5	103 440	Pulley	80/2-gr. SPZ	1	
6	103 088	Taper Lock	1210/24	1	
7	103 438	Pulley	SPZ 750	2	
8	103 283	Pulley	75/2-gr. SPZ	1	
9	103 088	Taper Lock	1210/24	1	
10	100 025	Spacer	ZU SNH 509	4	
11	100 023	Bearing, Roller self align.	22209 CCK	2	
12	100 024	Sleeve compl.	H 309	2	
13	103 200	Key	8x7x25	1	
14	232 039-3	Shaft, Unbalance		1	
15	100 145	Housing, Bearing	SNA 509	2	
16	020 112	Bolt, Hex	DIN 933	4	
17	020 039	Washer	DIN 125	4	
18	020 134	Nut, Hex	DIN 980	4	

TYPE LZ285

SUPPORT

Page

9-7.0



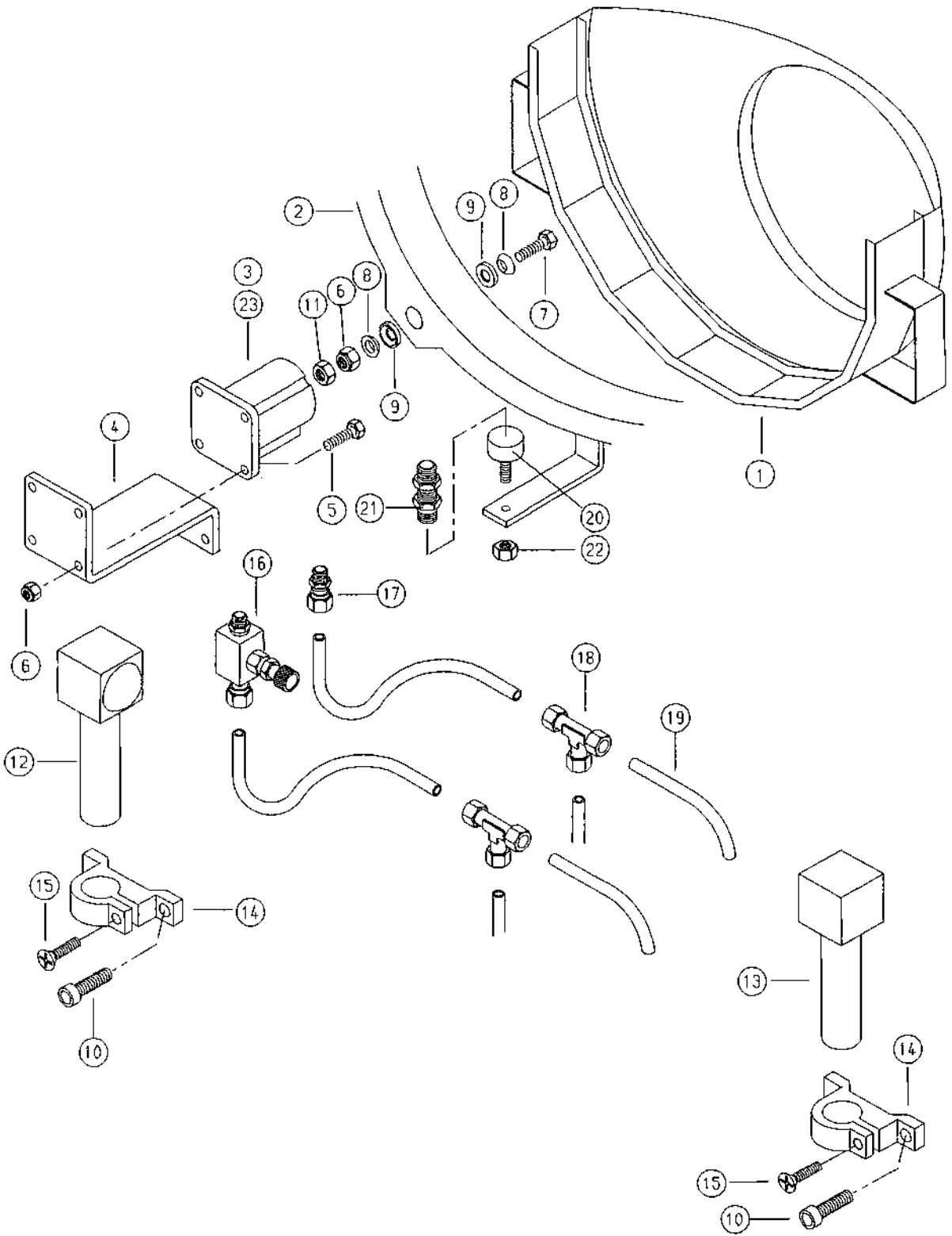
Type		Spare Parts List			Page
LZ 285		Support			9-7.1
Pos.	Part No.	Part Name	Description	Quant.	
1	232 586-2	Housing		1	
2	232 592-3	Bolt		1	
3	125 052	Ball		1	
4	020 104	Bolt, Hex	DIN 933 M10x35	4	
5	020 052	Washer	DIN 125 B10,5	4	
6	020 274	Nut, Hex	DIN 980 M10	4	
7	020 800	Pin, Locking	M12	1	
8	020 360	Nut, Hex	DIN 934 M12	2	
9	135 483	Switch		1	
10	020 167	Screw CS	M4x16	2	
11	020 832	Nut, Hex	DIN 980 M4	2	
12	211 953-4	Sleeve		2	
13	020 003	Bolt, Allen	DIN 912 M6x20	2	
14	211 951-4	Bracket, Tongue		1	

TYPE LZ285

SLIDE WITH MONITORING

Page

9-8.0



Type		Spare Parts List		Page
LZ 285		Slide with Monitoring		9-8.1
Pos.	Part No.	Part Name	Description	Quant.
1		Slide 50 kg	Ind. serial no.	1
2	232 654-2	Ring, Adapter LZ 285		1
3	112 203	Cylinder	AYD-32-25	2
4	232 548-4	Bracket, Cylinder		2
5	020 349	Bolt, Hex	DIN 933 M6x16 A2	4
6	020 829	Nut, Hex	DIN 980 M6 A2	10
7	020 272	Bolt, Hex	DIN 933 M6x40 A2	2
8	021 022	Washer, Spherical	DIN 6319 6,4 Form C	4
9	021 023	Washer, Spherical	DIN 6319 6,4 Form G	4
10	020 473	Bolt, Allen	DIN 912 M5x16	4
11	020 031	Nut, Hex	DIN 933 M6 A2	2
12	135 843	Transmitter, Photocell		1
13	135 844	Receiver, Photocell		1
14	135 848	Bracket		2
15	020 199	Screw CS	DIN 965 M4x20 A2	2
16	112 164	Throttle		2
17	112 166	Fitting		2
18	112 298	Fitting-T		2
19	006 050	Hose PVC		
20	135 473	Magnet		1

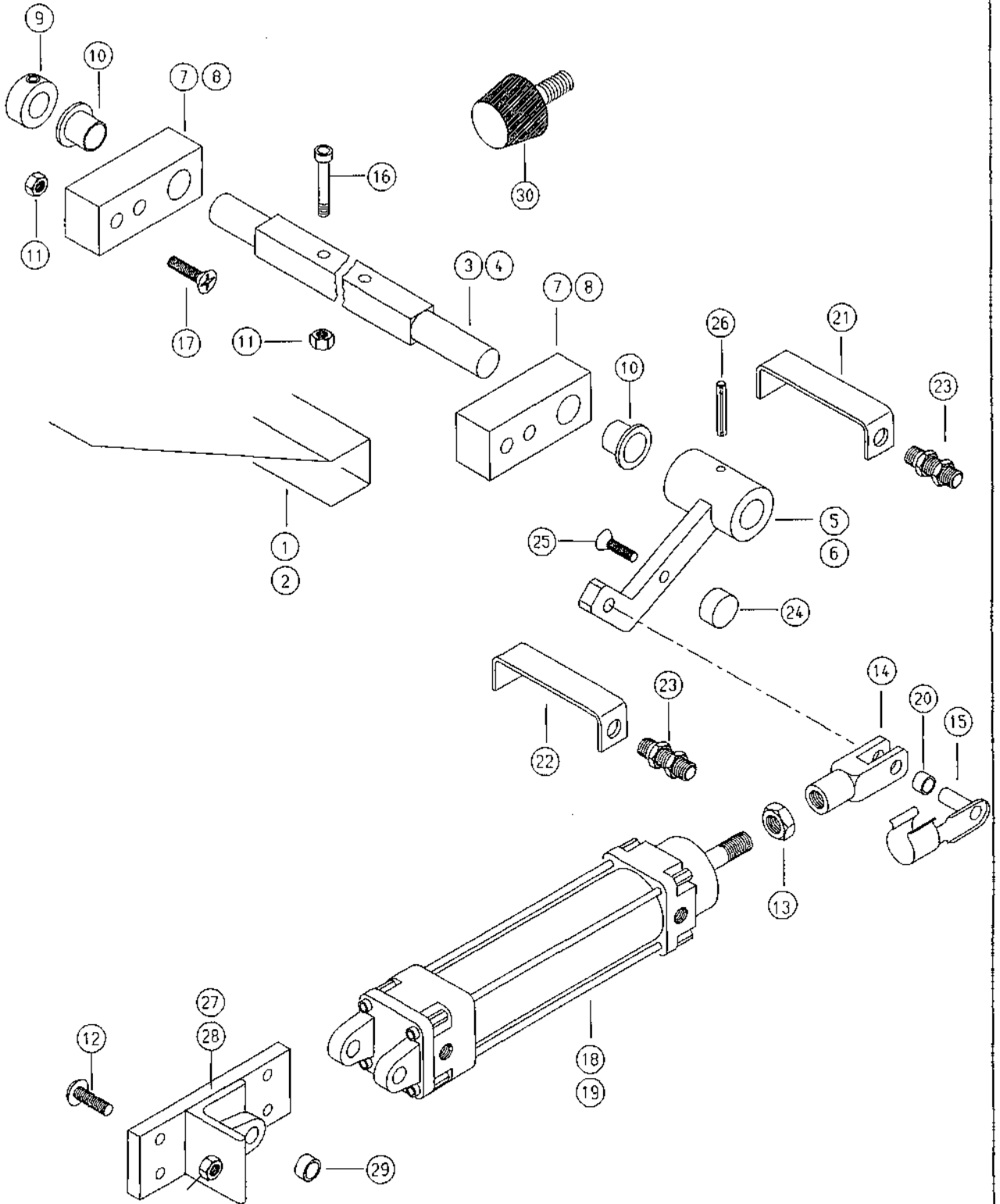
Type		Spare Parts List			Page
LZ 285		Slide with Monitoring			9-8.2
Pos.	Part No.	Part Name	Description	Quant.	
21	135 472	Switch, Magnetic		1	
22	020 030	Nut, Hex	DIN 934 M4 A2	1	
23		Repair kit for Cylinder Pos. 3		1	

TYPE LZ285

FLAP AXIAL LOADING CONVEYOR
FLAP LOADING CONVEYOR LEFT/RIGHT

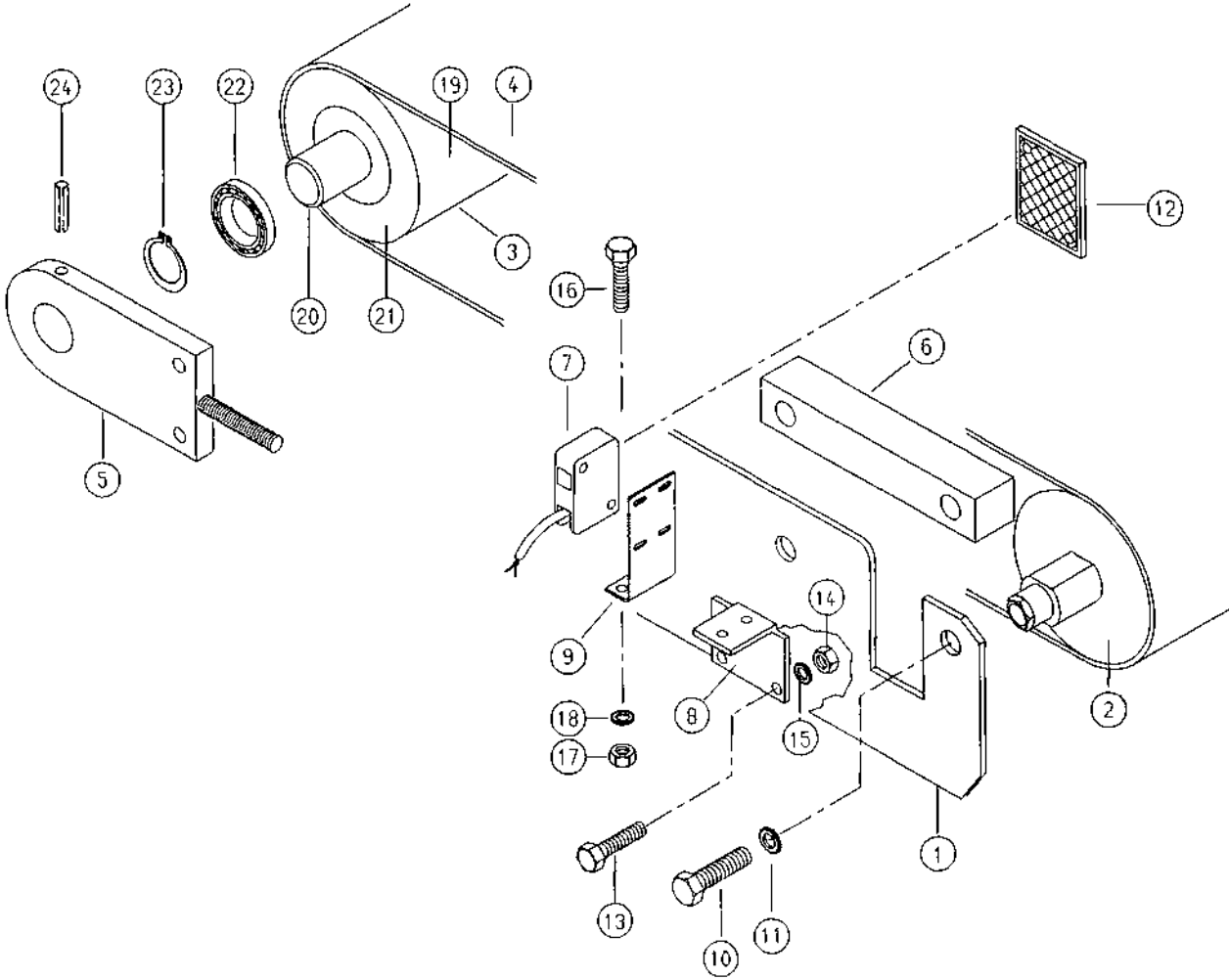
Page

9-9.0



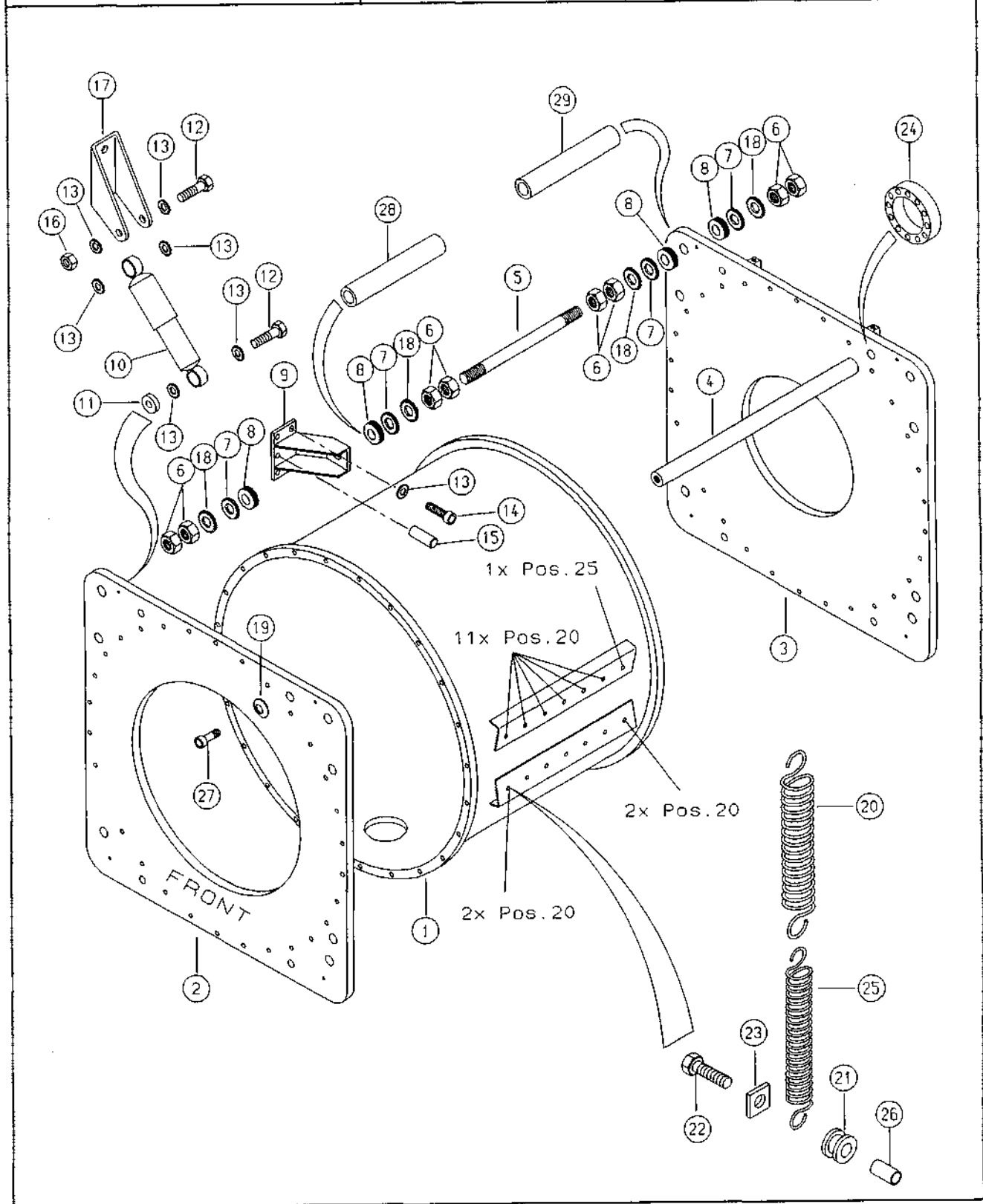
Type LZ 285		Spare Parts List Flap Axial Loading Conveyor Flap Loading Conveyor Left/Right			Page 9-9.1
Pos.	Part No.	Part Name	Description	Quant.	
1	232 677-2	Flap Left Version		1	
2	232 752-2	Flap Axial Version		1	
3	232 679-3	Shaft for Flap Left Version		1	
4	232 231-3	Shaft for Flap Axial Version		1	
5	232 672-3	Lever for Flap Left Version		1	
6	232 232-3	Lever for Flap Axial Version		1	
7	232 538-4	Bracket, Bearing Left Version		2	
8	232 889-4	Bracket, Bearing Axial Version		2	
9	025 067	Collar	DIN 705 A 25	1	
10	100 046	Bushing, Glycodur	25x28x21,5	2	
11	020 470	Nut, Hex self-locking	DIN 985 M8	12	
12	020 072	Bolt, Carriage	DIN 603 M8x30	4	
13	020 290	Nut, Hex	DIN 936 M16	1	
14	020 190	Clevis	DIN 71752 G16x32	1	
15	020 191	Bolt	16x32	1	
16	020 427	Bolt, Allen	DIN 912 M8x50	1	
17	020 072	Bolt, Carriage	DIN 603 M8x30	5	
18	112 283	Cylinder, Pneumatic	DN50-200	1	
19		Repair kit for Cylinder Pos. 18		1	
20	100 037	Bushing, Glycodur	16x18x15	1	

Type LZ 285		Spare Parts List Flap Axial Loading Conveyor Flap Loading Conveyor Left/Right		Page 9-9.2
Pos.	Part No.	Part Name	Description	Quant.
21	232 733-4	Bracket, Limit Switch Up		1
22	232 734-4	Bracket, Limit Switch Down		1
23	135 472	Switch, Magnetic		2
24	136 402	Magnet	22x11	1
25	020 028	Screw CS	DIN 963 M4x16 A2	1
26	020 141	Pin, Roll	ISO 8752 6x60	1
27	232 731-4	Bracket, Cylinder for Cylinder Axial Version		1
28	232 682-4	Bracket, Cylinder for Cylinder L/R Version		1
29	100 072	Bushing, Glycodur	12x14x15	1
30	032 017	Bumper, Conical	M10x25	2



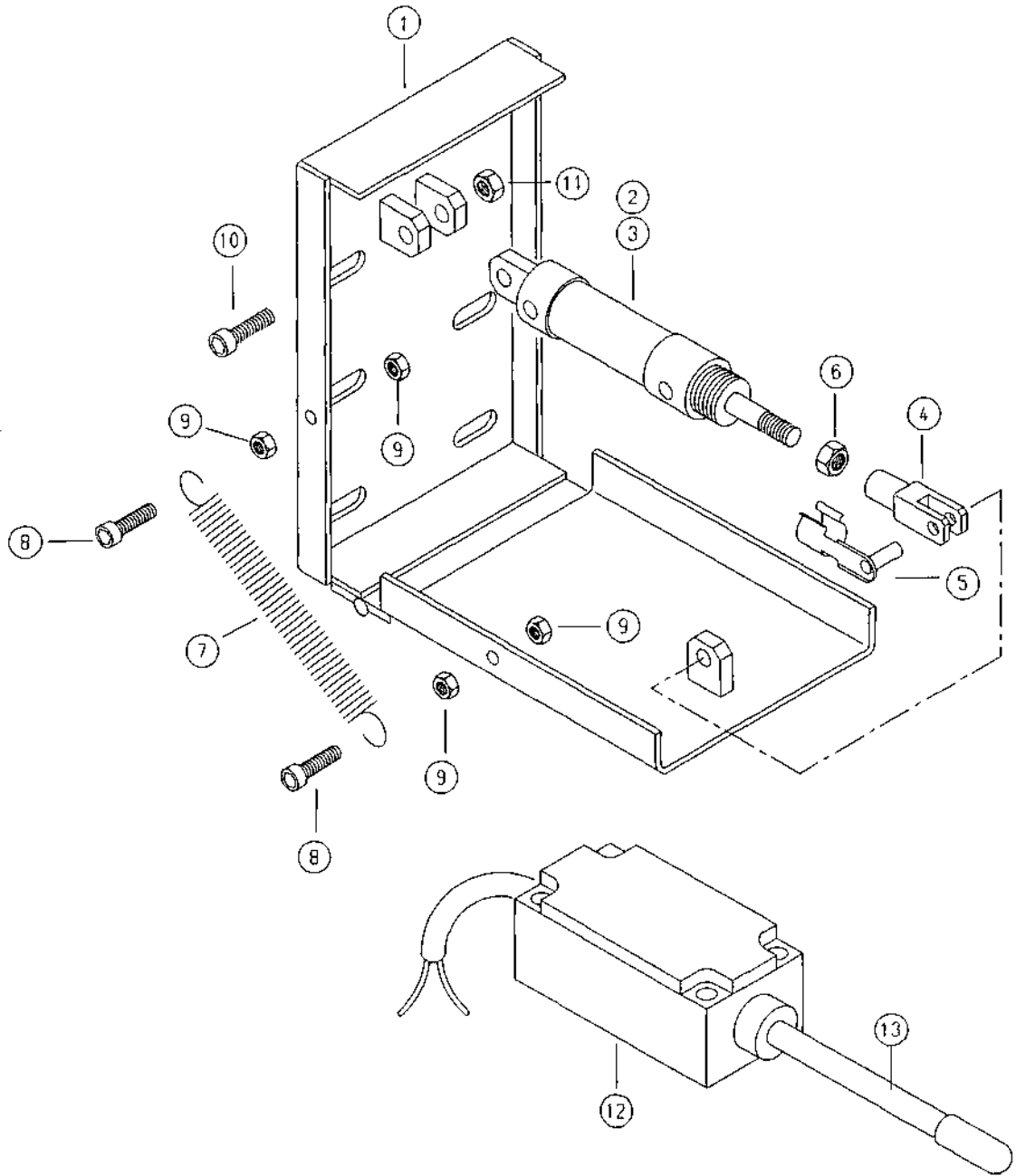
Type		Spare Parts List			Page
LZ 285		Unloading Conveyor 2400			9-10.1
Pos.	Part No.	Part Name	Description	Quant.	
1	232 744-1	Frame, Conveyor		1	
2		Roll, drive compl. (Drum Motor)	Ind. voltage and frequency.	1	
3	247 085-3	Roll compl.		1	
4	122 067	Belt, Conveyor	1000x5090	1	
5	247 088-4	Bracket, Tension, replacement 247 090-3		2	
	247 090-3	Bracket, Tension		2	
6	245 006-4	Bracket		2	
7	136 933	Screen, Light	Reflex XUL-M06031	1	
8	245 182-4	Bracket		1	
9	245 134-4	Bracket		1	
10	020 105	Bolt, Hex	DIN 933 M6x16	2	
11	020 713	Washer, Tension	DIN 6796 10	2	
12	135 849	Reflector		1	
13	020 117	Bolt, Hex	DIN 933 M6x16	2	
14	020 036	Nut, Hex	DIN 936 M6	2	
15	020 523	Washer, Tension	DIN 6796 6	2	
16	020 156	Bolt, Hex	DIN 933 M4x12	2	
17	020 034	Nut, Hex	DIN 934 M4	2	
18	020 049	Washer	DIN 125 4	2	
19	247 086-4	Tube, Idler Roll	80x5x976	1	
20	247 087-4	Shaft	D25x1065	1	

Type		Spare Parts List			Page
LZ 285		Unloading Conveyor 2400			9-10.2
Pos.	Part No.	Part Name	Description	Quant.	
21	211 486-4	Bushing	Delrin round	2	
22	100 032	Bearing, Ball	6205 2RS SS	2	
23	025 002	Ring, Snap	DIN 471A 25x1,2 SS	2	
24	020 141	Pin, Roll	DIN 1481 6x60	2	



Type		Spare Parts List		Page
LZ 285		Drum Housing		9-11.1
Pos.	Part No.	Part Name	Description	Quant.
1	232 327-1	Drum		1
2	232 322-2	Wall, Front		1
3	232 347-3	Wall, Rear		1
4	232 950-4	Bar, Tension		4
5	232 368-4	Bar, Thread	M24x1100	4
6	020 256	Nut, Hex	DIN 934 M24	24
7	232 366-4	Cup, Taper		16
8	232 365-4	Bumper, Rubber	Type 285	16
9	232 359-3	Bracket, Vibration Damper		4
10	112 127	Absorber, Shock	5U26-1-0390-27-105-0	12
11	232 284-4	Spacer		8
12	020 025	Bolt, Hex	DIN 931 M12x70	16
13	020 134	Washer, Tension	DIN6796 12-FST	32
14	021 079	Bolt, Allen	DIN 912 M12x30 12.9	24
15	021 076	Pin, Roll	DIN 7348 8x30	8
16	020 254	Nut, Hex	DIN 985 M12	8
17	232 906-3	Bracket, Shock Absorber		4
18	020 959	Washer	DIN 125 A24	16
19	020 992	Washer, Tension	DIN 6796 36	8
20	027 058-4	Spring, Tension 9mm, Replac. 231 372-4	D68,3x14,5W	30
	231 372-4	Spring, Tension 9mm		30

Type		Spare Parts List		Page
LZ 285		Drum Housing		9-11.2
Pos.	Part No.	Part Name	Description	Quant.
21	232 032-4	Grommet, Spring	Type 285	64
22	020 104	Nut, Hex	DIN 933 M10x35	64
23	232 123-4	Tab, Safety		64
24	103 441	Element, Tension	4000-050-080	4
25	027 068-4	Spring, Tension 10mm, Replac. 231 373-4		2
	231 373-4	Spring, Tension 10mm		2
26	232 122-4	Bushing		64
27	231 166-4	Bolt, Allen	DIN 912 M36x110	4
28	232 802-4	Spacer, Front		4
29	232 367-4	Spacer, Rear		4



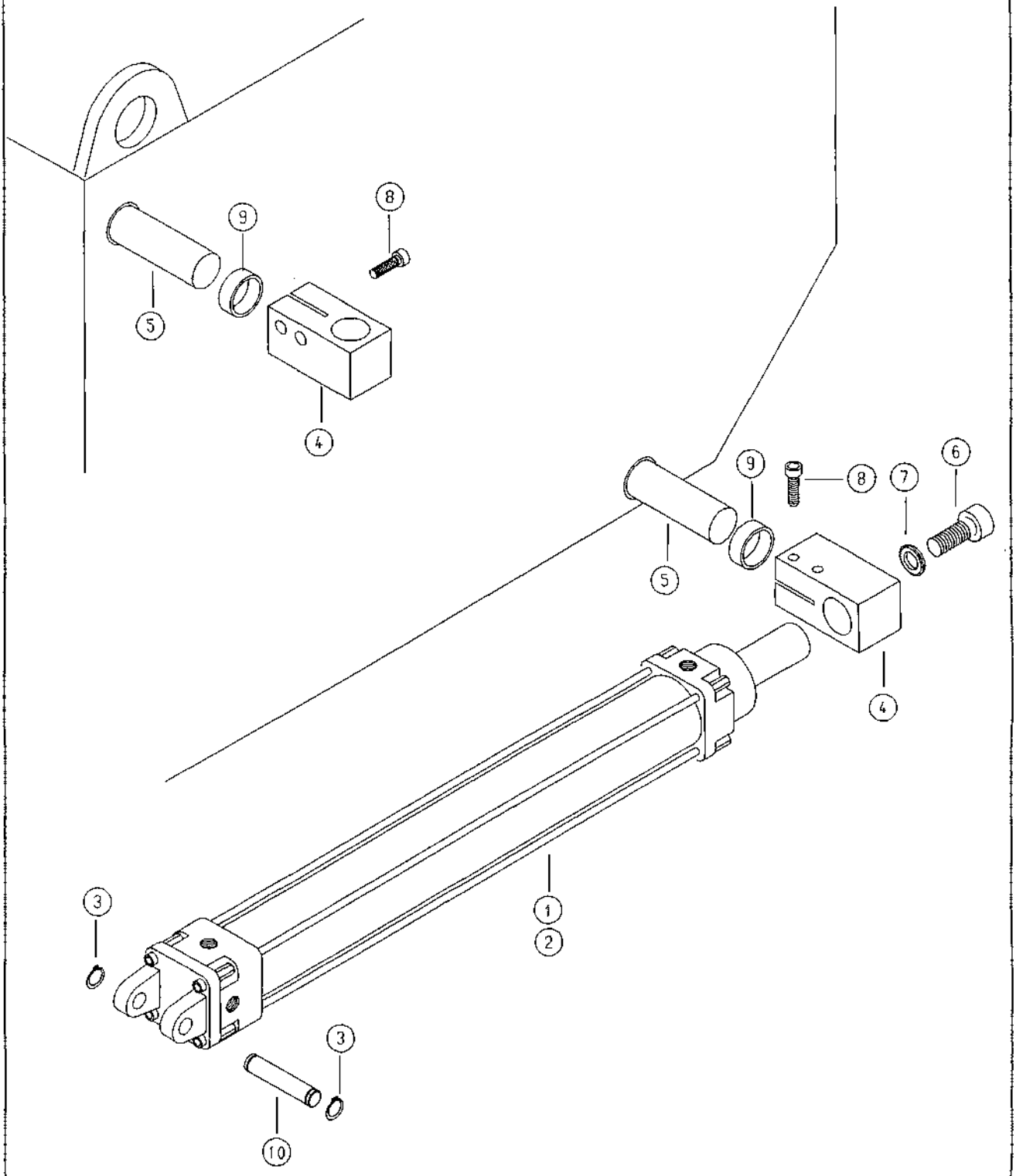
Type		Spare Parts List		Page
LZ 285		Unbalance Switch		9-12.1
Pos.	Part No.	Part Name	Description	Quant.
1	232 800-2	Frame, Flip		1
2	112 297	Cylinder, Pneumatic	DN 25x20	1
3	112 358	Repair Kit for Cylinder Pos. 2		
4	021 077	Clevis	DIN 71752 20x20x52	1
5	020 130	Bolt	D10x20	1
6	021 080	Nut, Hex	DIN 439 M10x1,25	1
7	027 057	Spring, Tension	Z-109 JX	2
8	020 473	Bolt, Allen	DIN 912 M5x16 A2	4
9	020 682	Nut, Hex	DIN 980 M5	4
10	020 016	Bolt, Allen	DIN 912 M8x35	1
11	020 278	Nut, Hex	DIN 985 M8	1
12	136 430	Switch, Limit with Feeler adjusted at the factory, Repl. 231 377-4		2
	231 377-4	Switch, Unbalance		2
13	136 808	Bar, Spring for Unbalance Switch		1

TYPE LZ285

TILT CYLINDER

Page

9-13.0



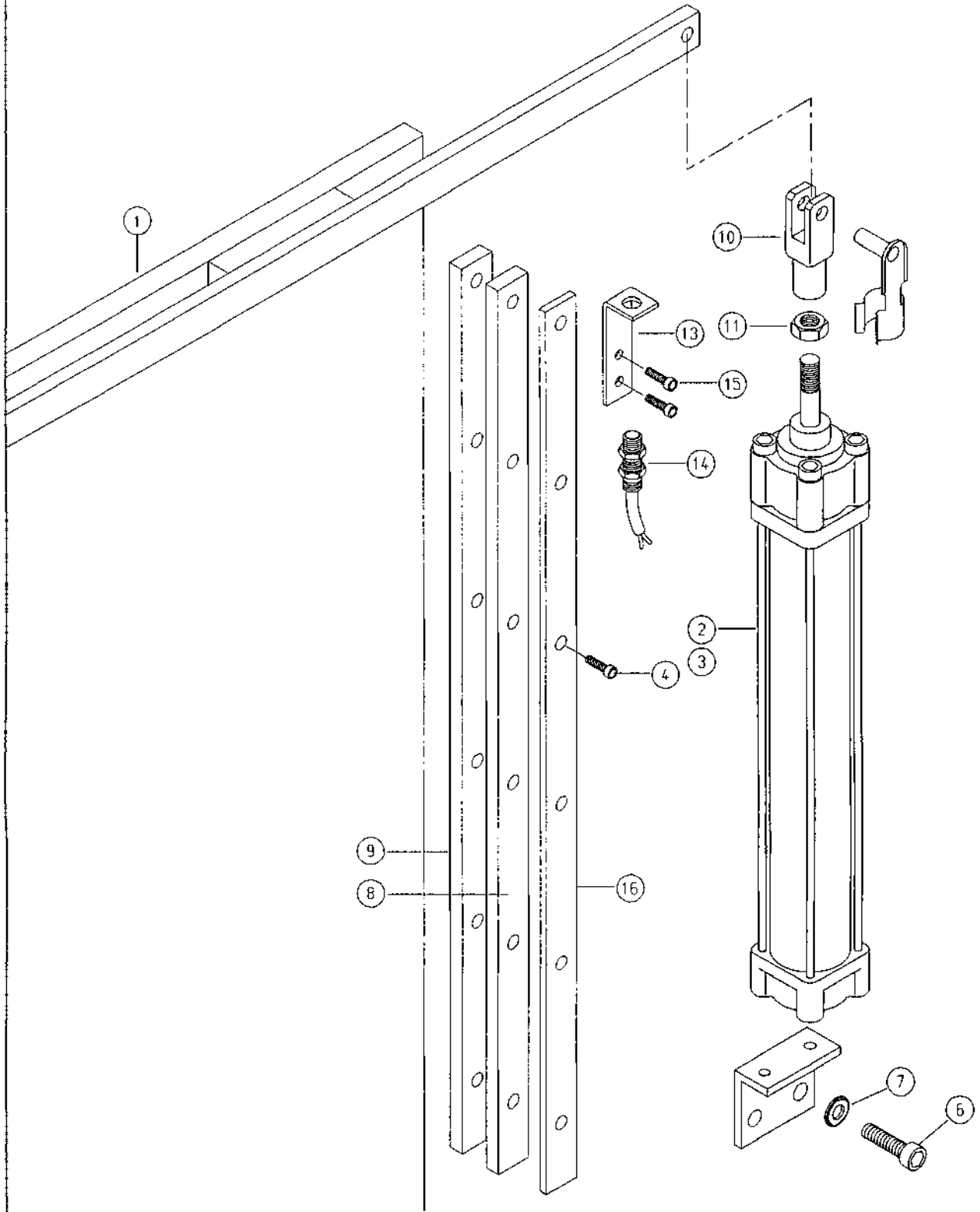
Type		Spare Parts List			Page
LZ 285		Tilt Cylinder			9-13.1
Pos.	Part No.	Part Name	Description	Quant.	
1	112 153-2	Cylinder, Pneumatic	DN 200x905	2	
2		Repair Kit for Cylinder Pos. 1			
3	025 003	Ring, Snap	DIN 470	4	
4	232 315-3	Bracket, Clamping		4	
5	232 415-4	Shaft		1	
6	021 092	Bolt, Allen	DIN 912 M36x100	4	
7	021 093	Washer	DIN 125 37	4	
8	020 827	Bolt, Allen	DIN 912 M16x70	8	
9	100 188	Bushing, Glycodur	606540F	4	
10	232 410-4	Bolt		2	

TYPE LZ285

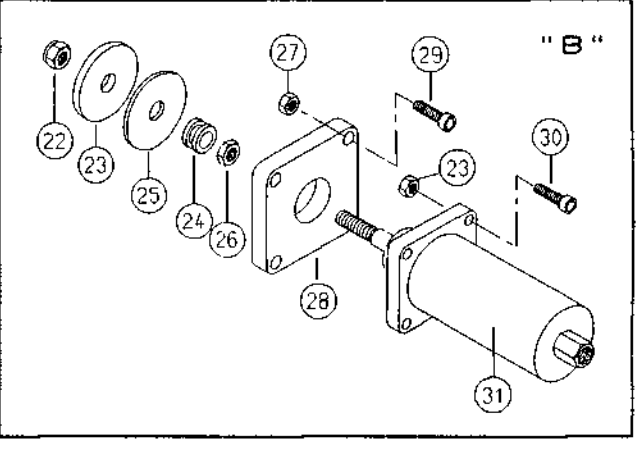
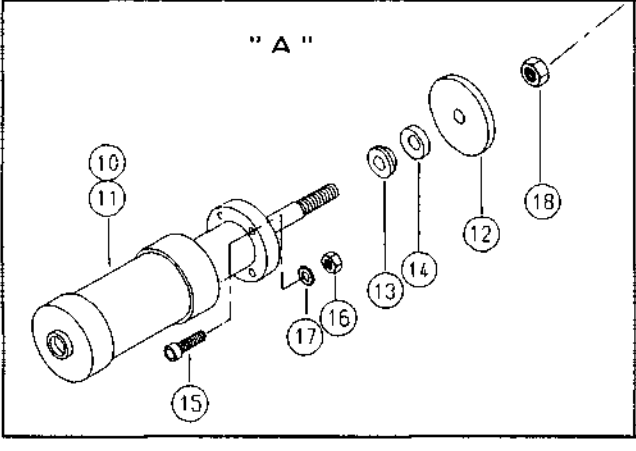
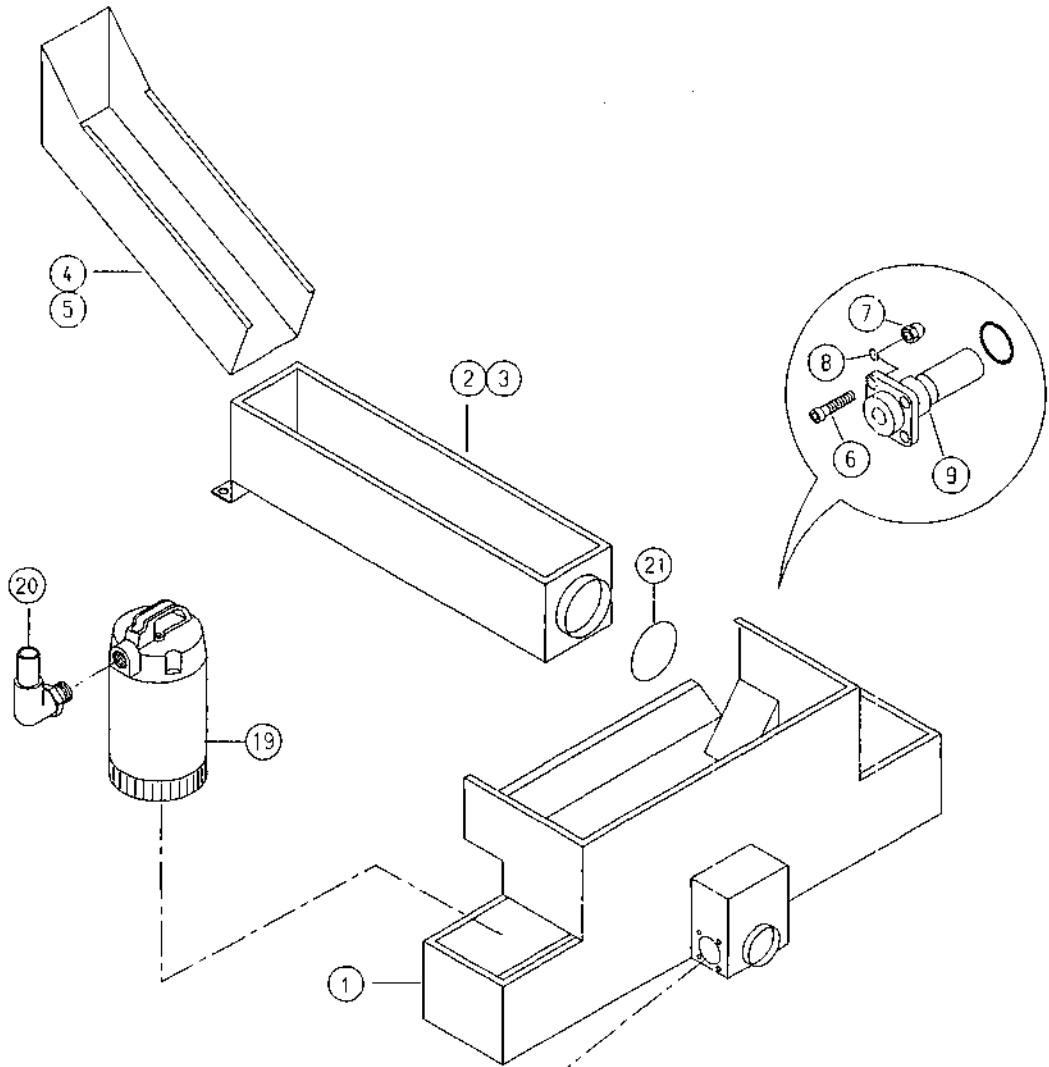
LOADING DOOR

Page

9-14.0



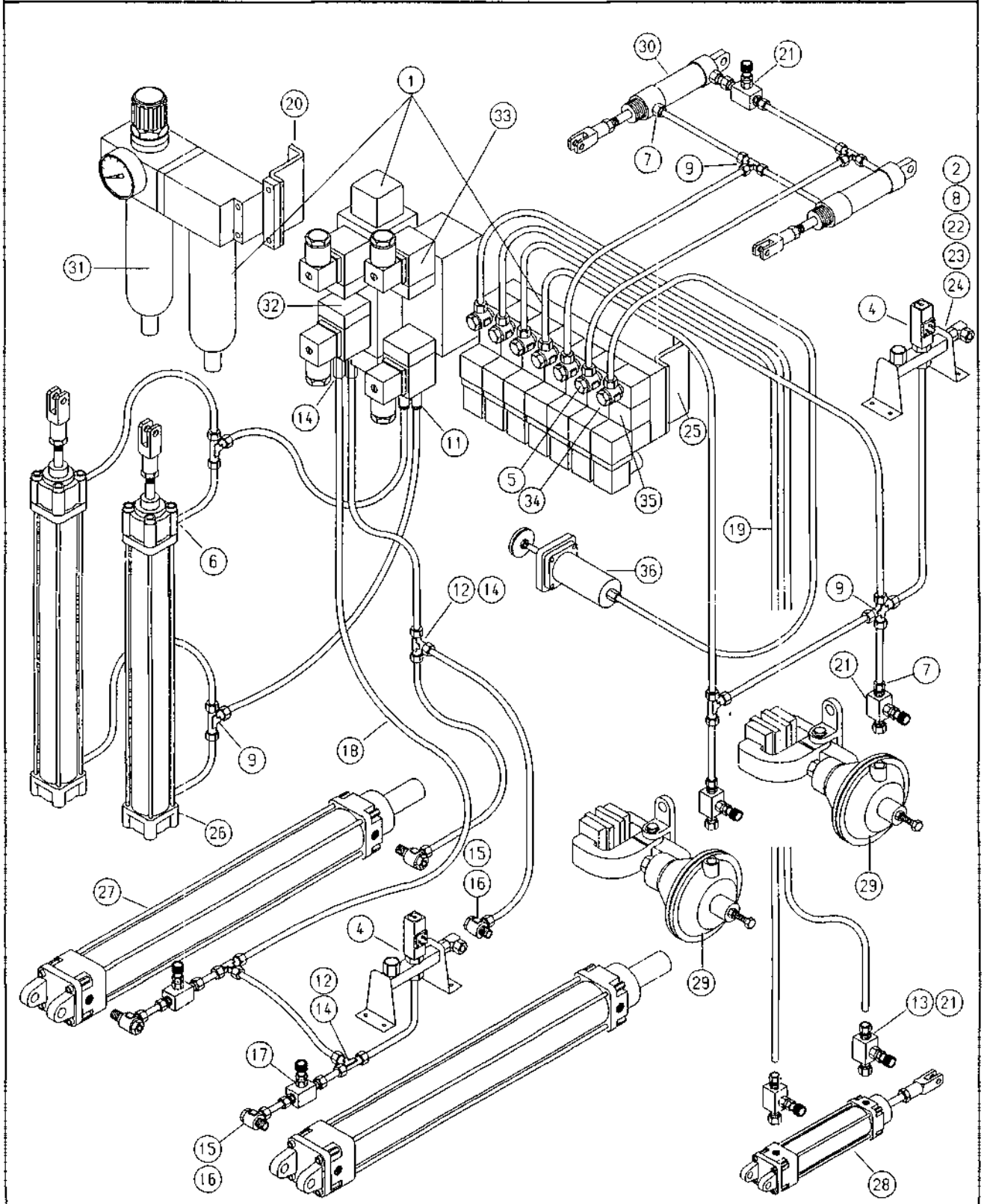
Type		Spare Parts List			Page
LZ 285		Loading Door			9-14.1
Pos.	Part No.	Part Name	Description	Quant.	
1	232 370-3	Door, Loading		1	
2	112 169-4	Cylinder, Pneumatic	D 40x865	2	
3		Repair Kit for Cylinder Pos. 2			
4	020 002	Bolt, Allen	DIN 912 M6x16 A2	16	
5					
6	020 155	Bolt, Allen	DIN 912 M8x20 A2	2	
7	020 047	Washer	DIN 125 8,4 A2	2	
8	232 374-4	Rail, Guide Polyamide		2	
9	232 375-4	Rail, Spacer		2	
10	020 719	Clevis with Bolt		2	
11	020 435	Nut, Hex	DIN 936 M12	2	
12					
13	232 890-4	Bracket, Magnetic Switch		1	
14	135 472	Switch, Magnetic		2	
15	020 002	Bolt, Allen	DIN 912 M6x16 A2	2	
16	231 571-4	Strip, Cover		2	



Type		Spare Parts List		Page
LZ 285		Water System		9-15.1
Pos.	Part No.	Part Name	Description	Quant.
1	232 331-1	Vat, Middle		1
2	232 727-3	Vat, Side Right		1
3	232 333-3	Vat, Side Left		1
4	232 821-3	Vat, Collector Right		1
5	232 843-3	Vat, Collector Left		1
6	020 473	Bolt, Allen	DIN 912 M5x16	1
7	210 924-4	Nut, Acorn	M5 A2	1
8	028 108	O-Ring	6x1,5	1
9	135 833	Switch, Level		1
10	112 219	Cylinder, Pneumatic	Type A-SE-FA, DN40x60	1
11		Repair Kit for Cylinder Pos. 10		
12	211 999-4	Disc, Seal		1
13	021 038	Washer, Spherical	DIN 6319 10.5-C-NI	2
14	021 039	Cup, Spherical	DIN 6319 12-D-NI	2
15	020 003	Bolt, Allen	DIN 912 M6x20	4
16	020 031	Nut, Hex	DIN 934 M6	4
17	020 046	Washer	DIN 125 6,4	4
18	021 105	Nut, Hex self-locking	DIN 985 M10 A2	1
19		Pump, Sump Indicate Voltage and Frequency.		1
20		Line, Pump		1

Type		Spare Parts List			Page
LZ 285		Water System			9-15.2
Pos.	Part No.	Part Name	Description	Quant.	
21	028 262	O-Ring		2	
	213 075-3	<u>Notice:</u> Pos. 10 - 18, Repl. 213 075-3 Conversion Kit Drain Valve to Version B, consists of Pos. 22 - 31			
22	021 207	Nut, Hex self-locking	DIN 985 M10 A2	1	
23	211 999-4	Seal, Rubber		1	
24	137 037	Grommet		1	
25	213 077-4	Disc, Seal		1	
26	201 208	Nut, Hex	DIN 439 M10 A2	1	
27	020 420	Nut, Hex self-locking	DIN 985 M6 A2	6	
28	213 076-4	Bracket, Cylinder		1	
29	020 003	Bolt, Allen	DIN 912 M6x20 A2	4	
30	020 004	Bolt, Allen	DIN 912 M6x25 A2	2	
31	112 496	Cylinder	DFK-25-50P	1	

Type		Spare Parts List			Page
LZ 285		Water System			9-15.3
Pos.	Part No.	Part Name	Description	Quant.	
38	112 501	Fitting	CK-1/8-PK-4	10	
39	006 082	Hose, Plastic	PU-4	1	
40	112 034	Muffler for Valve Manifold	G1/8" D1-06	1	
41	111 048	Nipple, Reducer	3/8"x1/4"	1	
42	111 082	Fitting, Elbow	WE 8 R 1/4	1	



Type		Spare Parts List		Page
LZ 285		Pneumatic System		9-16.1
Pos.	Part No.	Part Name	Description	Quant.
1	112 276	Bloc, Control compl. up to serial no. 2850108	Parker	1
	112 458	Bloc, Control compl. from serial no. 2850109		
2	111 164	Screw, Plug	0551334	2
3	111 065	Valve, Throttle Check	DRV 8, 1/4"	4
4	135 987	Switch, Pressure	0-30BA	2
5	112 138	Fitting, Quick	LCK-1/8-PK-6	7
6	112 045	Fitting, Elbow	GCK 1/4-8/6-KU	4
7	112 166	Fitting, Quick	CK-1/8-PK6	5
8	112 253	Bracket, Valve Manifold		4
9	112 298	Distributor	6275-FCK-3-PK-6-KU	6
10	030 036	Nipple, Reducer	1/2"Ax1/4"l	1
11	121 166	Fitting, Quick	CK-1/4-PK-6	5
12	030 003	Fitting-T	1/2"	4
13	030 029	Nipple, Straight	1/4"	2
14	112 190	Fitting	CK-1/2-PK-13	8
15	112 191	Fitting, Quick	LCK-1/2-PK-13	12
16	112 192	Nipple, Reducer	D-1/2l-3/4A	4
17	112 194	Valve, Throttle Check	GRLA-1/2-B	2
18	006 064	Hose, Plastic	PU-13	30m
19	006 050	Hose, Plastic	PU-6	40m

Type		Spare Parts List		Page
LZ 285		Pneumatic System		9-16.2
Pos.	Part No.	Part Name	Description	Quant.
20	232 823-4	Bracket, Mounting		2
21	112 302	Valve, Throttle Check	GRLA-1/8-PK-6B	4
22	112 303	Rack, Valve, 2-fold		2
23	028 160	O-Ring	13x2	4
24	111 935	Bolt, Banjo	NG6, R1/4"	2
25	232 818-4	Angle, Mounting		2
26	111 169-4	Cylinder, Pneumatic		2
27	112 153-2	Cylinder, Pneumatic		2
28	112 283	Cylinder, Pneumatic		1
29	111 495	Cylinder, Membrane		2
30	112 297	Cylinder, Membrane		2
31	112 537	Regulator, Air with Control Bloc 112 276		1
	112 128	Regulator, Air with Control Bloc 112 458		1
32	112 534	Valve with Control Bloc 112 276	5/3 G1/2 24 DC	1
	112 528	Valve with Control Bloc 112 458	5/3 G1/2 24 DC	1
33	112 535	Valve with Control Bloc 112 276	5/3 G1/4 24 DC	1
	112 529	Valve with Control Bloc 112 458	5/3 G1/4 24 DC	1
34	112 536	Valve with Control Bloc 112 276	3/2 G1/8 24 DC	1
	112 530	Valve with Control Bloc 112 458	3/2 G1/8 24 DC	1
35	112 578	Valve, Solenoid	372 24V/DC	1
36	112 496	Cylinder	DFK-25-50 P	1

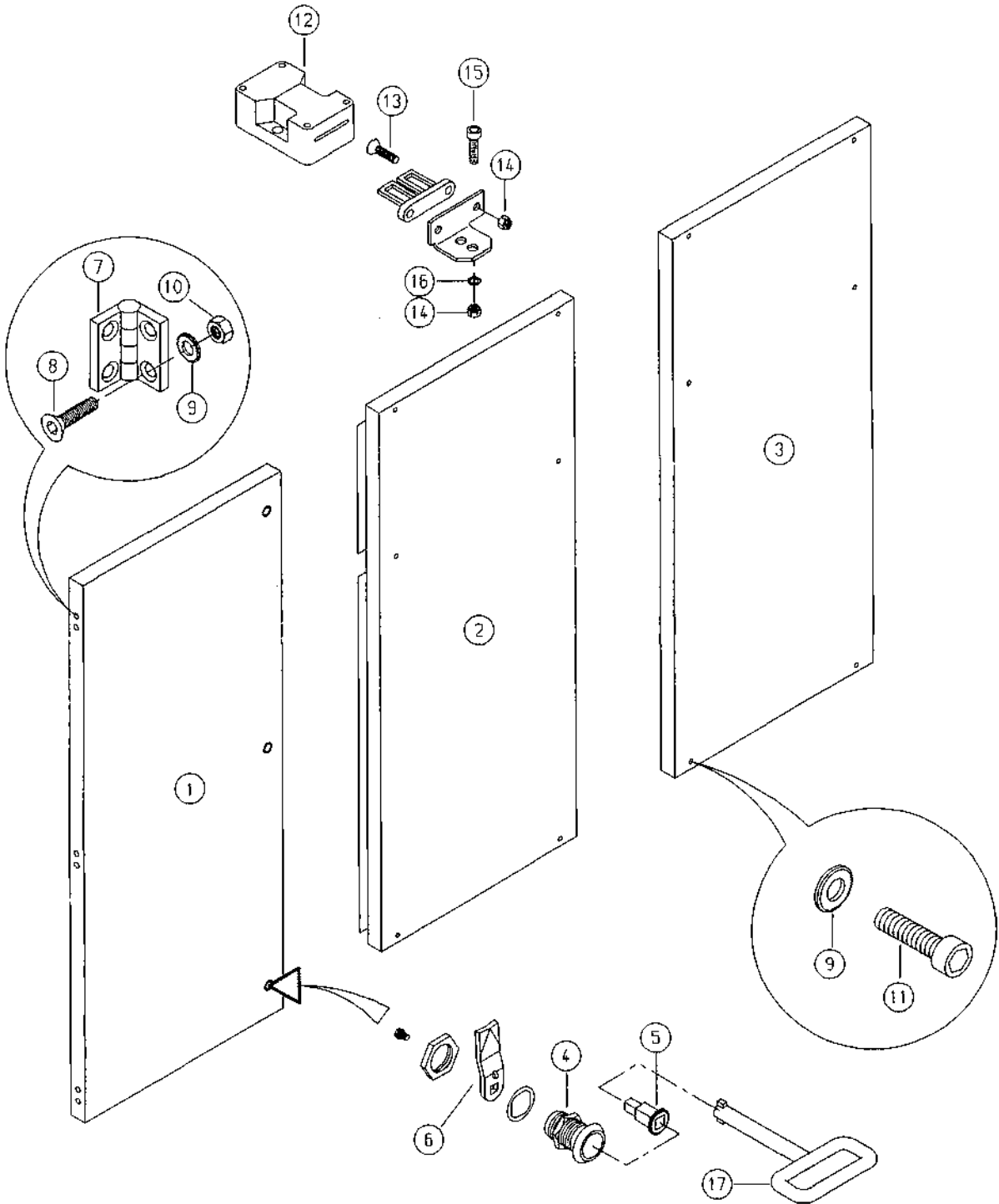
Type		Spare Parts List			Page
LZ 285		Panels Rear			9-25.1
Pos.	Part No.	Part Name	Description	Quant.	
1	232 712-3	Panel, Rear		2	
2	033 023	Label, Safety		2	
3	020 006	Bolt, Alien	DIN 912 M8x16	8	
4	020 047	Washer	DIN 125 A 8,4	8	

TYPE LZ285

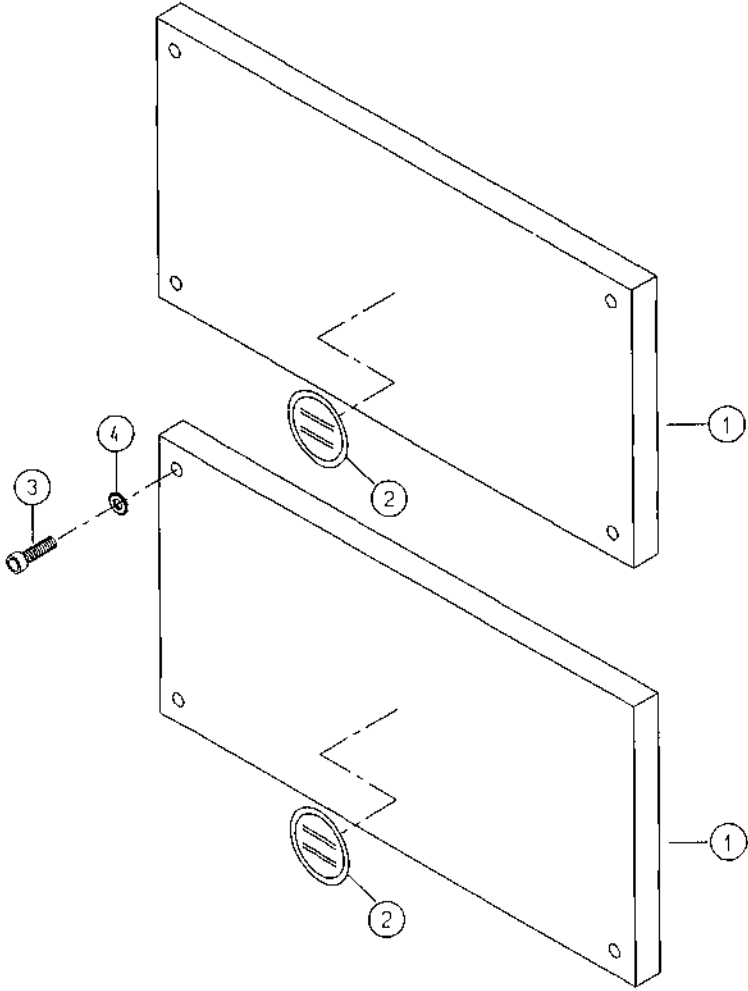
LATERAL PANELS

Page

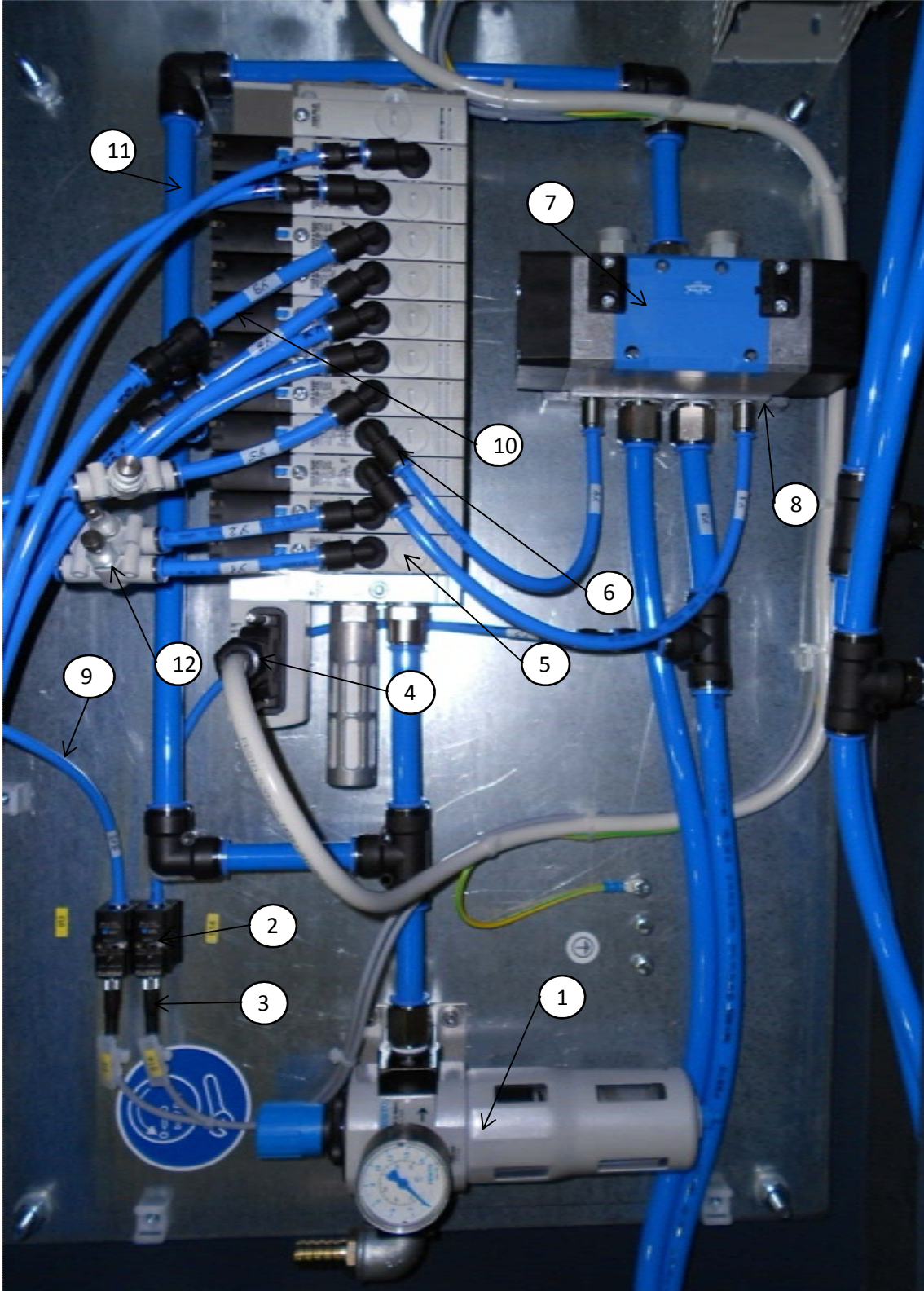
9-24.0



Type		Spare Parts List			Page
LZ 285		Lateral Panels			9-24.1
Pos.	Part No.	Part Name	Description	Quant.	
1	232 711-3	Cover, Side Door		1	
2	232 710-3	Cover, Middle Panel		1	
3	232 709-3	Cover, Side Panel		1	
4	121 061	Housing, Latch		4	
5	121 138	Key		5	
6	121 033	Tongue		6	
7	121 144	Hinge, Bolt-On		6	
8	020 896	Screw, CS	DIN 7991 M8x25	24	
9	020 047	Washer	DIN 125 A 8,4	32	
10	020 278	Nut, Hex	DIN 985 M8	12	
11	020 006	Bolt, Allen	DIN 912 M8x16	32	
12	135 483	Switch, Safety	AZ 15 ZVR	2	
13	020 167	Screw, CS	DIN 965 M4x16	4	
14	020 192	Nut, Hex self-locking	DIN 933 M4	8	
15	020 297	Bolt, Allen	DIN 84 M4x16	8	
16	020 045	Washer	DIN 125 A 4,3	8	
17	121 139	Key, Square	7mm	1	



Type		Spare Parts List			Page
LZ 285		Panels Rear			9-25.1
Pos.	Part No.	Part Name	Description	Quant.	
1	232 712-3	Panel, Rear		2	
2	033 023	Label, Safety		2	
3	020 006	Bolt, Allen	DIN 912 M8x16	8	
4	020 047	Washer	DIN 125 A 8,4	8	



LZ 285		Ersatzteilliste, Spare parts list, Liste de pièces		Blatt Page
		PNEUMATIKSYSTEM PNEUMATIC SYSTEM SYSTEME PNEUMATIQUE		9-26.1
POS. REP.	Ident-Nr. Part No. Ref. N°	Benennung Part Name Désignation	Bezeichnung Description	Menge Quant.
1	113325	Filterregelventil filter-control valve filtre-régulateur-soupape	Festo	1
2	113319	Drucksensor Pressure sensor pression capteur	Festo	1
3	138908	Kabel Cable Câble	Festo	1
4	138901	Kabel Cable Câble	Festo	1
5	113309	Ventil Valve Soupape	Festo	11
6	113310	Steckanschluß Ventil 8mm cartridge valve 8mm borne à fiche soupape 8mm	Festo	11
7	113326	Ventil Valve Soupape	Festo	1
8	113327	Anschlußplatte connecting plate plaquette d'obturation	Festo	1
9	006082	Schlauch 6 hose 6 Tuyau 6	Festo	
10	006050	Schlauch 8 hose 8 Tuyau 8	Festo	
11	006136	Schlauch 16 hose 16 Tuyau 16	Festo	

LZ 285		Ersatzteilliste, Spare parts list, Liste de pièces		Blatt Page
		PNEUMATIKSYSTEM PNEUMATIC SYSTEM SYSTEME PNEUMATIQUE		9-26.2
POS. REP.	Ident-Nr. Part No. Ref. N°	Benennung Part Name Désignation	Bezeichnung Description	Menge Quant.
12	113313	Drossel-Rückschlag-Ventil 8mm Air regulator-blow-valve 8mm inductance d'arrêt-soupape 8mm	Festo	4