

LAVATEC

Laundry Technology GmbH

SPARE PARTS LIST

LAVAPRESS - SERIES

LP 560

LP 561



**Serial N°
Wiring Diagram
Hydraulic Plan**

LAVATEC
Laundry Technology GmbH
Wannenäckerstraße 53
D – 74078 Heilbronn
Telephone 0 71 31 / 29 80
Telefax 0 71 31 / 2 30 51

ET-LP560_561-V12.12.20_GB

9. SPARE PARTS LIST

ORDERING SPARE PARTS

When ordering spare parts, please include the following information with your order:

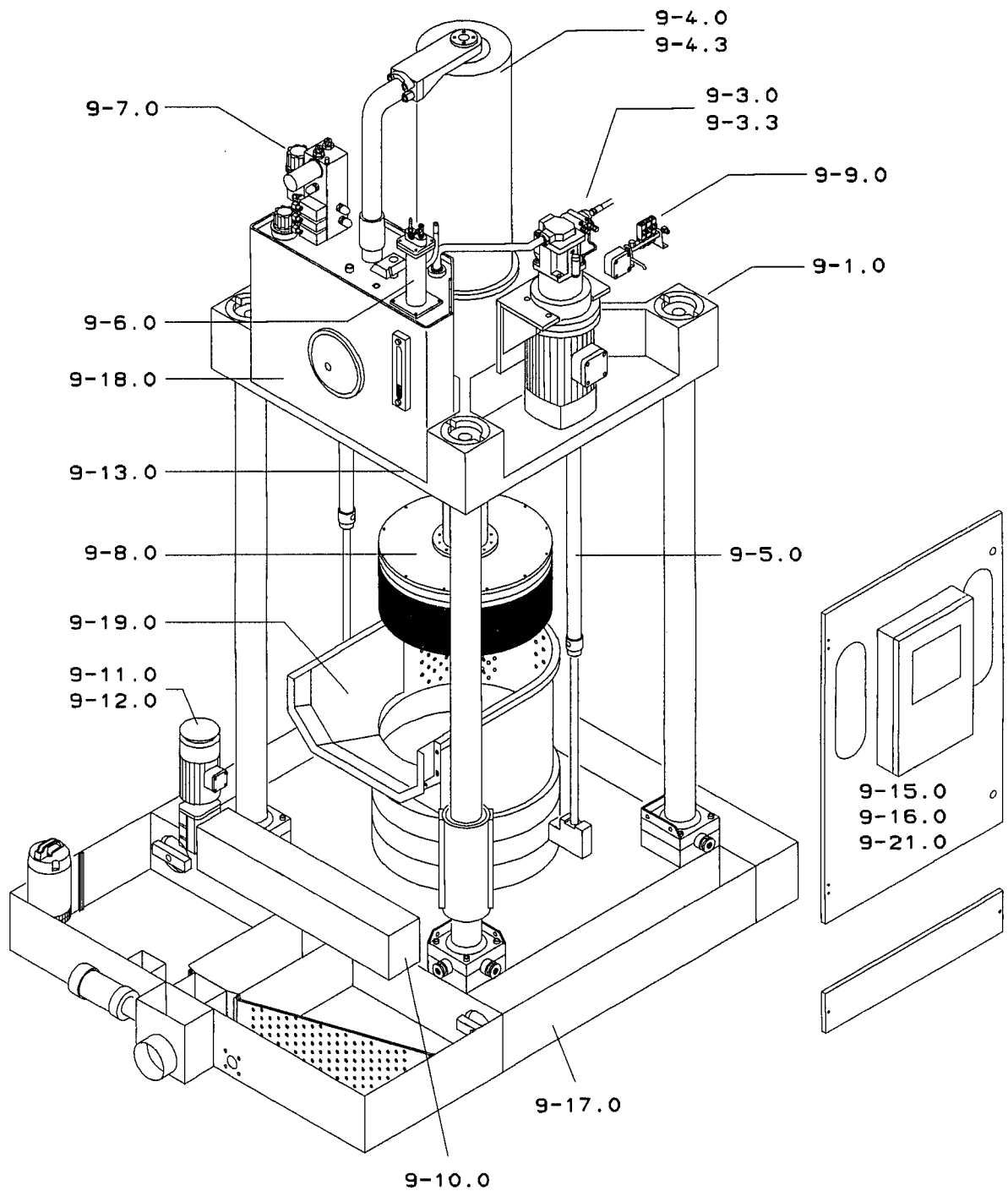
1. Model and serial number of the equipment (located on the name plate).
2. Part number, part name, and quantity required. Use the manual to facilitate ordering.
3. When ordering electrical motors please include complete name plate data, motor manufacturer, and wiring diagram number.

Our service and service parts department is staffed with specially trained personnel to assist you with your needs. Please do not hesitate to call if we can be of any assistance.

SUBJECT TO CHANGES WITHOUT NOTIFICATION

9.1 TABLE OF CONTENTS

	Page
Table of contents	9-0.1
Overview	9-0.2
Column Assembly	9-1.0
Pump Assembly 5,5 kW	9-2.0
Pump Assembly 5,5 kW valid from serial no. 5600102, 5610106	9-2.3
Pump Assembly, Proportional Pump 5,5 kW valid only for serial no. 5610101	9-3.0
Pump Assembly, Proportional Pump 5,5 kW valid from serial no. 5600102, 5610107	9-3.4
Main Cylinder Piping, Cylinder Stroke 1000 mm	9-4.0
Main Cylinder Piping, Cylinder Stroke 1225 mm	9-4.3
Basket Cylinder Piping	9-5.0
Heat Exchanger - Air Filter	9-6.0
Control Block Assembly	9-7.0
Membrane Assembly	9-8.0
Pressure Control	9-9.0
Conveyor Assembly	9-10.0
Conveyor Drive Tensioner	9-11.0
Photocell and Bracket	9-12.0
Control Rods and Supports	9-13.0
Free	9-14.0
Control Elements	9-15.0
Controls	9-16.0
Water Tank	9-17.0
Oil Tank	9-18.0
Basket	9-19.0
Chute	9-20.0
Panels	9-21.0

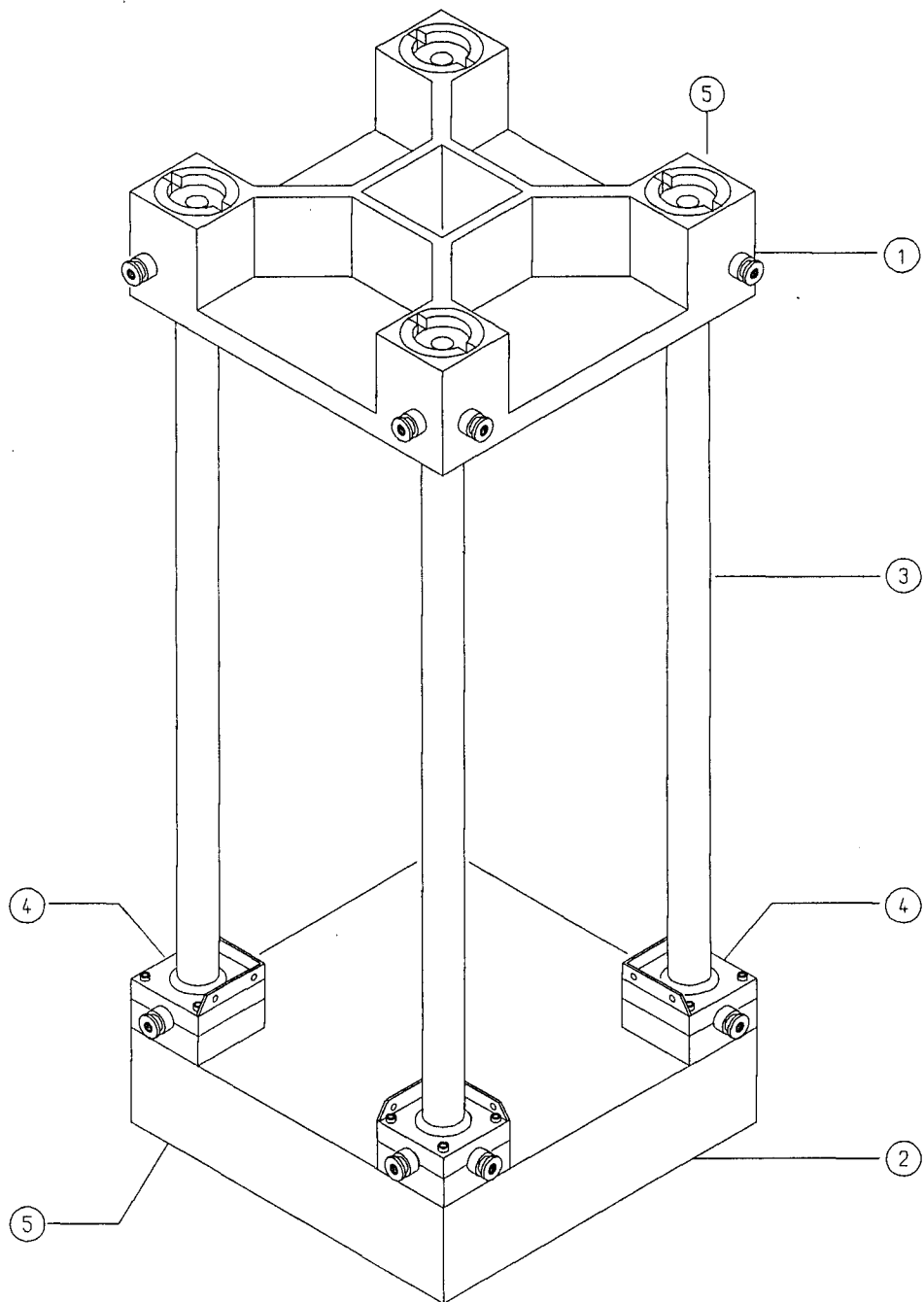


TYPE LP 560/561

COLUMN ASSEMBLY

Page

9-1.0



Type LP 560/561		Spare Parts List Column Assembly		Page 9-1.1
Pos.	Part No.	Part Name	Description	Quant.
1	212 630-1	Frame, Top		1
2	212 626-2	Frame, Bottom		1
3	212 662-3	Column	Type 561	4
	212 377-3	Column	Type 560	4
4	212 110-3	Ring, Pressure		8
5	212 109-3	Nut, Groove		8

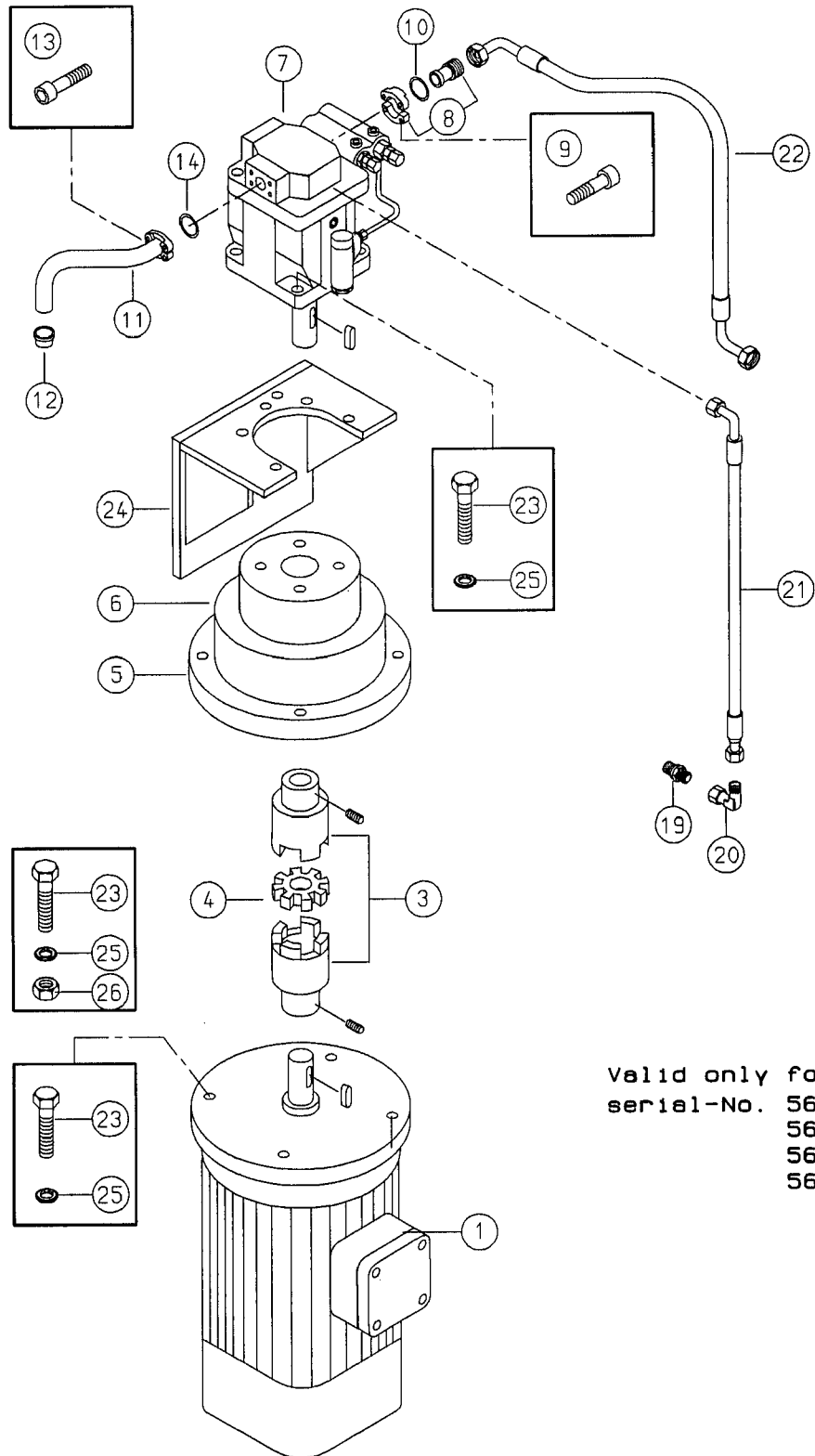
TYPE LP 560/561

PUMP ASSEMBLY

5.5 kW

Page

9-2.0



Valid only for
serial-No. 5600101
5610102
5610103
5610105

Type LP 560/561		Spare Parts List Pump Assembly 5,5 kW valid only for serial no: 5600101, 5610102, 5610103, 5610105			Page 9-2.1
Pos.	Part No.	Part Name	Description	Quant.	
1		Motor, Please indicate voltage and frequency	5,5 kW	1	
2					
3	112 402	Spidex-Coupling	A28/38.18-38x80	1	
4	111 500	Coupler	A 28 - 92 SH	1	
5	112 016	Bracket, Pump	R 300/83/436	1	
6	112 403	Flange, Damper	DF 250/1N/571	1	
7	112 445	Pump, Axial Piston	A10VSO18DR	1	
8	111 937	SAE-Flange Connector	GFS 33/25-PS	1	
9	020 483	Bolt, Allen	DIN 912 M10x35	4	
10	028 098	O-Ring	25.0x3.53	1	
11	212 745-3	Pipe, Suction		1	
12	028 323	Grommet, Rubber	UC 2820	1	
13	020 011	Bolt, Allen	DIN 912 M12x40	4	
14	028 322	O-Ring	32.92x3.53	1	
15					
16					
17					
18					
19	112 012	Coupling, Straight	XGE 18-PL1	1	
20	112 011	Coupling, Elbow	EVW 18-PL	1	

Type LP 560/561		Spare Parts List Pump Assembly 5,5 kW valid only for serial no: 5600101, 5610102, 5610103, 5610105			Page 9-2.2
Pos.	Part No.	Part Name	Description	Quant.	
21	121 160	Hose, Hydraulic	481-10x900	1	
22	121 271	Hose, Hydraulic	4 SP 20x1260	1	
23	020 020	Bolt, Hex	DIN 933 M12x40	10	
24	212 735-3	Bracket, Motor 5,5 kW		1	
25	020 134	Washer, Tension	DIN 6796 12	10	
26	020 039	Nut, Hex	DIN 934 M12	4	

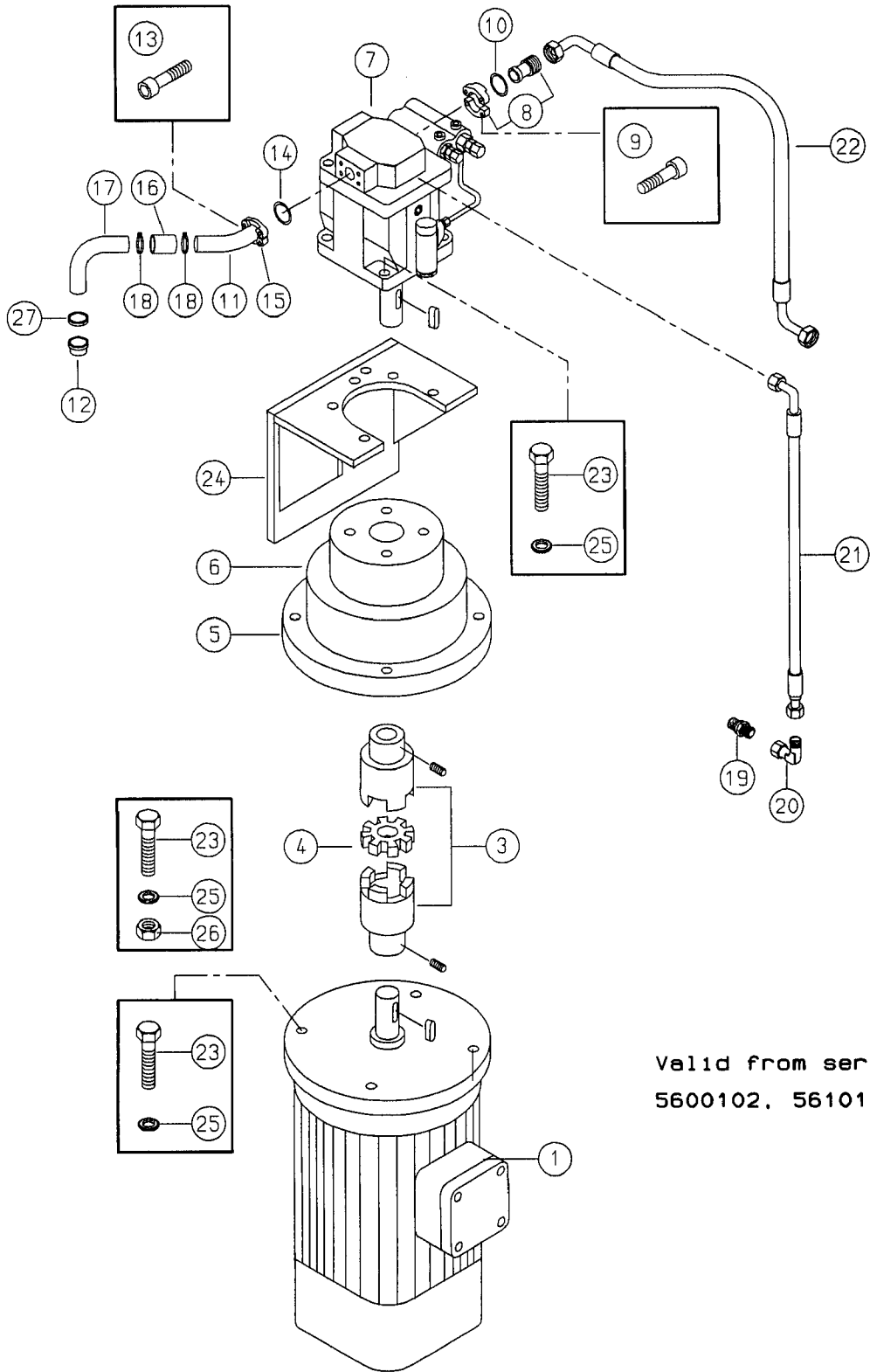
TYPE LP 560/561

PUMP ASSEMBLY

5.5 kW

Page

9-2.3



Valid from serial-No.
5600102. 5610106

Type LP 560/561		Spare Parts List Pump Assembly 5,5 kW valid from serial no: 5600102, 5610106			Page 9-2.4
Pos.	Part No.	Part Name	Description	Quant.	
1		Motor, Please indicate voltage and frequency	5,5 kW	1	
2					
3	112 018	Spidex-Coupling	A28/38.22-38x80	1	
4	111 500	Coupler	A 28 - 92 SH	1	
5	112 016	Bracket, Pump	R 300/83/434	1	
6	111 761	Flange, Damper	DF 250/1N/571	1	
7	111 931	Pump, Axial Piston	A10VSO28DR	1	
8	111 937	SAE-Flange Connector	GFS 33/25-PS	1	
9	020 483	Bolt, Allen	DIN 912 M10x35	4	
10	028 098	O-Ring	25.0x3.53	1	
11	213 031-4	Pipe, Suction Pump Side		1	
12	028 093	Grommet, Rubber	UC 2825	1	
13	020 011	Bolt, Allen	DIN 912 M12x40	4	
14	028 193	O-Ring	37.7x3.53	1	
15	112 052	SAE Split Flange		1	
16	213 032--	Hose		1	
17	213 030-4	Tube, Suction Tank Side		1	
18	121 293	Clamp, Hose		2	
19	112 012	Coupling, Straight	XGE 18-PL1	1	
20	112 011	Coupling, Elbow	EVW 18-PL	1	

Type LP 560/561		Spare Parts List Pump Assembly 5,5 kW valid from serial no: 5600102, 5610106			Page 9-2.5
Pos.	Part No.	Part Name	Description	Quant.	
21	121 160	Hose, Hydraulic	481-10x900	1	
22	121 271	Hose, Hydraulic	4 SP 20x1260	1	
23	020 020	Bolt, Hex	DIN 933 M12x40	10	
24	212 735-3	Bracket, Motor 5,5 kW		1	
25	020 134	Washer, Tension	DIN 6796 12	10	
26	020 039	Nut, Hex	DIN 934 M12	4	
27	025 069	Collar	DIN 705 A50 SS	1	

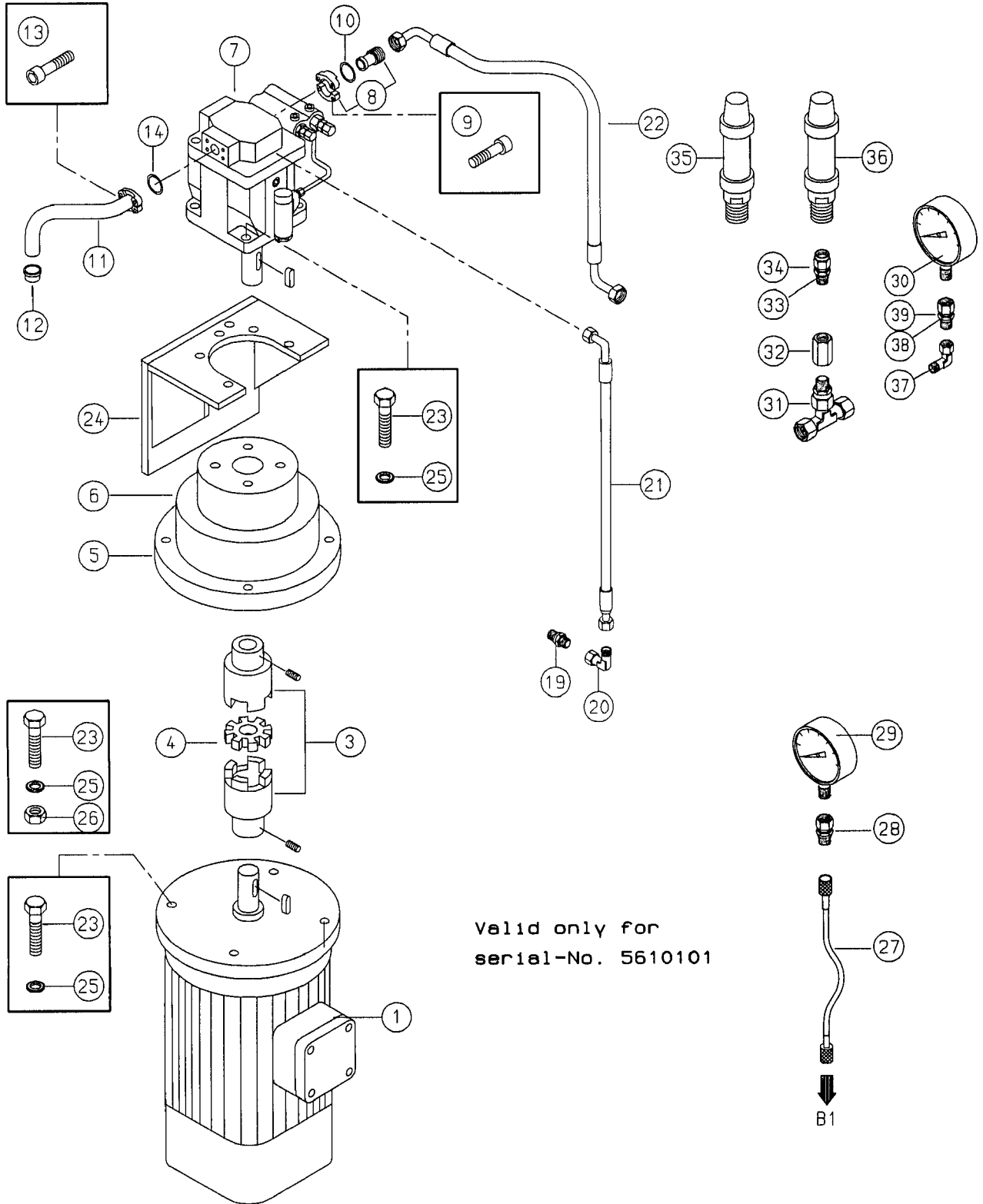
TYPE LP 560/561

PUMP ASSEMBLY

Page

PROPORTIONAL PUMP 5.5 kW

9-3.0



Type LP 560/561		Spare Parts List Pump Assembly Proportional Pump 5,5 kW valid only for serial no: 5610101			Page 9-3.2
Pos.	Part No.	Part Name	Description	Quant.	
21	121 160	Hose, Hydraulic	481-10x900	1	
22	121 271	Hose, Hydraulic	4 SP 20x1260	1	
23	020 020	Bolt, Hex	DIN 933 M12x40	10	
24	212 735-3	Bracket, Motor		1	
25	020 134	Washer, Tension	DIN 6796 12	10	
26	020 039	Nut, Hex	DIN 934 M12	4	
27	111 025	Connector, Manometer	SMA 3-2500	2	
28	111 047	Connector		2	
29	112 014	Manometer	0-400 bar	1	
30	112 013	Manometer	0-40 bar	1	
31	112 329	Connector	EVT 8 PLR 1/4	1	
32	112 330	Fitting, Reducer	RI 1/8x1/4	1	
33	020 383	Nut, Hex	DIN 934 M16 A2	1	
34	110 425-4	Connector, Manometer		1	
35	112 416	Sensor, Pressure	0-400 bar	1	
36	112 417	Sensor, Pressure	0-40 bar	1	
37	111 027	Elbow ESVS	WE 8 LLR MS	1	
38	020 383	Nut, Hex	DIN 934 M16 A2	1	

Type LP 560/561		Spare Parts List Pump Assembly Proportional Pump 5,5 kW valid only for serial no: 5610101		Page 9-3.3
Pos.	Part No.	Part Name	Description	Quant.
39	111 425-4	Connector, Manometer		1

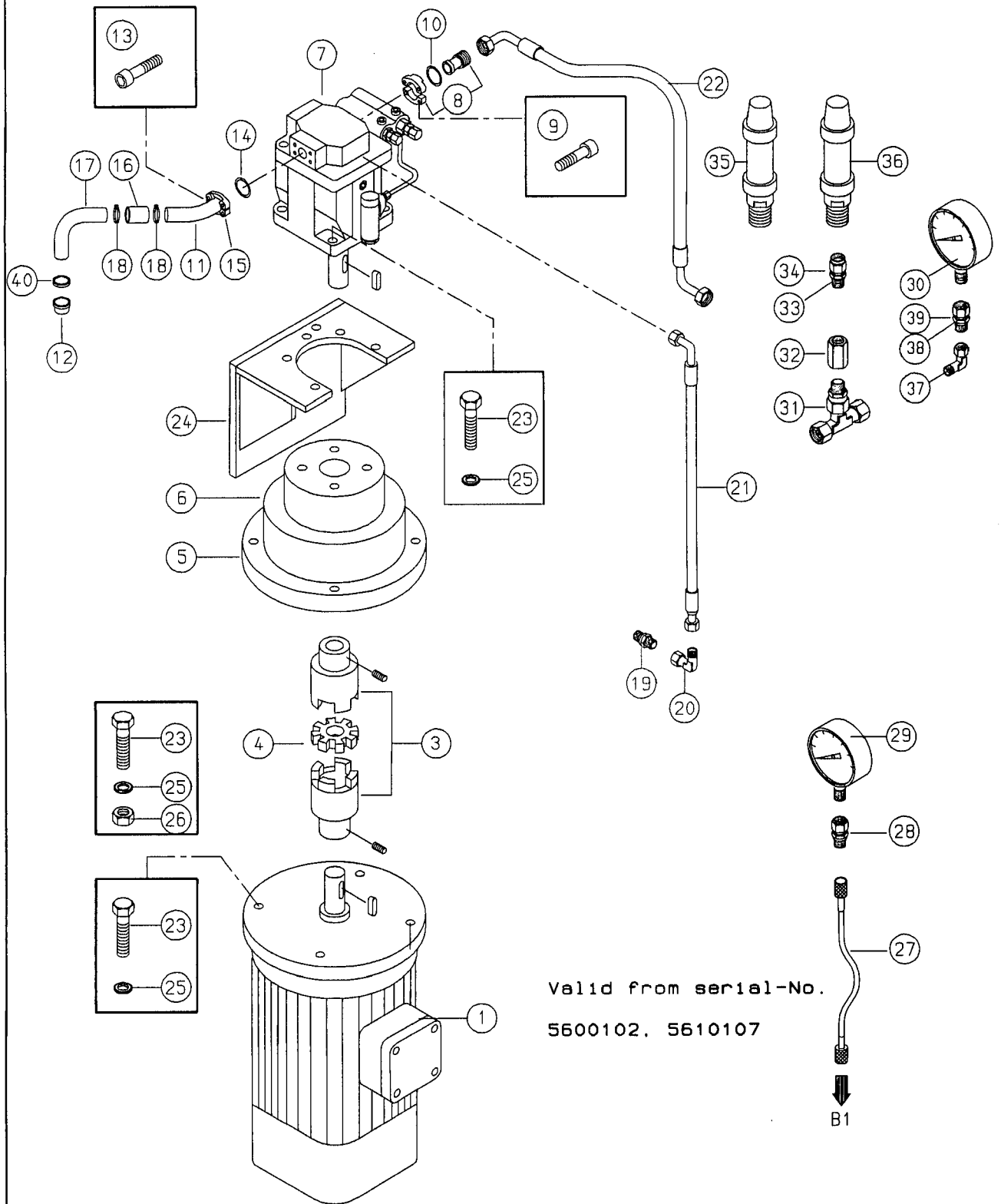
TYPE LP 560/561

PUMP ASSEMBLY

Page

PROPORTIONAL PUMP 5.5 kW

9-3.4



Valid from serial-No.
5600102, 5610107

Type LP 560/561		Spare Parts List Pump Assembly Proportional Pump 5,5 kW valid from serial no: 5600102, 5610107		Page 9-3.5
Pos.	Part No.	Part Name	Description	Quant.
1		Motor, Please indicate voltage and frequency	5,5 kW	1
2				
3	112 018	Spidex-Coupling	A28/38.22-38x80	1
4	111 500	Coupler	A28 - 92 SH	1
5	112 016	Bracket, Pump	R300/83/434	1
6	111 761	Flange, Damper	F 250/1N/204	1
7	112 489	Pump, Axial Piston A10VSO28DFE1/31R		1
8	111 937	SAE-Flange Connector	FS 33/25-PS	1
9	020 483	Bolt, Allen	DIN 912 M10x35	4
10	028 098	O-Ring	25.0x3.53	1
11	213 031-4	Pipe, Suction		1
12	028 323	Grommet, Rubber	UC 2820	1
13	020 011	Bolt, Allen	DIN 912 M12x40	4
14	028 193	O-Ring	37.7x3.53	1
15	112 052	SAE Split Flange	FH 3004	1
16	213 032--	Hose		1
17	213 030-4	Tube, Suction Tank Side		1
18	121 293	Clamp, Hose		2
19	112 012	Coupling, Straight	XGE 18-PL1	1
20	111 848	Coupling, Elbow	EVW 18-PL	1

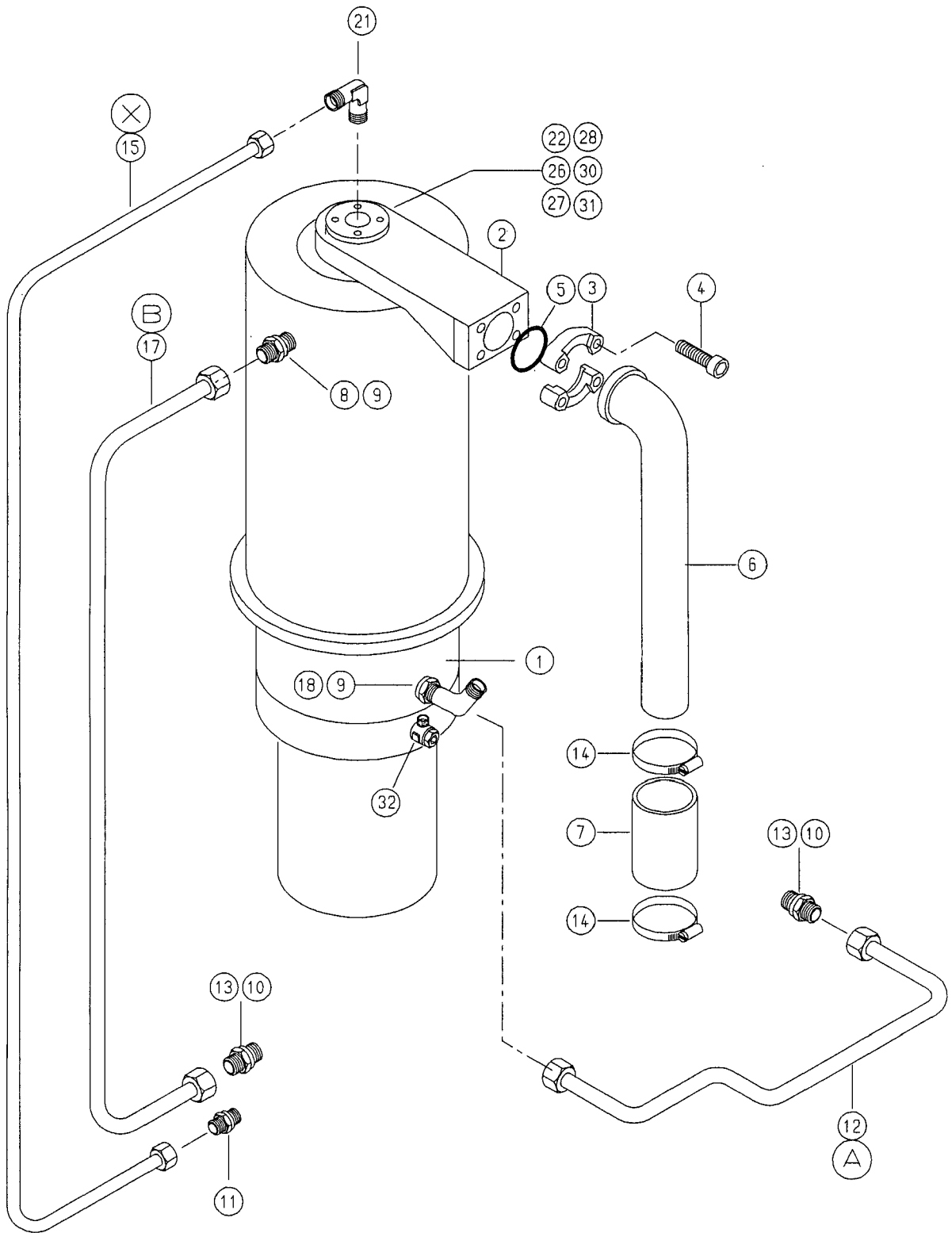
Type LP 560/561		Spare Parts List Pump Assembly Proportional Pump 5,5 kW valid from serial no: 5600102, 5610107			Page 9-3.6
Pos.	Part No.	Part Name	Description	Quant.	
21	121 160	Hose, Hydraulic	481-10x900	1	
22	121 271	Hose, Hydraulic	4 SP 20x1260	1	
23	020 020	Bolt, Hex	M12x40	10	
24	212 735-3	Bracket, Motor		1	
25	020 134	Washer, Tension	12	10	
26	020 039	Nut, Hex	DIN 934 M12	4	
27	111 025	Connector, Manometer	SMA 3-2500	2	
28	111 047	Connector		2	
29	112 014	Manometer	0-400 bar	1	
30	112 013	Manometer	0-40 bar	1	
31	112 329	Connector	EVT 8 PLR 1/4	1	
32	112 330	Fitting, Reducer	RI 1/8x1/4	1	
33	020 383	Nut, Hex	DIN 934 M16 A2	1	
34	110 425-4	Connector, Manometer		1	
35	112 416	Sensor, Pressure	0-400 bar	1	
36	112 417	Sensor, Pressure	0-40 bar	1	
37	111 027	Elbow ESVS	WE 8 LLR MS	1	
38	020 383	Nut, Hex	DIN 934 M16 A2	1	
39	111 425-4	Connector, Manometer		1	
40	025 069	Collar	DIN 705 A50 SS	1	

TYPE LP 560

MAIN CYLINDER PIPING
CYLINDER STROKE 1000 mm

Page

9-4.0



Type LP 560		Spare Parts List Main Cylinder Piping Cylinder Stroke 1000 mm			Page 9-4.1
Pos.	Part No.	Part Name	Description	Quant.	
1	212 101-2	Cylinder	Type 560 240/220 Stroke 1125	1	
2	212 709-4	Adapter		1	
3	112 397	SAE Flange Connector		1	
4	020 011	Bolt, Allen	DIN 912 M12x40	4	
5	028 320	O-Ring	56,75x3,53	1	
6	212 861-4	Pipe, Suction		1	
7	212 729--	Hose	I-D=63x7,5x170	1	
8	111 591	Fitting, Straight	F40xS 20-3/4"	1	
9	028 130	O-Ring for Pos. 8		1	
10	028 129	O-Ring for Pos. 13		1	
11	111 013	Coupling, Straight	F40xS12-1/4"	1	
12	212 845--	Pipe, Lift	d=20x2.5	1	
13	111 593	Coupling, Straight	F40XS 20-1/2"	3	
14	121 200	Hose, Clamp	74-79	2	
15	212 946--	Pipe, Control X	d=12x2	1	
16					
17	212 945--	Pipe, Pressing	d=20x2.5	1	
18	112 466	Fitting, Flange 45°	V40xS 20-3/4"	1	

Type LP 560		Spare Parts List Main Cylinder Piping Cylinder Stroke 1000 mm			Page 9-4.2
Pos.	Part No.	Part Name	Description	Quant.	
21	211 519-4	Coupling, Straight with Throttle	C40xS 12-1/4"	1	
22	111 577	Valve, Filler	NG 80-880601.1	1	
23	212 303-5	Rep. Kit for Cylinder Pos. 1		1	
24					
25					
26	020 008	Bolt, Allen	DIN 912 M8x25	4	
27	211 146-4	Washer	A 160 mm	1	
28	211 151-4	Seal	A 160x2	1	
29	111 687	Rep. Kit for Filler Valve	880601.1	1	
30	211 700	Valve Seat for Filler Valve 111 687			
31	211 701	Nut, Stop for Filler Valve Seat 211 700			
32	111 037	Fitting, Banjo	WH8PLRKD	1	

Type LP 561		Spare Parts List Main Cylinder Piping Cylinder Stroke 1225 mm			Page 9-4.4
Pos.	Part No.	Part Name	Description	Quant.	
1	212 645-1	Cylinder	Type 561 240/220 Stroke 1125	1	
2	212 709-4	Adapter		1	
3	112 397	SAE Flange Connector		1	
4	020 011	Bolt, Allen	DIN 912 M12x40	4	
5	028 320	O-Ring	56,75x3,53	1	
6	212 709-4	Pipe, Suction		1	
7	212 729--	Hose	I-D=63x7,5x170	1	
8	111 591	Fitting, Straight	F40xS 20-3/4"	1	
9	028 130	O-Ring for Pos. 8		1	
10	028 129	O-Ring for Pos. 13		1	
11	111 013	Fitting, Straight	F40xS12-1/4"	1	
12	212 845--	Pipe, Lift	d=20x2.5	1	
13	111 593	Fitting, Straight	F40XS 20-1/2"	3	
14	121 200	Clamp, Hose	74-79	2	
15	212 847--	Pipe, Control X	d=12x2	1	
16					
17	212 846--	Pipe, Pressing	d=20x2.5	1	
18	112 466	Fitting, Flange	V40xS 20-3/4"	1	
19					
20					

Type		Spare Parts List		Page
LP 561		Main Cylinder Piping		9-4.5
		Cylinder Stroke 1225 mm		
Pos.	Part No.	Part Name	Description	Quant.
21	211 519-4	Coupling, Straight with Throttle	C40xS 12-1/4"	1
22	111 577	Valve, Filler	NG 80-880601.1	1
23	212 303-5	Rep. Kit for Cylinder Pos. 1		1
24			M10x200	2
25			M10	8
26	020 008	Bolt, Allen	DIN 912 M8x25	4
27	211 146-4	Washer	A 160 mm	1
28	211 151-4	Seal	A 160x2	1
29	111 687	Rep. Kit for Filler Valve	880601.1	1
30	211 700	Seat, Valve for Filler Valve 111 687		
31	211 701	Nut, Stop for Valve Seat 211 700		
32	111 037	Fitting, Banjo	WH8PLRKD	1

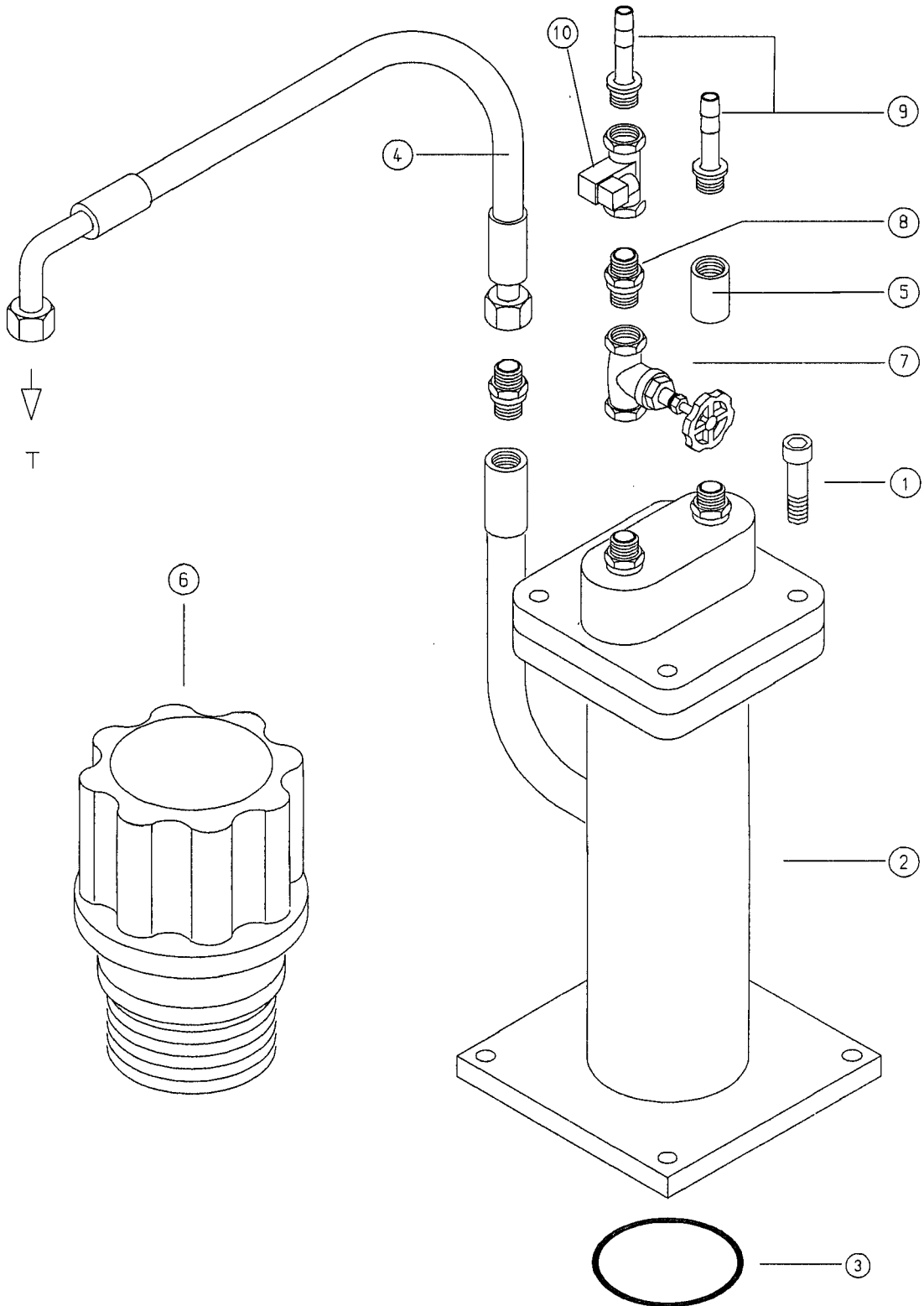
Type LP 560/561		Spare Parts List Basket Cylinder Piping			Page 9-5.1
Pos.	Part No.	Part Name	Description	Quant.	
1	212 046-2	Cylinder, Basket	Type 560 Stroke 400	2	
	111 680-2	Cylinder, Basket	Type 561 Stroke 500	2	
2	111 014	Coupling, Elbow	WH-12-PSR KD	8	
3	111 016	Coupling, Reducer	RI 1/2"x3/8"	2	
4	020 555	Nut, Hex	DIN 439 M22 SS	2	
5	121 158	Hose, Hydraulic	381-7.9x2030	2	
6	020 078	Bolt, Allen	DIN 912 M12x50	8	
7	020 134	Washer, Tension	12	8	
8	020 554	Nut, Hex selflock.	DIN 985 M22 SS	2	
9	212 903-2	Guide, Basket Split		2	
10	111 508	Rep. Kit for Basket Cylinder	HZ 59643X	1	
11	020 556	Washer	DIN 125 M22 SS	2	
12	121 009	Hose, Hydraulic	2 SN 8x2500	2	

TYPE LP 560/561

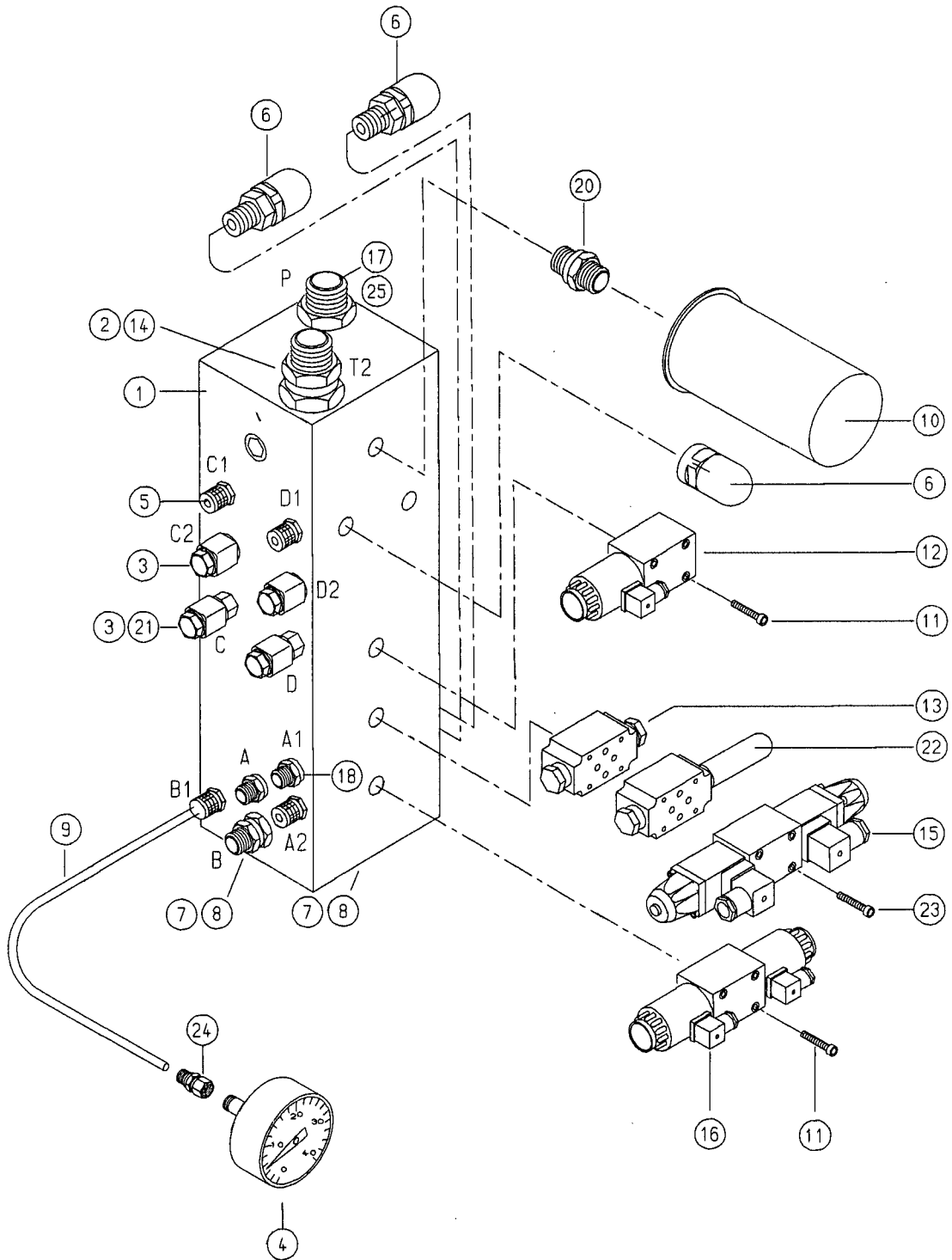
HEAT EXCHANGER - AIR FILTER

Page

9-6.0



Type		Spare Parts List			Page
LP 560/561		Heat Exchanger - Air Filter			9-6.1
Pos.	Part No.	Part Name	Description	Quant.	
1	020 251	Bolt, Allen	DIN 912 M10x25 SS	4	
2	111 386	Exchanger, Heat	LOK T8-01-21.2	1	
3	028 097	O-Ring	116x4	1	
4	121 161	Hose, Hydraulic T	481-15.9-820	1	
5	030 035	Coupling, Straight	MS 1/2"	1	
6	111 818	Filter and Breather Filter	ELF 3-03-1	1	
7	111 004	Valve, Straight		1	
8	030 002	Nipple, Straight	MS 1/2"	1	
9	030 005	Connector, Hose	1/2" MS	2	
10	111 796	Valve, Solenoid Water	230V/50Hz 1/2"	1	
	111 648	Valve, Solenoid Water	115V/60Hz 1/2"	1	



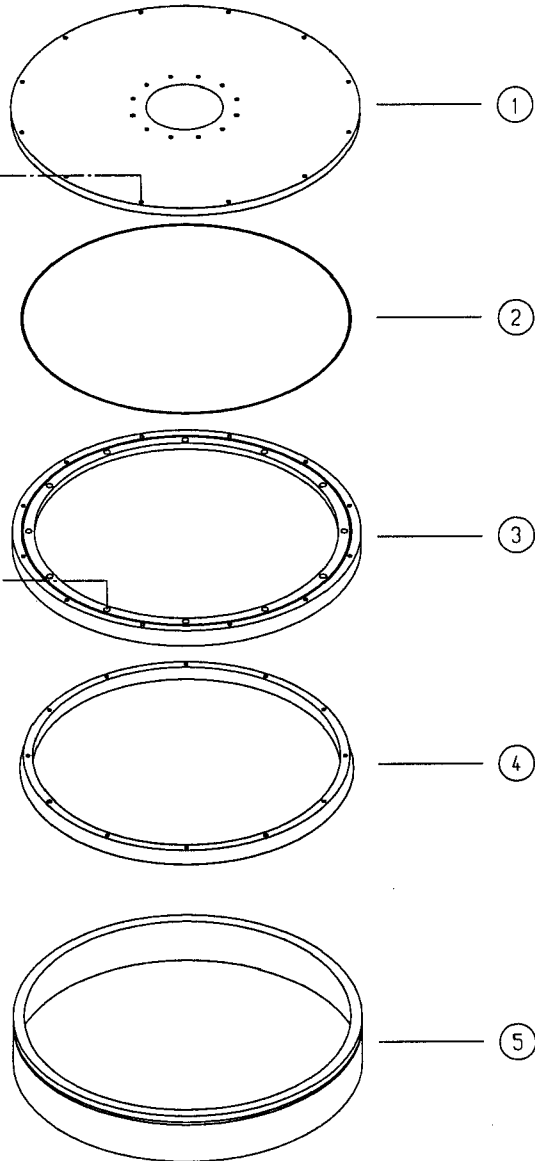
Type		Spare Parts List			Page
LP 560/561		Control Block Assembly			9-7.1
Pos.	Part No.	Part Name	Description	Quant.	
1	111 764	Block, Control		1	
2	111 018	Coupling	GE22 PLR-ED-OMD	1	
3	111 014	Coupling, Elbow	WH 12 PSR KD	4	
4	111 007	Manometer	0-400 bar D63	1	
5	111 023	Connector, Pressure Gauge	EMA 3/R 1/4	6	
6	111 190	Valve, Pressure	DB0 S10 K13/315	3	
7	111 593	Coupling	F40XS 20-1/2"	3	
8	111 038	Coupling, Reducer	RI 1x1/2"	2	
9	111 025	Gauge, Tube	SMA 3x2000	1	
10	111 388	Filter	PC 246 Mic10	1	
11	020 802	Bolt, Allen	DIN 912 M6x40 12.9	8	
12	111 766	Valve	4 WE 10C 5X/AG 24 NZ4	1	
13	111 118	Valve, Non-Return	Z 2 S6 B25X	1	
14	111 017	Coupling, Reducer	RI 1-EDx3/4	1	
15	111 123	Valve	4 WE 6J 5X/AG 24 NZ4	1	
16	111 189	Valve	4 WE 10E5X/AG24 NZ4	1	

Type		Spare Parts List			Page
LP 560/561		Control Block Assembly			9-7.2
Pos.	Part No.	Part Name	Description	Quant.	
17	111 767	Coupling	GE 30 PSR-ED	1	
18	111 013	Coupling	F40XS 12-1/4"	1	
19					
20	030 389	Fitting, Straight	M24x1.5	1	
21	111 016	Coupling, Reducer	R 1/2"x3/8"	2	
	028 109	O-Ring between Control Block and Valves	d = 9.25 mm		
	028 110	O-Ring between Control Block and Valves	d = 12 mm		
	111 433	Valve, Check in Control Block	RVE 10		
	111 434	Valve, Check in Control Block	RVE 16		
22	112 140	Valve, Pressure Reducer	ZDR6DB2- 4x/150YM	1	
23	020 985	Bolt, Allen	DIN 912 M5x130	4	
24	111 047	Fitting		1	
25	112 299	Coupling, Reducer	KOR 30/25-PS	1	

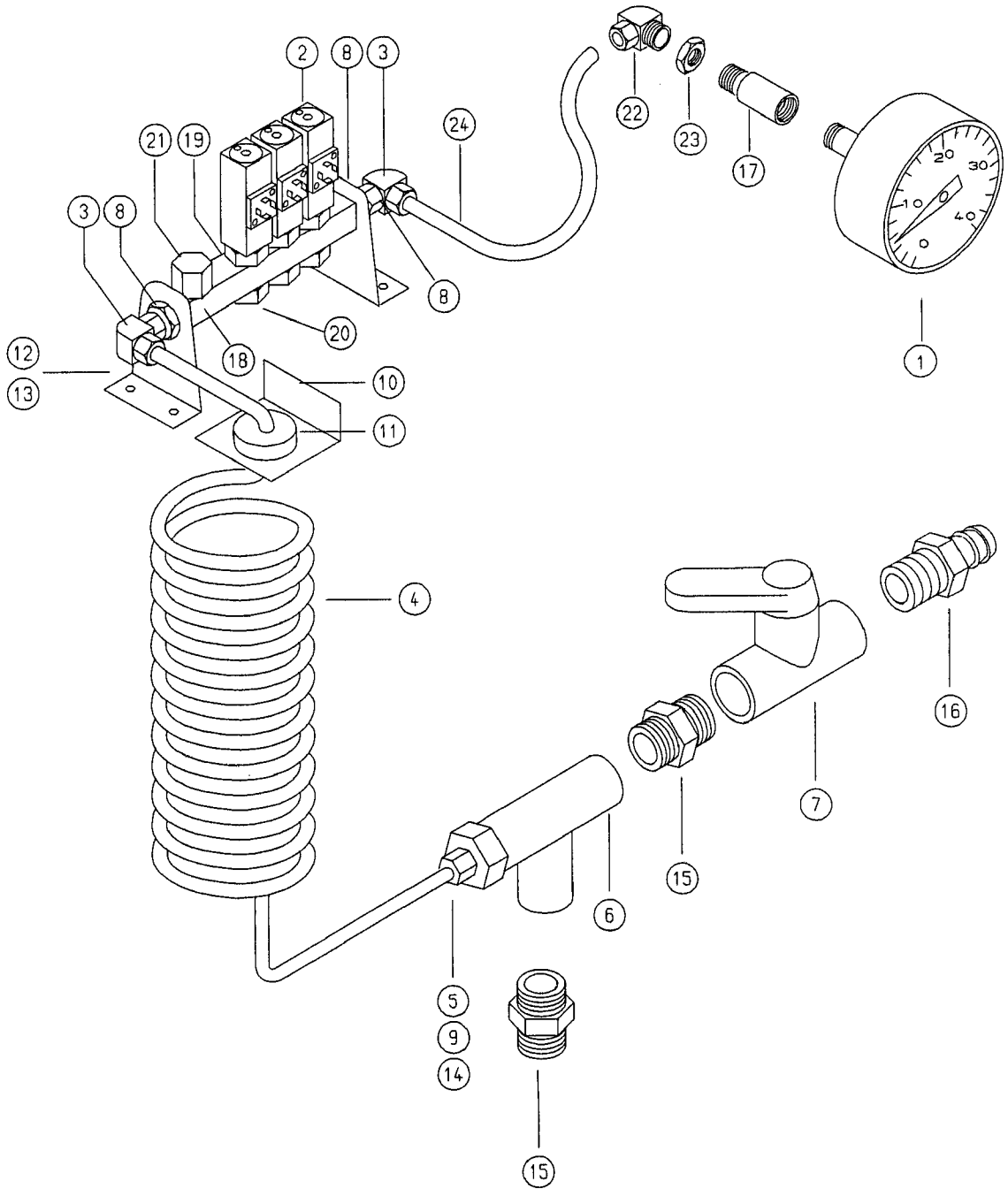
Bolt torque for
ram plate
44 Nm
See operation manual
chapter 7.8



6

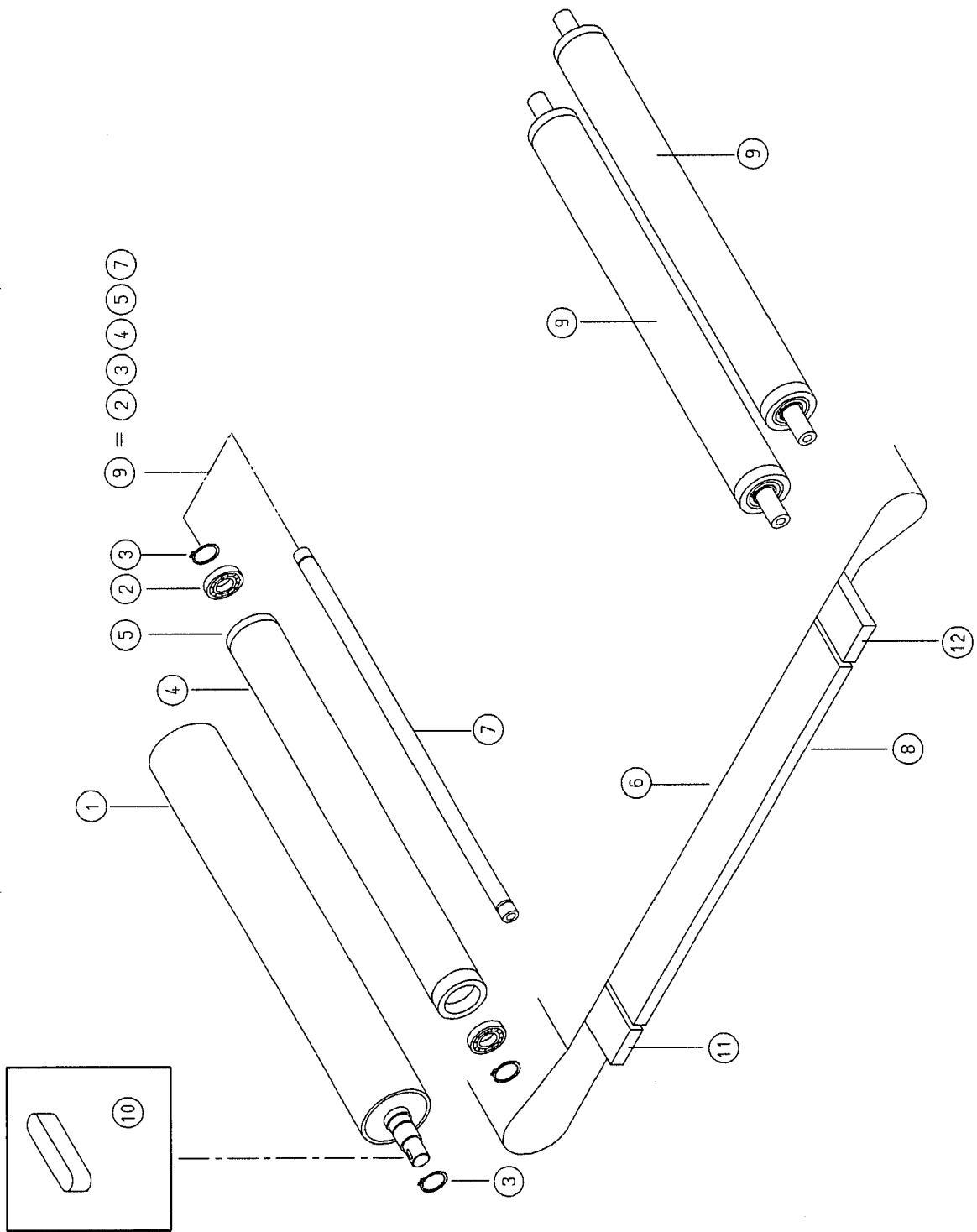


Type		Spare Parts List			Page
LP 560/561		Membrane Assembly			9-8.1
Pos.	Part No.	Part Name	Description	Quant.	
1	212 114-2	Plate, Ram			
2	005 704	O-Ring, Replacement 213 793--	6,5 mm		
	213 793--	O-Ring			
3	212 259-4	Ring, Outer	Bronze		
4	212 257-4	Ring, Inner			
5	212 260-4	Membrane, Replacement 212 387-2			
	212 387-2	Membrane			
6	020 076	Bolt, Allen Replacement 020 164	DIN 912 M10x45 A2	24	
	020 164	Bolt, Allen	DIN 912 M10x40 A2	24	



Type		Spare Parts List		Page
LP 560/561		Pressure Control		9-9.1
Pos.	Part No.	Part Name	Description	Quant.
1	111 006	Manometer	0-40 bar D63	1
2	135 987	Switch, Pressure	D880419	3
3	111 045	Coupling	WE 1/4 LR8 MS	2
4	006 004	Hose, Spiral	8x1.5x250	1
5	111 044	Coupling	GE 8 LR MS	1
6	030 003	Tee	1/2" MS	1
7	111 003	Valve, Ball, Replacement 112 735	1/2" MS	1
	112 735	Valve, Ball	1/2" MS	1
8	111 048	Coupling, Reducer	RI 3/8"-1/4"	2
9	111 032	Spacer	VSH8x1.5PA MS	2
10	210 482-4	Bracket	BL 3x35x80	1
11	111 056	Coupling	SV 8-L MS	1
12	006 002	PA-Hose	d = 8x1x5000	1
13	111 029	Spacer	VSH8x1PA MS	4
14	030 036	Coupling, Reducer	1/2"-1/4" MS	1
15	030 002	Fitting, Straight	1/2" MS	2
16	030 005	Fitting, Barbed	1/2" MS	1
17	110 425-4	Coupling for Manometer		1
18	111 385	Manifold	4-fold	1
19	028 160	O-Ring for 111 935	13x2	4
20	111 935	Bolt, Banjo	R 1/4"	
21	111 164	Bolt, Cap compl.		

Type		Spare Parts List			Page
LP 560/561		Pressure Control			9-9.2
Pos.	Part No.	Part Name	Description	Quant.	
22	111 027	Fitting, Elbow	WE 8LLR Brass	1	
23	020 383	Nut, Hex	DIN 934 M16 A2	1	
24	006 002	Hose	8x1 PA-Natural	2	



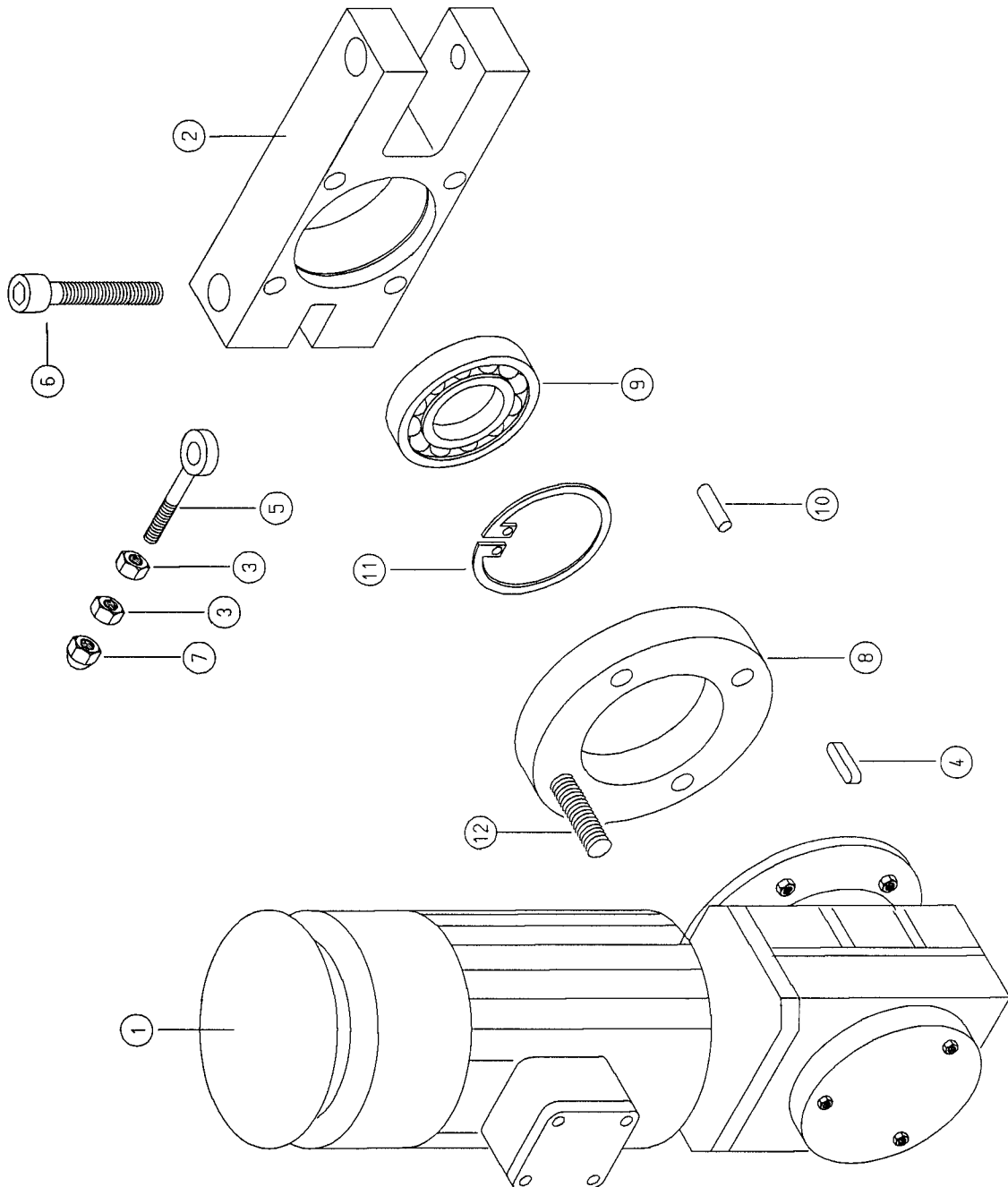
Type		Spare Parts List			Page
LP 560/561		Conveyor Assembly			9-10.1
Pos.	Part No.	Part Name	Description	Quant.	
1	212 025-2	Roller, Drive rubber-coated		1	
2	100 032	Bearing, Ball	6205 2RS SS	6	
3	025 002	Ring, Snap	DIN 471 25x1.2 SS	6	
4	212 044-4	Tube	d = 80x4x825	3	
5	211 488-4	Hub, Nylon		6	
6	122 139	Belt, Conveyor	3410-5x830	1	
	122 142	Belt, Conveyor	4590-5x830	1	
7	212 043-4	Shaft	d = 25x853	3	
8	212 783-2	Plate, Drainage, Replacement 213 760-2		1	
	213 760-2	Plate, Drainage		1	
9	212 045-3	Roller, compl.	d = 80	3	
10	103 155	Key	DIN 6885 6x6x35	1	
11	212 831-2	Stripper, Entrance		1	
12	212 829-2	Stripper, Exit		1	

TYPE LP 560/561

CONVEYOR DRIVE TENSIONER

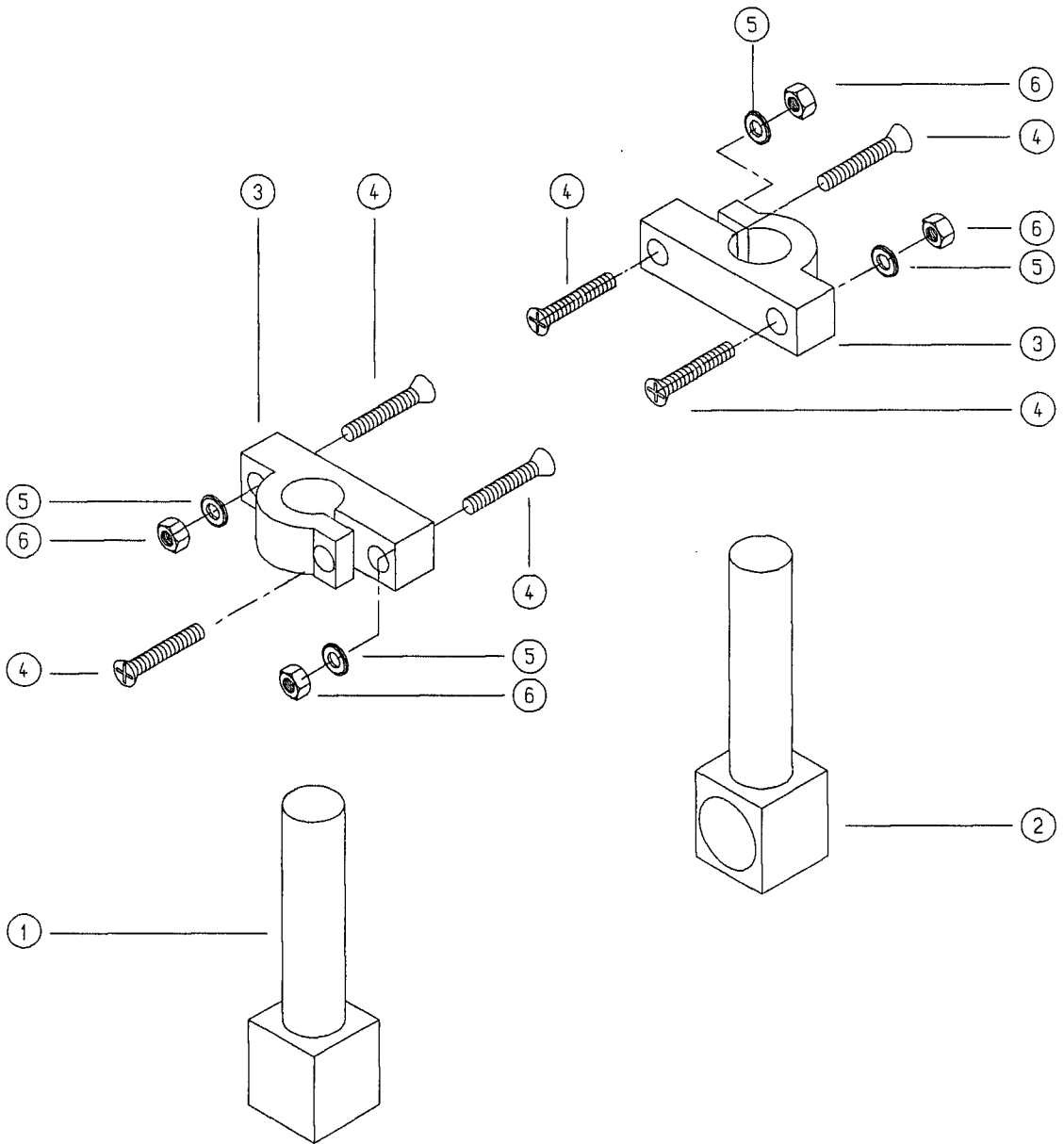
Page

9-11.0

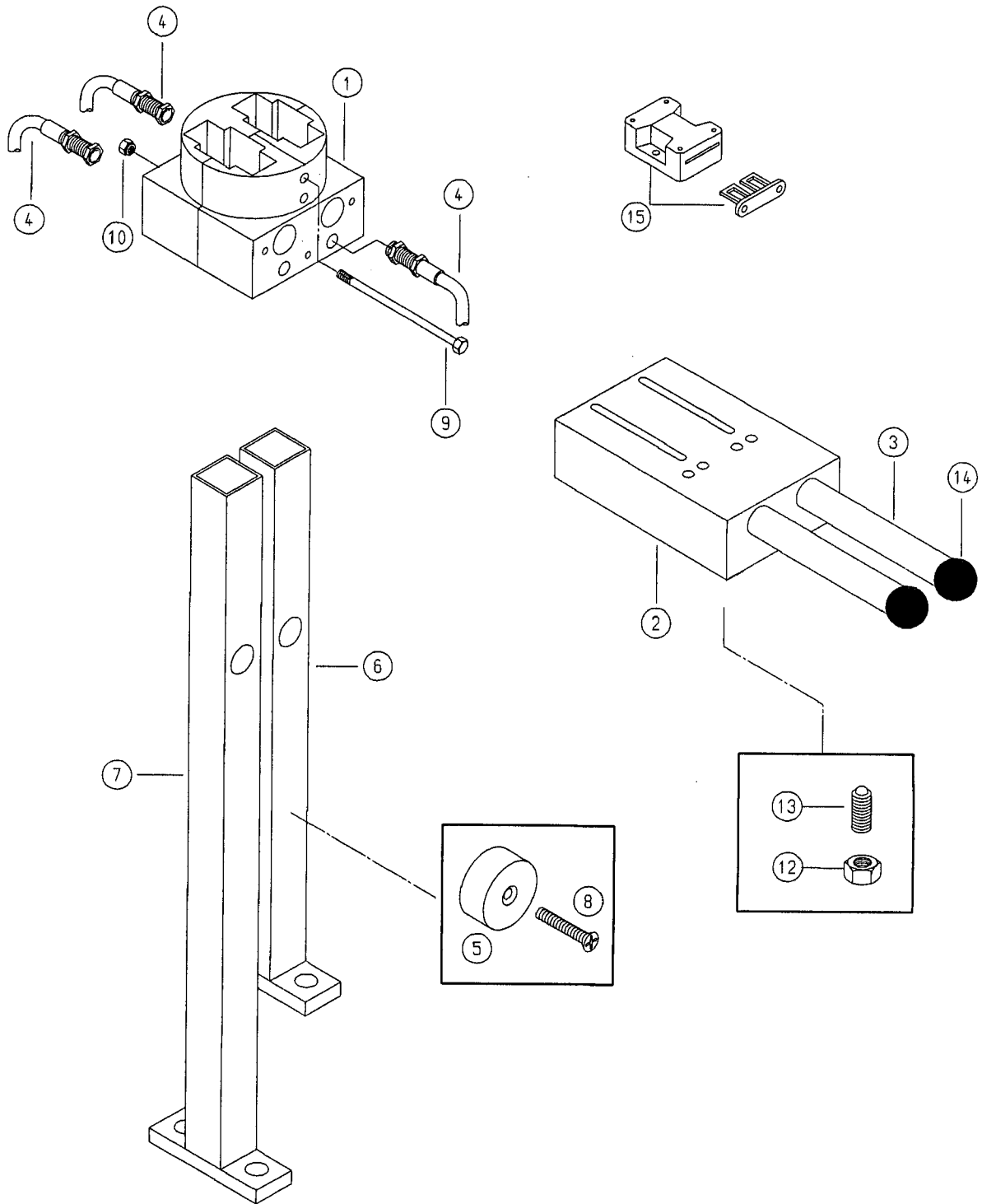


Type		Spare Parts List			Page
LP 560/561		Conveyor Drive Tensioner			9-11.1
Pos.	Part No.	Part Name	Description	Quant.	
1		Gear Motor Please indicate voltage and frequency		1	
2	212 188-3	Bracket, Tensioner		2	
3	020 032	Nut, Hex	DIN 934 M8 A2	4	
4	103 155	Key	DIN 6885 6x6x36	1	
5	020 869	Bolt, Eye	DIN 444 M8x60 A2	2	
6	020 427	Bolt, Allen	DIN 912 M8x50 A2	2	
7	020 033	Nut, Cap	DIN 1587 M8 A2	2	
8	211 009-3	Flange, Gear Motor		1	
9	100 032	Bearing, Ball	6205 2 RS SS	2	
10	020 728	Pin	DIN 7 5x30 m6 A2	2	
11	025 045	Ring, Snap	DIN 472 52x2	2	
12	020 727	Stud	DIN 551 M8x40 A2	4	

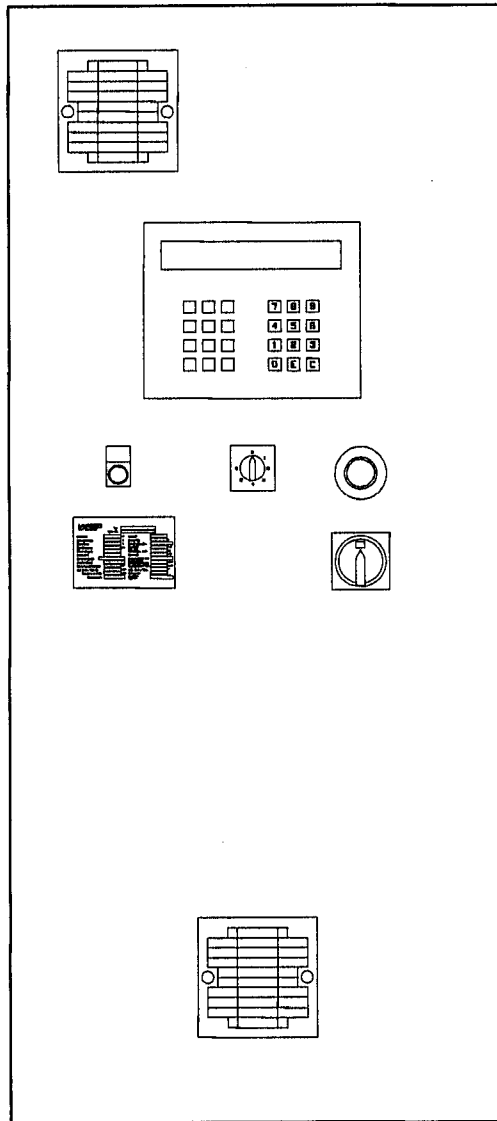
TYPE LP 560/561	FOTOCCELL AND BRACKET	Page 9-12.0
-----------------	-----------------------	----------------



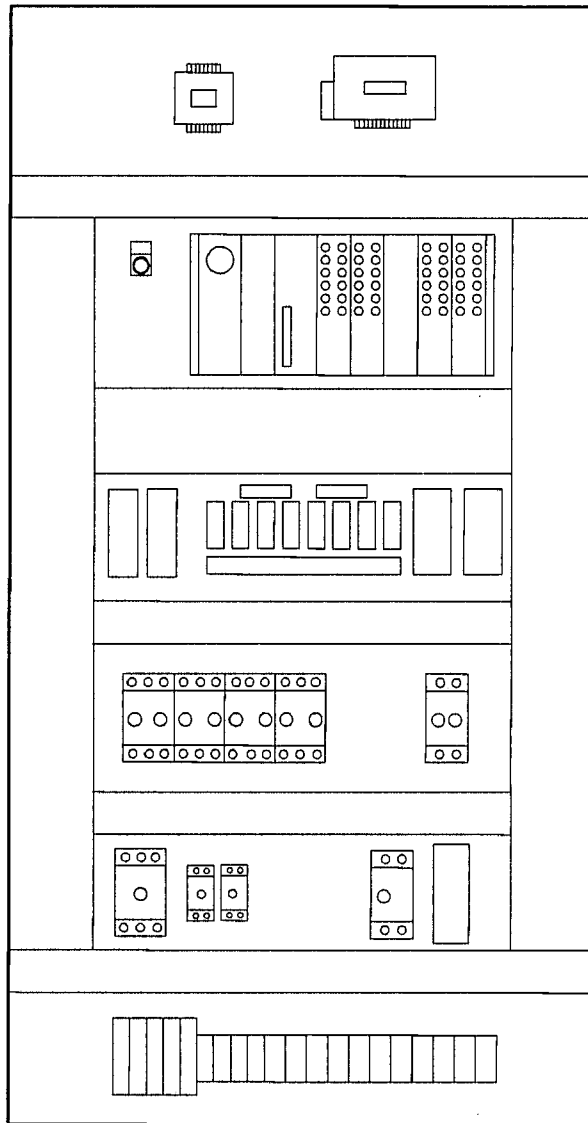
Type		Spare Parts List			Page
LP 560/561		Photocell and Bracket			9-12.1
Pos.	Part No.	Part Name	Description	Quant.	
1	135 843	Transmitter, Photocell	WS 75/2	1	
2	135 844	Receiver, Photocell	WS 75/4	1	
3	135 848	Bracket, Photocell	Alu.	2	
4	020 199	Screw, CS	DIN 965 M4x20 SS	6	
5	020 045	Washer, Flat	DIN 125 4.3 SS	4	
6	020 030	Nut, Hex	DIN 934 M4 SS	4	



Type LP 560/561		Spare Parts List Control Rods and Supports			Page 9-13.1
Pos.	Part No.	Part Name	Description	Quant.	
1	211 500-3	Guide, Split Housing		1	
2		Bracket, Support	Indic. serial no.	1	
3		Rod, Support	Indic. serial no.	2	
4	135 472	Switch, Magnetic	181313	5	
5	136 402	Magnet		5	
6		Rod, Control Ram	Indic. serial no.	1	
7		Rod, Control Basket	Indic. serial no.	1	
8	020 167	Screw, CS	DIN 965 M4x16 SS	6	
9	020 067	Nut, Hex	DIN 931 M8x140	2	
10	020 043	Nut, Hex selflock.	DIN 985 M8 SS	2	
11					
12	020 360	Nut, Hex	DIN 934 M12 SS	2	
13	020 800	Lock, Ball	GN 616-M12-k	2	
14	125 052	Handle, Ball	DIN 319 KU-25-M10-E	2	
15	135 483	Switch, Limit	AZ 15 ZVR	2	

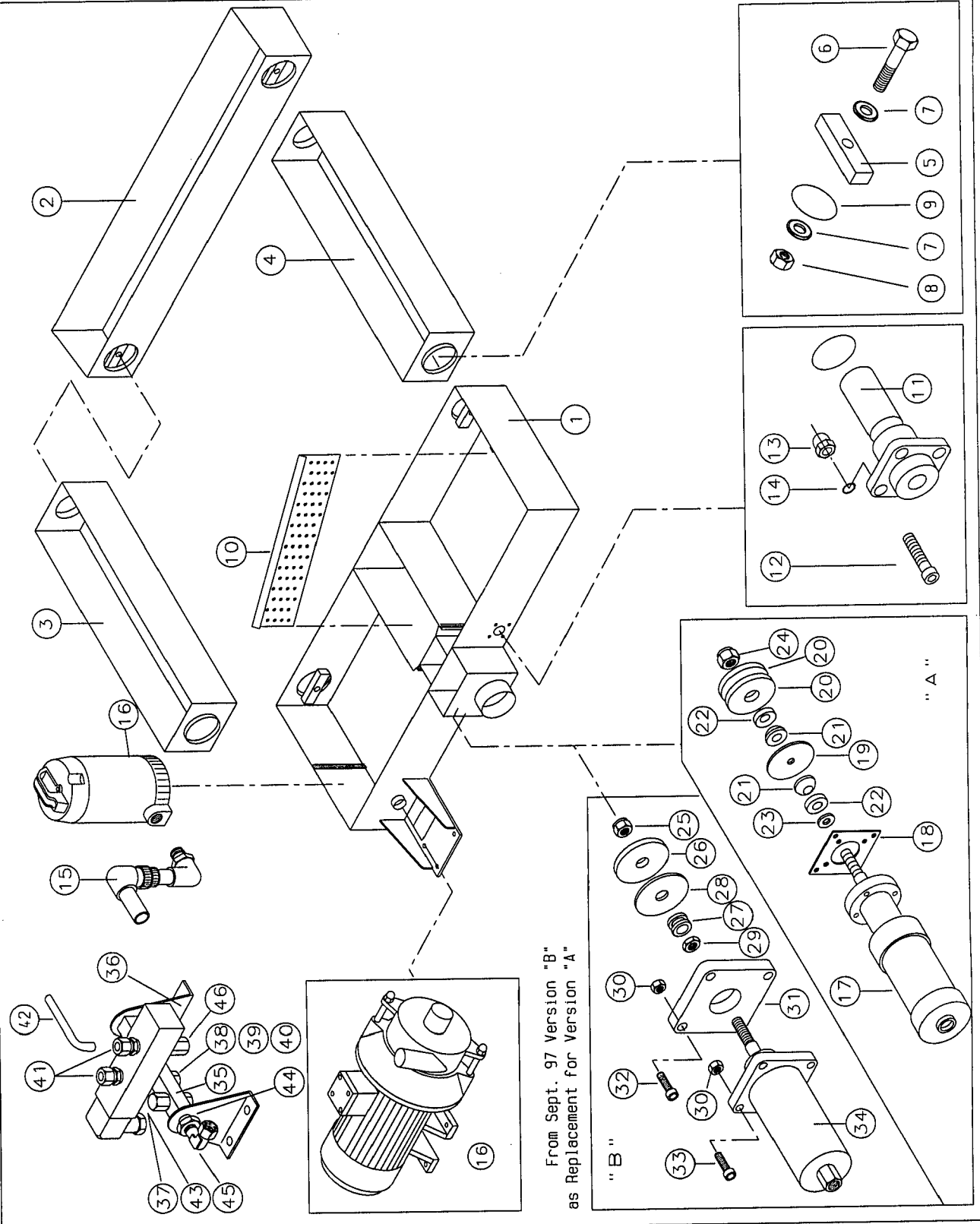


PARTS ARE LISTED IN WIRING DIAGRAM
SUBJECT TO CHANGES WITHOUT NOTIFICATION



PARTS ARE LISTED IN WIRING DIAGRAM

SUBJECT TO CHANGES WITHOUT NOTIFICATION



Type		Spare Parts List			Page
LP 560/561		Water Tank			9-17.1
Pos.	Part No.	Part Name	Description	Quant.	
1		Water tank, Entry side	Indic. serial no.	1	
2		Water tank, Exit side		1	
3		Water tank, left		1	
4		Water tank, right		1	
5	210 116-4	Bracket, Clamping	20x20x110 A2	4	
6	020 170	Bolt, Hex	DIN 933 M10x80 A2	4	
7	020 097	Washer, Flat	DIN 125 10.5 A2	8	
8	020 171	Nut, Hex	DIN 934 M10 A2	4	
9	028 012	O-Ring	105x5	4	
10		Screen, Lint	Indic. serial no.		
11	135 833	Switch, Level	SU/SO	1	
12	020 473	Bolt, Allen	DIN 912 M5x16 A2	4	
13	210 924-4	Nut, Cap	M5 A2	4	
14	028 108	O-Ring	6x1.5	4	
15	212 666-4	Connection, Pump for Pump K7		1	
16		Pump, submersible / Pump, Centrifugal indicate voltage, frequency and Type	0.75kW Indic. serial no.	1	

Type LP 560/561		Spare Parts List Water Tank			Page 9-17.2
Pos.	Part No.	Part Name	Description	Quant.	
17	112 219	Cylinder	A-SE-FA	1	
18	211 997-4	Cover, Cylinder		1	
19	211 998-4	Washer, Seal		1	
20	211 999-4	Seal, Rubber		2	
21	021 038	Washer, Spherical	DIN 6319	2	
22	021 039	Washer, Cup	DIN 6319	2	
23	212 394-4	Washer	22x5	1	
24	021 105	Nut, Hex selflock.	DIN 985 M10 A2	1	
	111 800	Valve, Solenoid Battery	DC 24V	1	
	111 910	Valve, Solenoid	DC 24V	1	
		Notice: Pos 17 - 24 Repl. 213 075-3			
	213 075-3	Modification Kit for Drain Valve to Version B consists of Pos. 25 - 46.			
25	021 207	Nut, Hex selflock.	DIN 985 M10 A2	1	
26	211 999-4	Seal	Type 571	1	
27	137 037	Grommet		1	
28	213 077-4	Washer, Seal	Type 571	1	
29	021 208	Nut, Hex	DIN 439 M10 A2	1	
30	020 420	Nut, Hex selflock.	DIN 985 M6 A2	6	
31	213 076-4	Flange, Cylinder	Type 571	1	

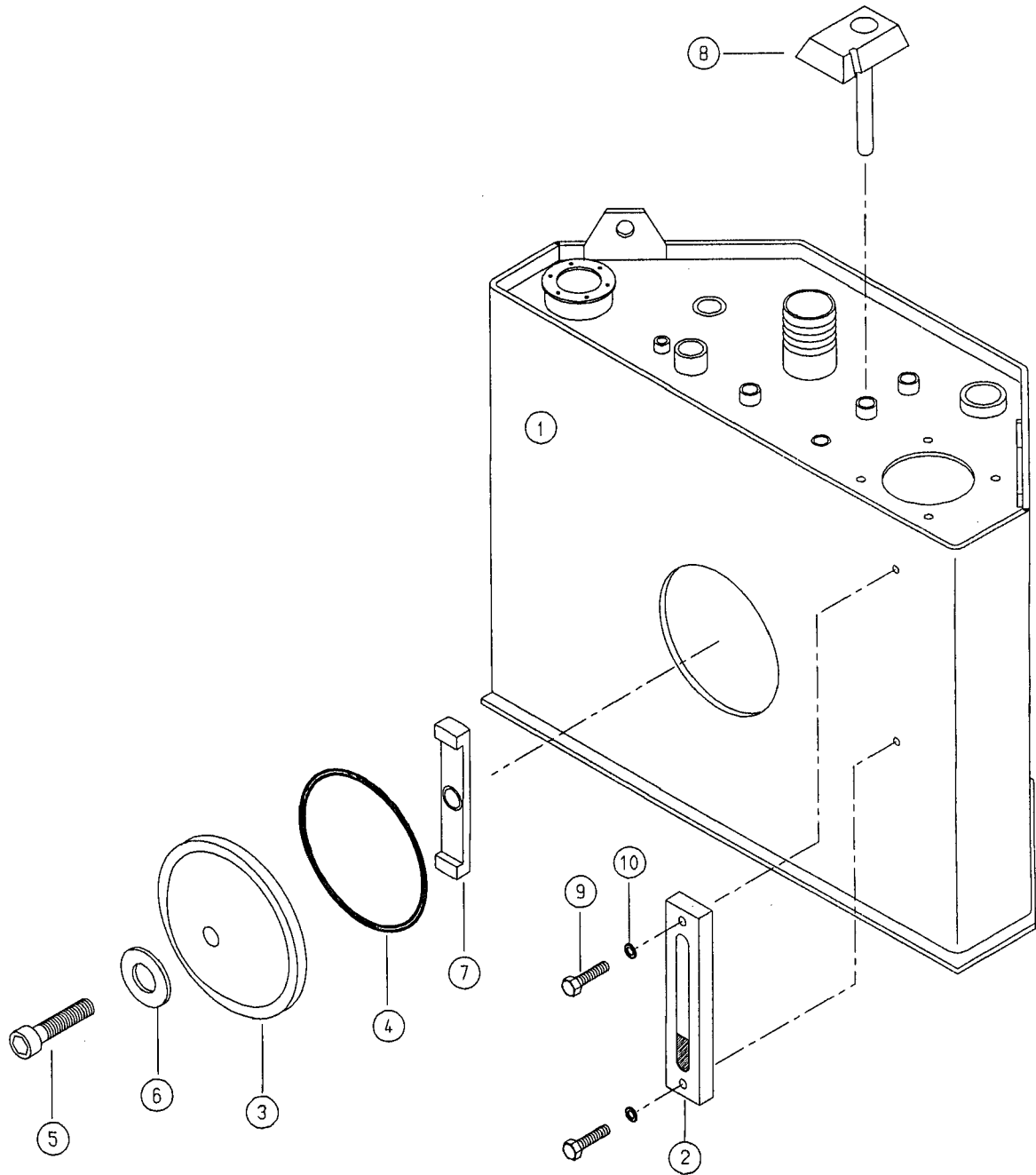
Type		Spare Parts List			Page
LP 560/561		Water Tank			9-17.3
Pos.	Part-No.	Part Name	Description	Quant.	
32	020 003	Bolt, Allen	DIN 912 M6x20 A2	4	
33	020 004	Bolt, Allen	DIN 912 M6x25 A2	2	
34	112 496	Cylinder	DFK-25-50P	1	
35	112 303	Bracket, Valve Solenoid Twin	1xfree, 1xblind	1	
36	112 253	Holder, Solenoid Battery		2	
37	112 392	Valve, Solenoid 4/2	10 bar, 24 VDC	1	
38	111 941	Bolt, Banjo	NG6, R 1/8"	1	
39	028 160	O-Ring	13x2	1	
40	028 287	Seal, Lip		1	
41	112 501	Fitting	CK-1/8-PK-4	2	
42	006 082	Hose, Plastic	PU-4 blue	10	
43	112 034	Muffler for Valve Battery	G 1/8"	1	
44	111 048	Nipple Reducer	RI 3/8"x1/4"	1	
45	111 082	Fitting, Elbow	WE 8 R 1/4	1	
46	111 034	Fitting	GE 8 LLR 1/8	1	
Pos: 35, 36, 38, 39, 40, 44, 45 obsolete as of Dec. 97					

TYPE LP 560/561

OIL TANK

Page

9-18.0



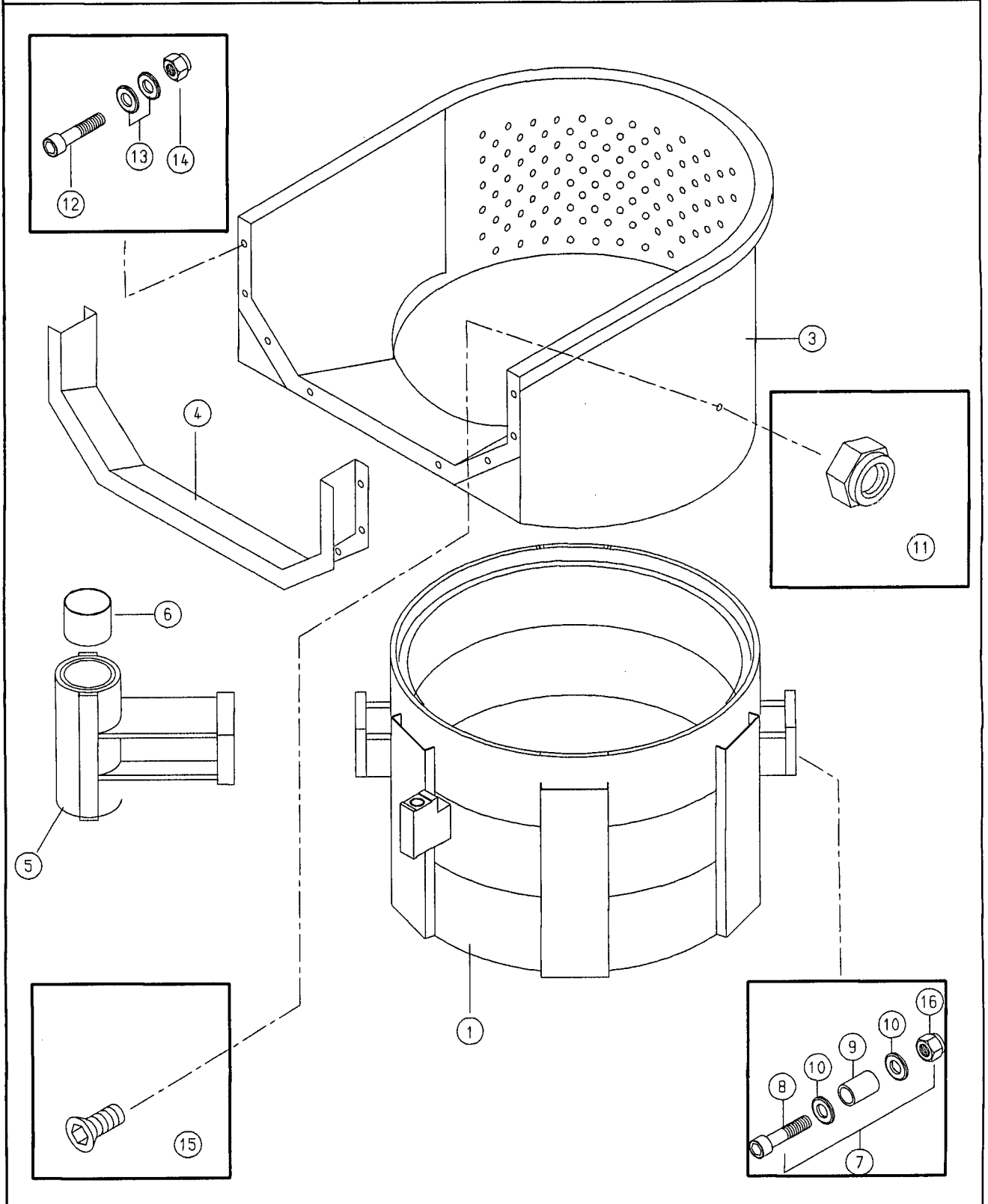
Type		Spare Parts List			Page
LP 560/561		Oil Tank			9-18.1
Pos.	Part No.	Part Name	Description	Quant.	
1	212 705-1	Tank, Oil		1	
2	125 053	Gauge, Level Oil	GN-650-254-A	1	
3	111 005	Cover, Cleaning	RD 235	1	
4	028 008	O-Ring	214x5 oil resist.	1	
5	020 012	Bolt, Allen	DIN 912 M16x50	3	
6	028 007	Usit-Ring	U 18.7x26x1.5	1	
7	212 295-4	Strap, Locking		1	
8	135 001	Thermostat	0-90° C	1	
9	135 472	Switch, Magnetic	181313	2	

TYPE LP 560/561

BASKET

Page

9-19.0



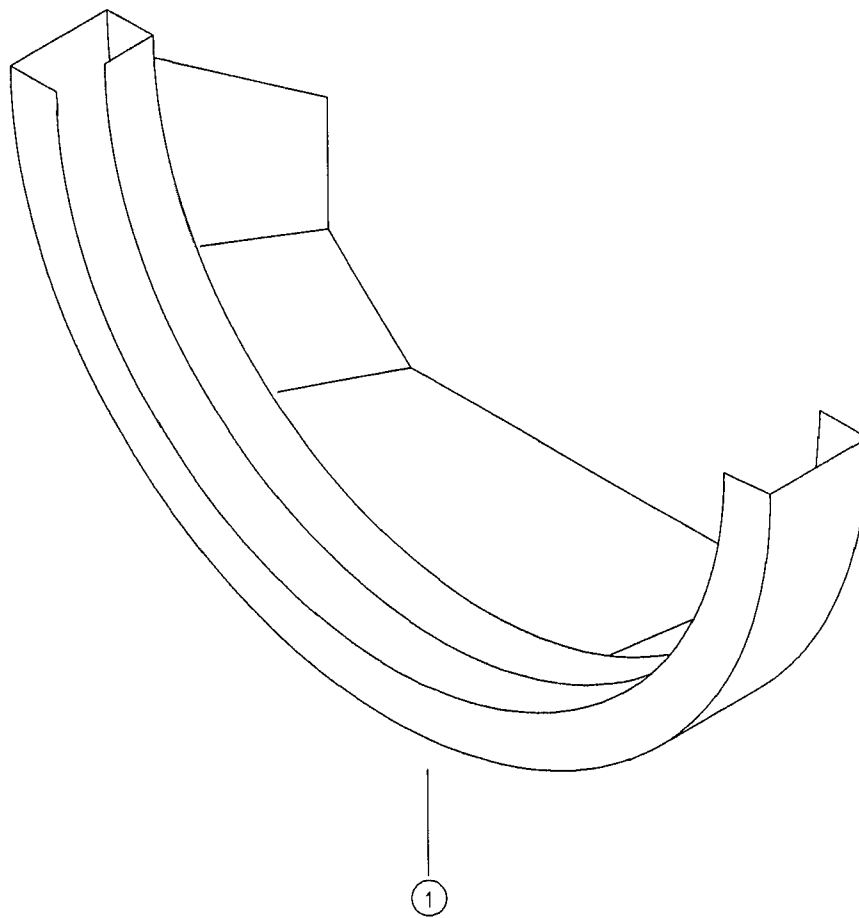
Type		Spare Parts List			Page
LP 560/561		Basket			9-19.1
Pos.	Part No.	Part Name	Description	Quant.	
1	212 855-1	Basket, Frame	Type 560	1	
2	212 646-1	Basket, Frame	Type 561	1	
3	212 669-1	Basket, Upper		1	
4	212 785-2	Spacer		1	
5	212 903-2	Guide, Basket	Alu.	2	
6	100 147	DU-Bushing	105/100/60	4	
7	212 654-4	Fastener compl.		4	
8	020 210	Fastener	M16x80	4	
9	211 249-4	Bushing, Spacer	20x3x20 Brass	16	
10	020 048	Washer	DIN 125 17 SS	16	
11	020 470	Nut, Hex selflock.	DIN 985 M8 SS	16	
12	020 003	Bolt, Allen	DIN 912 M6x20 SS	8	
13	020 046	Washer	DIN 125 6.4 SS	16	
14	020 420	Nut, Hex selflock.	DIN 985 M6 SS	8	
15	020 073	Screw, CS	DIN 7991 M8x25 SS	16	
16	020 852	Nut, Hex selflock.	DIN 980 M16 SS	16	

TYPE LP 560/561

CHUTE

Page

9-20.0



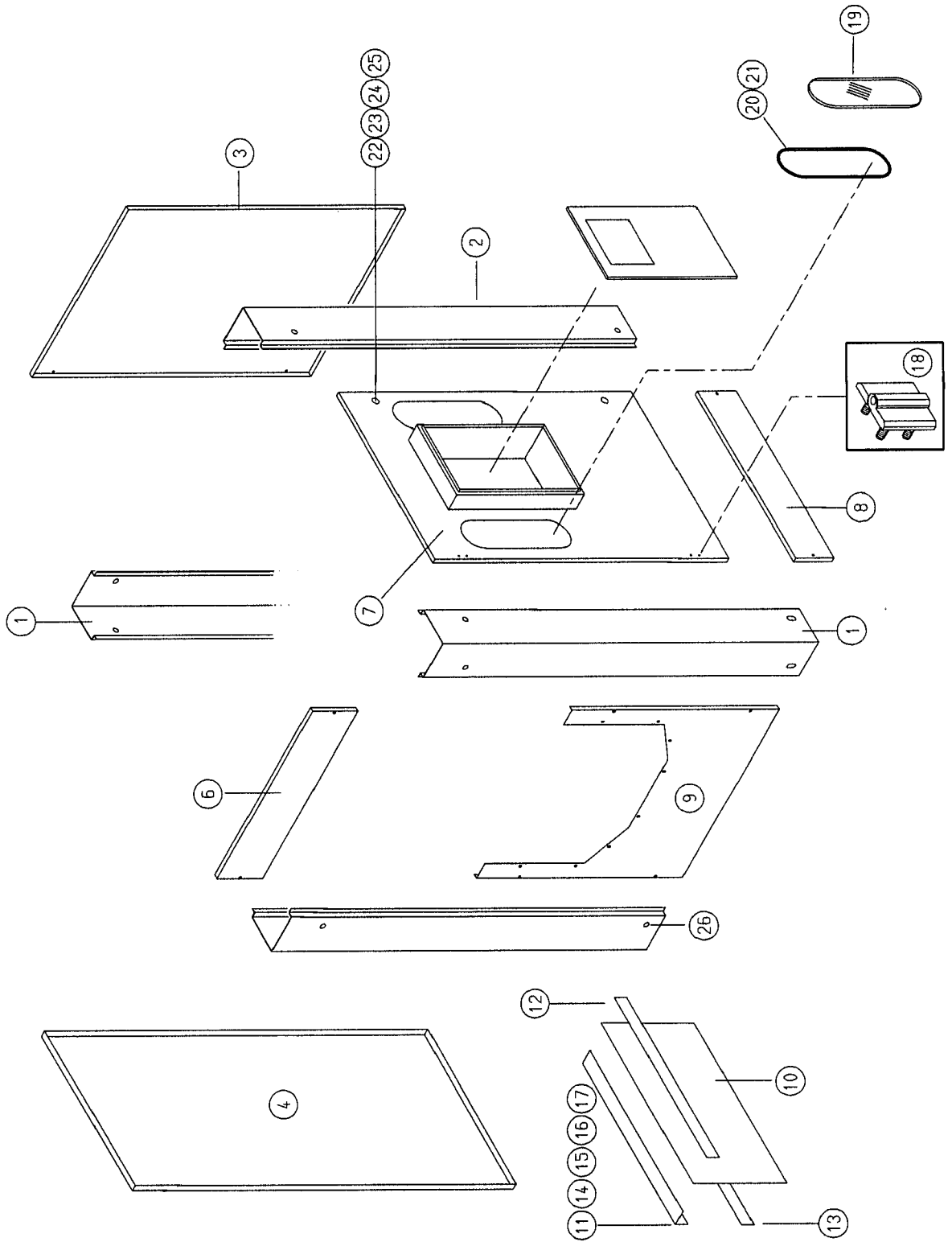
Type		Spare Parts List			Page
LP 560/561		Chute			9-20.1
Pos.	Part No.	Part Name	Description	Quant.	
1		Chute	Indic. serial no.	1	
2	028 003	Sealant	310ml cartridge	1	

TYPE LP 560/561

PANELS

Page

9-21.0



Type LP 560/561		Spare Parts List Panels		Page 9-21.1
Pos.	Part No.	Part Name	Description	Quant.
1	212 867-2	Panel, Corner Entry Left	Type 560	2
	212 801-2	Panel, Corner Entry Right	Type 561	2
2	212 868-2	Panel, Corner Exit Left	Type 560	2
	212 802-2	Panel, Corner Exit Right	Type 561	2
3	212 872-5	Door	Type 560	1
	212 798-5	Door	Type 561	1
4	212 873-3	Panel Exit	Type 560	1
	212 808-3	Panel Exit	Type 561	1
5				
6	212 806-3	Panel, Side Top		3
7	212 871-5	Door Control Cabinet	Type 560	1
	212 797-5	Door Control Cabinet	Type 561	1
8	212 807-3	Panel Side Bottom		2
9	212 874-3	Panel Chute	Type 560	1
	212 803-3	Panel Chute	Type 561	1
10	212 884-4	PVC-Curtain	Type 560	1
	212 811-4	PVC-Curtain	Type 561	1
11	212 809-4	Angle for PVC-Curtain		1
12	212 810-4	Strap PVC-Curtain		1
13	212 812-4	Strap PVC-Curtain		1

Type		Spare Parts List			Page
LP 560/561		Panels			9-21.2
Pos.	Part No.	Part Name	Description	Quant.	
14	020 571	Bolt, Carriage	DIN 603 M6x20	10	
15	020 420	Nut, Hex selflock.	DIN 985 M6	10	
16	020 349	Bolt, Hex	DIN 933 M6x16 A2	5	
17	020 046	Washer	DIN 125 6,4 A2	6	
18	121 002	Hinge, Bolt-On	1056 - U 12	10	
19	122 001-4	Pane	4x140x490	1	
20	005 701	Profile, Rubber	1010400	1	
21	005 702	Profile, Filler	1040100	1	
22	121 060	Tongue	1000 - 27	4	
23	121 138	Lever	1000 - U 1	4	
24	121 061	Housing, Lock	1000 - U 221	4	
25	121 139	Key, Square	7 mm	1	
26	210 311-4	Fastener		16	